

Wall mounted receptacle

Part number: 1723



MENNEKES
Elektrotechnik GmbH & Co. KG

Aloys-Mennekes-Straße 1
57399 Kirchhundem
GERMANY

www.MENNEKES.org

Product Description

- screwless, with insulation displacement technology TwinCONTACT
- internal fixing
- 25° inclination
- enclosure can be turned 180°
- suitable for through wiring

Technical Details

| Wall mounted receptacle | 1723 |
|-----------------------------------|--------------------------------------------------|
| Ampere | 16A |
| Number of poles | 4p |
| Clock position | 9h |
| Nominal voltage AC | 230V |
| Nominal frequency | 50 - 60 Hz |
| Protection type IP | IP44 |
| Contact carrier | standard |
| X-CONTACT | no |
| Connection | insulation displacement technology - TwinCONTACT |
| Screw drive external screws | PZ2, slot |
| Pilot contact | without pilot contact |
| Pilot contact switch | no |
| Cable entry at the top | 1 x M20 |
| Cable entry at the bottom | 1 x M20 (blind) |
| Blind cable entry at the rear | no |
| Enclosure base can be turned 180° | yes |
| Insertion direction | angled |
| Inclination | 25° |
| Type of mounting | internal fixing |
| Highly resistant to chemicals | no |
| Military version | no |
| Lockable | no |
| Strip length solid conductor | 12 mm |
| Conductor cross-section min. | 1.5 mm ² |

| | |
|------------------------------|-------------------|
| Wall mounted receptacle | 1723 |
| Conductor cross-section max. | 4 mm ² |
| Weight (net) | 210 g |
| Packaging unit | 10 pcs |
| Quantity per pallet | 660 pcs |
| EAN / identification number | 4015394217602 |

| Permissible ambient conditions | | |
|-----------------------------------|--------|-------|
| | Min. | Max. |
| Permissible ambient temperature | -25 °C | 40 °C |
| Average temperature over 24 hours | | 35 °C |

| Material properties | |
|---------------------|-----------------------------------|
| Base | PA6 light grey [similar RAL 7035] |
| Upper part | PA6 light grey [similar RAL 7035] |
| Hinged lid | PA6 blue [similar RAL 5007] |
| External screws | steel galvanised |

Material resistance

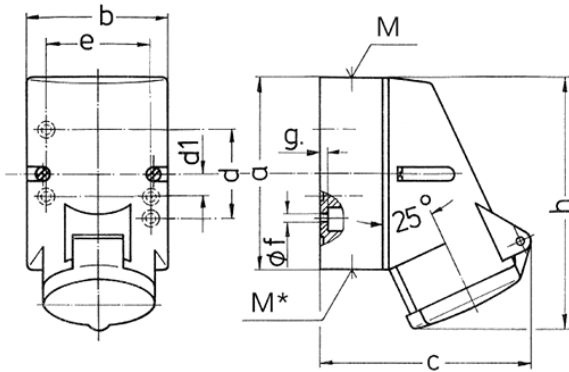
The material resistance overview can be found on the website in the section “Knowledge” - “Product knowledge” - “Materials”.

| Material and environmental properties | |
|---------------------------------------|-----|
| RoHS 2011/65/EU incl. 2015/863/EU | ✓ |
| POP regulation (EU) 2019/1021 | ✓ |
| Halogen-free | yes |

Regulations and Standards

| | |
|---------------------------|-------------------------|
| Norm | DIN EN IEC 60309-2 |
| Declaration of Conformity | CE |
| Test label | CB Zertifikat, VDE, EAC |

Dimensional Drawing



| Drawing | Amp. | 16 | | |
|------------|---------------------------------------------------------------|---------------------------|-----|-----|
| | | Poles | | |
| 1 MB 209 | | 3 | 4 | 5 |
| Dim. in mm | a | 87 | 100 | 100 |
| | b | 64 | 75 | 75 |
| | c | 99 | 110 | 113 |
| | d | 40 | - | - |
| | d1 | - | 11 | 11 |
| | e | 50 | 59 | 59 |
| | f | 4.5 | 5 | 5 |
| | g | 4 | 4 | 4 |
| | h | 115 | 125 | 128 |
| | M | 20 | 20 | 20 |
| | M* | M20 (blind) to be cut out | | |
| | Max. cable diam. (mm) | 15 | 15 | 15 |
| | Terminal for cond. cross section (mm ²) min.-max. | 1.5 | 1.5 | 1.5 |
| | -4 | -4 | -4 | |