

# Panel mounted receptacle

Part number: 233A



**MENNEKES**  
Elektrotechnik GmbH & Co. KG

Aloys-Mennekes-Straße 1  
57399 Kirchhundem  
GERMANY

[www.MENNEKES.org](http://www.MENNEKES.org)

# Product Description

- screw connection technology
- straight insertion direction

# Technical Details

| Panel mounted receptacle  | 233A                  |
|---|-----------------------|
| Ampere  | 32A                   |
| Number of poles   | 4p                    |
| Clock position  | 9h                    |
| Nominal voltage AC  | 230V                  |
| Nominal frequency   | 50 - 60 Hz            |
| Protection type IP  | IP67                  |
| Contact carrier   | standard              |
| X-CONTACT   | no                    |
| Connection  | screw terminals       |
| Contact screw drive   | PZ2, slot             |
| Pilot contact   | without pilot contact |
| Pilot contact switch  | no                    |
| Flange dimensions   | 85 x 75 mm            |
| Hole spacings   | 60 x 60 mm            |
| Insertion direction   | straight              |
| Highly resistant to chemicals   | no                    |
| Military version  | no                    |
| Tightening torque connection terminal for cable cross-section 1,0 - 1,5 mm <sup>2</sup> | 0.6 Nm                |
| Tightening torque connection terminal for cable cross-section 2,5 - 4,0 mm <sup>2</sup> | 0.8 Nm                |
| Tightening torque connection terminal for cable cross-section 6 - 10 mm <sup>2</sup>    | 1.2 Nm                |
| Strip length PH + N flexible conductor  | 12 - 17 mm            |
| Strip length PE flexible conductor  | 12 - 17 mm            |
| Strip length PH + N solid conductor   | 12 - 17 mm            |
| Strip length PE solid conductor   | 12 - 17 mm            |

|                                 |                     |
|---------------------------------|---------------------|
| <b>Panel mounted receptacle</b> | <b>233A</b>         |
| Conductor cross-section min.    | 2.5 mm <sup>2</sup> |
| Conductor cross-section max.    | 10 mm <sup>2</sup>  |
| Weight (net)                    | 293 g               |
| Packaging unit                  | 10 pcs              |
| Quantity per pallet             | 660 pcs             |
| EAN / identification number     | 4015394001287       |

| Permissible ambient conditions    |        |       |
|-----------------------------------|--------|-------|
|                                   | Min.   | Max.  |
| Permissible ambient temperature   | -25 °C | 40 °C |
| Average temperature over 24 hours |        | 35 °C |

| Material properties |  |
|---------------------|--|
| Housing             | PA6 light grey [similar RAL 7035]  |
| Hinged lid          | PA6 blue [similar RAL 5007]<br>TPE black [similar RAL 9005]<br>PBT/PC squirrel grey [similar RAL 7000] |

**Material resistance**

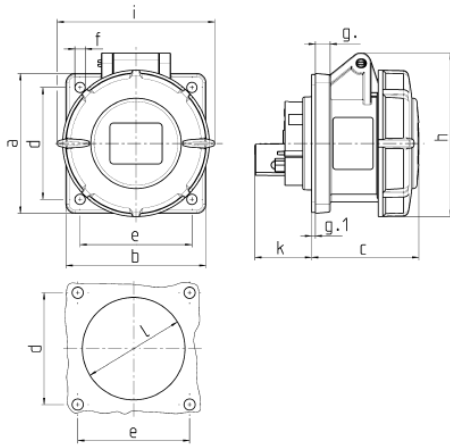
The material resistance overview can be found on the website in the section “Knowledge” - “Product knowledge” - “Materials”.

| Material and environmental properties |     |
|---------------------------------------|-----|
| RoHS 2011/65/EU incl. 2015/863/EU     | ✓   |
| POP regulation (EU) 2019/1021         | ✓   |
| Halogen-free                          | yes |

Regulations and Standards

|                           |                              |
|---------------------------|------------------------------|
| Norm                      | DIN EN IEC 60309-2           |
| Declaration of Conformity | CE                           |
| Test label                | CB Zertifikat, VDE, EAC, CQC |

# Dimensional Drawing



| Drawing<br>1 MB 141  | Amp.<br>Poles | 16        |           |           | 32         |            |            |
|--|---------------|-----------|-----------|-----------|------------|------------|------------|
|  |               | 3         | 4         | 5         | 3          | 4          | 5          |
| Dim. in mm   | a             | 75        | 75        | 75        | 85         | 85         | 85         |
|  | b             | 75        | 75        | 75        | 75         | 75         | 75         |
|  | c             | 60        | 61        | 61        | 70         | 70         | 72         |
|  | d             | 60        | 60        | 60        | 60         | 60         | 60         |
|  | e             | 60        | 60        | 60        | 60         | 60         | 60         |
|  | f             | 5.5       | 5.5       | 5.5       | 5.5        | 5.5        | 5.5        |
|  | g.            | 8         | 8         | 8         | 8          | 8          | 8          |
|  | g.1           | 2         | 2         | 2         | 2          | 2          | 2          |
|  | h             | 83        | 88        | 95        | 99         | 99         | 105        |
|  | i             | 78        | 85        | 96        | 103        | 103        | 110        |
|  | k             | 31        | 32        | 32        | 39         | 39         | 39         |
|  | l             | 43        | 52        | 54        | 58         | 58         | 65         |
| Terminal for cond. cross<br>section (mm <sup>2</sup> ) min.-max. |               | 1.5<br>—4 | 1.5<br>—4 | 1.5<br>—4 | 2.5<br>—10 | 2.5<br>—10 | 2.5<br>—10 |