

Wall mounted receptacle

Part number: 1835



MENNEKES
Elektrotechnik GmbH & Co. KG

Aloys-Mennekes-Straße 1
57399 Kirchhundem
GERMANY

www.MENNEKES.org

Product Description

- screw connection technology
- external fixing
- 15° inclination

Technical Details

Wall mounted receptacle	1835
Ampere	16A
Number of poles	3p
Clock position	4h
Nominal voltage AC	20 - 25V, 40 - 50V
Nominal frequency	100 - 200 Hz
Protection type IP	IP44
Contact carrier	standard
X-CONTACT	no
Connection	screw terminals
Contact screw drive	PZ2, slot
Screw drive external screws	PZ2, slot
Pilot contact	without pilot contact
Pilot contact switch	no
Cable entry at the top	1 x M25
Blind cable entry at the rear	yes
Enclosure base can be turned 180°	no
Insertion direction	angled
Inclination	15°
Type of mounting	external fixing
Highly resistant to chemicals	no
Military version	no
Lockable	no
Tightening torque connection terminal for cable cross-section 1,0 - 1,5 mm ²	0.6 Nm
Tightening torque connection terminal for cable cross-section 2,5 - 4,0 mm ²	0.8 Nm

Wall mounted receptacle	1835
Tightening torque connection terminal for cable cross-section 6 - 10 mm ²	1.2 Nm
Strip length solid conductor	12 - 17 mm
Conductor cross-section min.	4 mm ²
Conductor cross-section max.	10 mm ²
Weight (net)	209 g
Packaging unit	10 pcs
Quantity per pallet	880 pcs
EAN / identification number	4015394012696

Permissible ambient conditions		
	Min.	Max.
Permissible ambient temperature	-25 °C	40 °C
Average temperature over 24 hours		35 °C

Material properties	
Housing	PC/PET light grey [similar RAL 7035]
Front part	PA6 green [similar RAL 6010]
Hinged lid	PC/PET light grey [similar RAL 7035]
External screws	steel galvanised

Material resistance

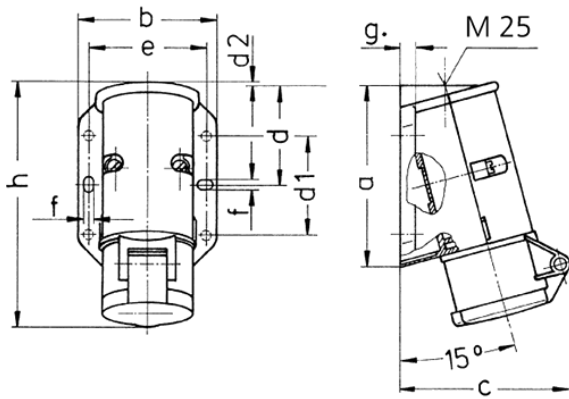
The material resistance overview can be found on the website in the section “Knowledge” - “Product knowledge” - “Materials”.

Material and environmental properties	
RoHS 2011/65/EU incl. 2015/863/EU	✓
POP regulation (EU) 2019/1021	✓
Halogen-free	yes

Regulations and Standards

Norm	DIN EN IEC 60309-2
Declaration of Conformity	CE
Test label	EAC, CQC

Dimensional Drawing



Drawing 1 MB 294	Amp. Poles	16		32	
		2	3	2	3
Dim. in mm	a	96	96	96	96
	b	73	73	73	73
	c	90	90	90	90
	d	53	53	53	53
	d1	52	52	52	52
	d2	2	2	2	2
	e	62	62	62	62
	f	5.3	5.3	5.3	5.3
	g	8	8	8	8
	h	129	129	129	129
Terminal for cond. cross section (mm ²) min.-max.		4	4	4	4
		-10	-10	-10	-10