

Panel mounted receptacle

Part number: 1123A



MENNEKES
Elektrotechnik GmbH & Co. KG

Aloys-Mennekes-Straße 1
57399 Kirchhundem
GERMANY

www.MENNEKES.org

Product Description

- frame terminals
- X-CONTACT
- straight insertion direction
- rubberised bayonet ring

Technical Details

Panel mounted receptacle	1123A
Ampere	63A
Number of poles	4p
Clock position	9h
Nominal voltage AC	230V
Nominal frequency	50 - 60 Hz
Protection type IP	IP67
Contact carrier	standard
X-CONTACT	yes
Connection	frame terminals
Contact screw drive	PZ2, slot
Pilot contact	without pilot contact
Pilot contact switch	no
Flange dimensions	107 x 100 mm
Hole spacings	85 x 77 mm
Insertion direction	straight
Highly resistant to chemicals	no
Military version	no
Tightening torque connection terminal	2 Nm
Conductor cross-section min.	6 mm ²
Conductor cross-section max.	25 mm ²
Weight (net)	604 g
Packaging unit	5 pcs
Quantity per pallet	330 pcs
EAN / identification number	4015394007524

Permissible ambient conditions

	Min.	Max.
Permissible ambient temperature	-25 °C	40 °C
Average temperature over 24 hours		35 °C

Material properties

Housing	PC light grey [similar RAL 7035]
Hinged lid	PBT/PC blue [similar RAL 5007]
	TPE black [similar RAL 9005]
	PBT/PC squirrel grey [similar RAL 7000]
	TPE anthracite [similar RAL 7016]

Material resistance

The material resistance overview can be found on the website in the section “Knowledge” - “Product knowledge” - “Materials”.

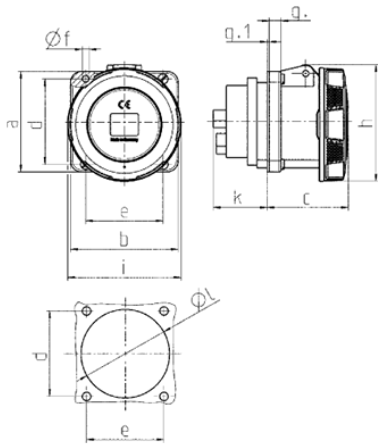
Material and environmental properties

RoHS 2011/65/EU incl. 2015/863/EU	✓
POP regulation (EU) 2019/1021	✓
Halogen-free	no

Regulations and Standards

Norm	DIN EN IEC 60309-2
Declaration of Conformity	CE
Test label	EAC, CQC

Dimensional Drawing



Drawing 1 MB 212/258	Amp. Poles	63			125	
		3	4	5	4	5
Dim. in mm	a	107	107	107	130	130
	b	100	100	100	130	130
	c	81	81	81	119	119
	d	85	85	85	104	104
	e	77	77	77	104	104
	f	6	6	6	6.5	6.5
	g	12	12	12	18	18
	g.1	2	2	2	2	2
	h	117	117	117	129	129
	i	113	113	113	126	126
	k	55	55	55	43	43
	l	88	88	88	95	95
Terminal for cond. cross section (mm ²) min.-max.		6	6	6	25	25
		-25	-25	-25	-70	-70