

Wall mounted receptacle

Part number: 1825



MENNEKES
Elektrotechnik GmbH & Co. KG

Aloys-Mennekes-Straße 1
57399 Kirchhundem
GERMANY

www.MENNEKES.org

Product Description

- screw connection technology
- external fixing
- 15° inclination

Technical Details

| Wall mounted receptacle | 1825 |
|---|-----------------------|
| Ampere | 16A |
| Number of poles | 2p |
| Nominal voltage AC | 20 - 25V |
| Nominal frequency | 50 - 60 Hz |
| Protection type IP | IP44 |
| Contact carrier | standard |
| X-CONTACT | no |
| Connection | screw terminals |
| Contact screw drive | PZ2, slot |
| Screw drive external screws | PZ2, slot |
| Pilot contact | without pilot contact |
| Pilot contact switch | no |
| Cable entry at the top | 1 x M25 |
| Blind cable entry at the rear | yes |
| Enclosure base can be turned 180° | no |
| Insertion direction | angled |
| Inclination | 15° |
| Type of mounting | external fixing |
| Highly resistant to chemicals | no |
| Military version | no |
| Lockable | no |
| Tightening torque connection terminal for cable cross-section 1,0 - 1,5 mm ² | 0.6 Nm |
| Tightening torque connection terminal for cable cross-section 2,5 - 4,0 mm ² | 0.8 Nm |
| Tightening torque connection terminal for cable cross-section 6 - 10 mm ² | 1.2 Nm |

| | |
|--------------------------------|--------------------|
| Wall mounted receptacle | 1825 |
| Strip length solid conductor | 12 - 17 mm |
| Conductor cross-section min. | 4 mm ² |
| Conductor cross-section max. | 10 mm ² |
| Weight (net) | 189 g |
| Packaging unit | 10 pcs |
| Quantity per pallet | 880 pcs |
| EAN / identification number | 4015394012580 |

| Permissible ambient conditions | | |
|-----------------------------------|--------|-------|
| | Min. | Max. |
| Permissible ambient temperature | -25 °C | 40 °C |
| Average temperature over 24 hours | | 35 °C |

| Material properties | |
|---------------------|--------------------------------------|
| Housing | PC/PET light grey [similar RAL 7035] |
| Front part | PA6 purple [similar RAL 4001] |
| Hinged lid | PC/PET light grey [similar RAL 7035] |
| External screws | steel galvanised |

Material resistance

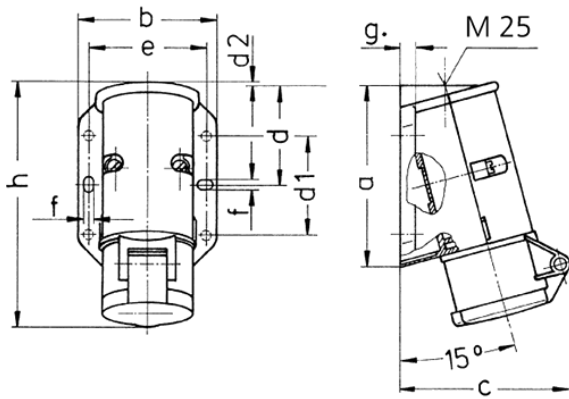
The material resistance overview can be found on the website in the section “Knowledge” - “Product knowledge” - “Materials”.

| Material and environmental properties | |
|---------------------------------------|-----|
| RoHS 2011/65/EU incl. 2015/863/EU | ✓ |
| POP regulation (EU) 2019/1021 | ✓ |
| Halogen-free | yes |

Regulations and Standards

| | |
|---------------------------|--------------------|
| Norm | DIN EN IEC 60309-2 |
| Declaration of Conformity | CE |
| Test label | EAC |

Dimensional Drawing



| Drawing 1 MB 294 | Amp. Poles | 16 | | 32 | |
|---|---------------|-----|-----|-----|-----|
| | | 2 | 3 | 2 | 3 |
| Dim. in mm | a | 96 | 96 | 96 | 96 |
| | b | 73 | 73 | 73 | 73 |
| | c | 90 | 90 | 90 | 90 |
| | d | 53 | 53 | 53 | 53 |
| | d1 | 52 | 52 | 52 | 52 |
| | d2 | 2 | 2 | 2 | 2 |
| | e | 62 | 62 | 62 | 62 |
| | f | 5.3 | 5.3 | 5.3 | 5.3 |
| | g | 8 | 8 | 8 | 8 |
| | h | 129 | 129 | 129 | 129 |
| Terminal for cond. cross section (mm ²) min.-max. | | 4 | 4 | 4 | 4 |
| | | -10 | -10 | -10 | -10 |