

LC2D40AM7

Reversing Contactor, TeSys Deca, 3P(3NO),
AC-3, <=440V, 40A, 220V AC 50/60Hz coil,
screw clamp terminals





Galvenā

Diapazons	TeSys TeSys Deca
Produkta nosaukums	TeSys D TeSys Deca
Produkta vai sastāvdaļas veids	Reversing contactor
Ierīces īsais nosaukums	LC2D
Contactor application	Motor control Resistive load
Utilisation category	AC-1 AC-3 AC-3e
Ierīces komplektācija	Preassembled with reversing power busbar
Polu skaits	3P
Power pole contact composition	3 NO
[Ue] nominālais darbības spriegums	Strāvas ķēde: ≤ 690 V AC 25...400 Hz Strāvas ķēde: ≤ 300 V DC
[Ie] rated operational current	40 A (at <60 °C) at ≤ 440 V AC AC-3 for strāvas ķēde 60 A (at <60 °C) at ≤ 440 V AC AC-1 for strāvas ķēde 40 A (at <60 °C) at ≤ 440 V AC AC-3e for strāvas ķēde
Motor power kW	11 kW at 220...230 V AC 50...60 Hz 18,5 kW at 380...400 V AC 50...60 Hz 22 kW at 415 V AC 50...60 Hz 22 kW at 440 V AC 50...60 Hz 22 kW at 500 V AC 50...60 Hz 30 kW at 660...690 V AC 50...60 Hz
Motor power HP (UL / CSA)	5 Hp at 230/240 V AC 60 Hz for 1 fāze motors 10 Hp at 230/240 V AC 60 Hz for 3 fāzes motors 30 Hp at 575/600 V AC 60 Hz for 3 fāzes motors 10 Hp at 200/208 V AC 60 Hz for 3 fāzes motors 3 Hp at 115 V AC 60 Hz for 1 fāze motors 30 hp at 460/480 V AC 60 Hz for 3 fāzes motors
Control circuit type	AC 50/60 Hz
[Uc] control circuit voltage	220 V AC 50/60 Hz
Papildkontakta veids	1 NO + 1 NC
[Uimp] rated impulse withstand voltage	6 kV IEC 60947
Pārsprieguma kategorija	III
[Ith] conventional free air thermal current	10 A (at 60 °C) for signalling circuit 60 A (at 60 °C) for strāvas ķēde
Irms rated making capacity	140 A AC for signalling circuit conforming to IEC 60947-5-1 250 A DC for signalling circuit conforming to IEC 60947-5-1 800 A at 440 V for strāvas ķēde conforming to IEC 60947
Rated breaking capacity	800 A at 440 V for strāvas ķēde conforming to IEC 60947
[Icw] rated short-time withstand current	72 A 40 °C - 10 min for strāvas ķēde 165 A 40 °C - 1 min for strāvas ķēde 320 A 40 °C - 10 s for strāvas ķēde 720 A 40 °C - 1 s for strāvas ķēde 100 A - 1 s for signalling circuit 120 A - 500 ms for signalling circuit 140 A - 100 ms for signalling circuit
Associated fuse rating	10 A gG for signalling circuit conforming to IEC 60947-5-1 80 A gG at ≤ 690 V coordination type 1 for strāvas ķēde 80 A gG at ≤ 690 V coordination type 2 for strāvas ķēde

Average impedance	1,5 mhm - lth 60 A 50 Hz for strāvas ķēde
[Ui] rated insulation voltage	Strāvas ķēde 690 V IEC 60947-4-1 Strāvas ķēde 600 V CSA Strāvas ķēde 600 V UL Signalling circuit 690 V IEC 60947-1 Signalling circuit 600 V CSA Signalling circuit 600 V UL
Electrical durability	1,5 M cikli 40 A AC-3 <= 440 V 1,4 M cikli 60 A AC-1 <= 440 V 1,5 M cikli 40 A AC-3e <= 440 V
Power dissipation per pole	2,4 W AC-3 5,4 W AC-1 2,4 W AC-3e
Front cover	With
Bloķēšanas mehānisma tips	Mechanical
Montāžas stiprinājums	Rail Plāksne
Standards	CSA C22.2 No 14 EN 60947-4-1 EN 60947-5-1 IEC 60947-4-1 IEC 60947-5-1 UL 508 IEC 60335-1
Produkta sertifikācija	UL[RETURN]CSA[RETURN]RINA[RETURN]GOST[RETURN]CC (Lloyds register of shipping) [RETURN]GL[RETURN]BV[RETURN]UKCA
Connections - terminals	Control circuit screw clamp terminals 1 1... 4 mm ² elastīgs without cable end Control circuit screw clamp terminals 2 1... 4 mm ² elastīgs without cable end Control circuit screw clamp terminals 1 1... 4 mm ² elastīgs with cable end Control circuit screw clamp terminals 2 1... 2,5 mm ² elastīgs with cable end Control circuit screw clamp terminals 1 1... 4 mm ² ciets Control circuit screw clamp terminals 2 1... 4 mm ² ciets Strāvas ķēde EverLink BTR screw connectors 1 1... 35 mm ² elastīgs without cable end Strāvas ķēde EverLink BTR screw connectors 2 1... 25 mm ² elastīgs without cable end Strāvas ķēde EverLink BTR screw connectors 1 1... 35 mm ² elastīgs with cable end Strāvas ķēde EverLink BTR screw connectors 2 1... 25 mm ² elastīgs with cable end Strāvas ķēde EverLink BTR screw connectors 1 1... 35 mm ² ciets Strāvas ķēde EverLink BTR screw connectors 2 1... 25 mm ² ciets
Tightening torque	Control circuit 1,7 N.m screw clamp terminals flat Ø 6 mm Control circuit 1,7 N.m screw clamp terminals Philips No 2 Strāvas ķēde 8 N.m EverLink BTR screw connectors 25...35 mm ² hexagonal 4 mm Strāvas ķēde 5 N.m EverLink BTR screw connectors 1...25 mm ² hexagonal 4 mm Control circuit 1,7 N.m screw clamp terminals pozidriv No 2 Strāvas ķēde 2,5 N.m screw clamp terminals pozidriv No 2
Operating time	4...19 ms opening 12...26 ms closing
Safety reliability level	B10d = 1369863 cikli contactor with nominal load EN/ISO 13849-1 B10d = 20000000 cikli contactor with mechanical load EN/ISO 13849-1
Mehāniskā izturība	6 M cikli
Maximum operating rate	3600 cikls/h 60 °C

Papildinošs

Coil technology	Without built-in suppressor module
Control circuit voltage limits	0.3...0.6 U _c -40...70 °C drop-out AC 50/60 Hz 0.8...1.1 U _c -40...60 °C operational AC 50 Hz 0.85...1.1 U _c -40...60 °C operational AC 60 Hz 1...1.1 U _c 60...70 °C operational AC 50/60 Hz
Inrush power in VA	140 VA 60 Hz cos phi 0,75 (at 20 °C) 160 VA 50 Hz cos phi 0,75 (at 20 °C)
Hold-in power consumption in VA	13 VA 60 Hz cos phi 0,3 (at 20 °C) 15 VA 50 Hz cos phi 0,3 (at 20 °C)
Heat dissipation	4...5 W 50/60 Hz
Auxiliary contacts type	Mechanically linked 1 NO + 1 NC IEC 60947-5-1 Mirror contact 1 NC IEC 60947-4-1
Signalling circuit frequency	25...400 Hz
Minimum switching current	5 mA for signalling circuit
Minimum switching voltage	17 V for signalling circuit
Non-overlap time	1,5 Ms on de-energisation between NC and NO contact 1,5 ms on energisation between NC and NO contact
Insulation resistance	> 10 MOhm for signalling circuit

Vide

IP degree of protection	IP20 priekšpuse IEC 60529
Climatic withstand	IACS E10 IEC 60947-1 Annex Q category D
Protective treatment	TH IEC 60068-2-30
Piesārņojuma pakāpe	3
Apkārtējā gaisa temperatūra darbībai	-40...60 °C 60...70 °C with derating
Apkārtējā gaisa temperatūra uzglabāšanai	-60...80 °C
Operating altitude	0...3000 m
Fire resistance	850 °C IEC 60695-2-1
Flame retardance	V1 UL 94
Mechanical robustness	Vibrations contactor open2 Gn, 5...300 Hz Vibrations contactor closed4 Gn, 5...300 Hz Shocks contactor open10 Gn for 11 ms Shocks contactor closed15 Gn for 11 ms
Augstums	122 mm
Platums	119 mm
Dziļums	120 mm
Neto svars	1,87 kg

Iepakojšanas vienības

Pirmā iepakojuma vienības tips	PCE
Vienību skaits 1. iepakojumā	1
1. iepakojuma augstums	14,000 cm
1. iepakojuma platums	16,200 cm
1. iepakojuma garums	19,500 cm
1. iepakojuma svars	2,070 kg
Otrā iepakojuma vienības tips	S03
Vienību skaits 2. iepakojumā	4
2. iepakojuma augstums	30,000 cm
2. iepakojuma platums	30,000 cm
2. iepakojuma garums	40,000 cm
2. iepakojuma svars	8,739 kg

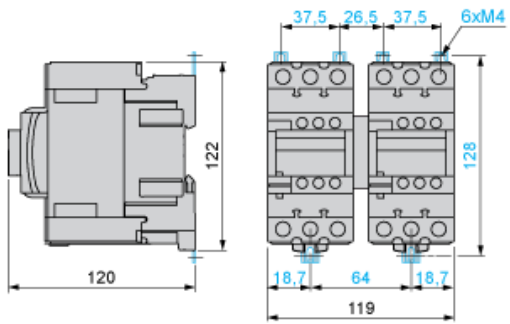
Piedāvājiēt ilgtspēju

Ilgtspējīgs piedāvājuma statuss	Green Premium izstrādājums
REACH regula	REACH Deklarācija
Nesatur REACH SVHC	Jā
ES RoHS direktīva	Atbilstīgs ES RoHS Deklarācija
Nesatur toksiskus smagos metālus	Jā
Nesatur dzīvsudrabu	Jā
Ķīnas RoHS regula	Ķīnas RoHS Deklarācija
Informācija par RoHS izņēmumiem	Jā
Vides informācijas publiskošana	Produkta Ietekme Uz Vidi
Cirkularitātes profils	Informācija Par Eksploatācijas Izbeigšanu
WEEE	Eiropas Savienības tirgū no šī produkta ir jāatbrīvojas, ievērojot noteiktu atkritumu savākšanas kārtību, un produkts nedrīkst nonākt sadzīves atkritumu tvertnēs.
Nesatur PVH	Jā

Līguma garantija

Garantija	18 months
-----------	-----------

Dimensions



Wiring

