

# RE17RCMU

single function relay, Harmony Timer Relays,  
8A, 1CO, 1s..100h, off delay, 24V DC or  
24...240V AC DC



## Galvenā

Produkta sērija	Harmony Timer Relays
Produkta vai sastāvdaļas veids	Single function relay
Discrete output type	Relay
Platums	17,5 mm
Ierīces īsais nosaukums	RE17R
Time delay type	Off-delay
Laika aiztures diapazons	6...60 s 1...10 h 1...10 min 6...60 min 0.1...1 s 1...10 s 10...100 h
Nominal output current	8 A

## Papildinošs

Kontaktligzdas tips	1 C/O
Kontaktligzdas materiāls	Cadmium free
Augstums	90 mm
Dziļums	72 mm
Control type	Selector switch front panel
[Us] nominālais barošanas spriegums	24...240 V AC 50/60 Hz 24 V DC
Voltage range	0.85...1.1 Us
Supply frequency	50...60 Hz +/- 5 %
Release of input voltage	10 V
Connections - terminals	Skrūvju spaiļes, 1 x 0.5...1 x 3.3 mm <sup>2</sup> AWG 20...AWG 12) ciets without cable end Skrūvju spaiļes, 2 x 0.5...2 x 2.5 mm <sup>2</sup> AWG 20...AWG 14) ciets without cable end Skrūvju spaiļes, 1 x 0.2...1 x 2.5 mm <sup>2</sup> AWG 24...AWG 14) elastīgs with cable end Skrūvju spaiļes, 2 x 0.2...2 x 1.5 mm <sup>2</sup> AWG 24...AWG 16) elastīgs with cable end
Tightening torque	0,6...1 N.m IEC 60947-1
Korpasa materiāls	Self-extinguishing
Repeat accuracy	+/- 0.5 % IEC 61812-1
Temperature drift	+/- 0.05 %/°C
Voltage drift	+/- 0.2 %/V
Setting accuracy of time delay	+/- 10 % of full scale 25 °C IEC 61812-1
Control signal pulse width	100 ms with load in parallel typical 30 ms typical
Insulation resistance	100 MOhm 500 V DC IEC 60664-1
Reset time	120 ms on de-energisation typical
On-load factor	100 %
Power consumption in VA	0...32 VA 240 V AC
Maximum power consumption in W	0,6 W 24 V DC
Minimum switching current	10 mA 5 V DC
Maximum switching current	8 A AC/DC
Maximum switching voltage	250 V AC
Breaking capacity	2000 VA

Operating frequency	10 Hz
Electrical durability	100000 cikli pretestības 8 A 250 V AC
Mehāniskā izturība	10000000 cikli
Dielectric strength	2,5 kV 1 mA/1 minute 50 Hz IEC 61812-1
[Uimp] rated impulse withstand voltage	5 kV 1.2/50 μs
Power on delay	100 ms
Marķējums	CE
Creepage distance	4 kV/3 IEC 60664-1
Safety reliability data	B10d = 270000 MTTFd = 296.8 years
Mounting position	Any position in relation to normal vertical mounting plane
Montāžas stiprinājums	35 mm DIN sliede atbilst IEC 60715
Local signalling	LED indicator on steady: relay energised, no timing in progress LED indicator 80 % ON and 20 % OFF flashing: timing in progress LED indicator 5 % ON and 95 % OFF pulsing: relay de-energised, no timing in progress (except function Di-D, Li-L)
Neto svars	0,07 kg
Time delay type	C
Functionality	Off-delay timing
Compatibility code	RE17

## Vide

Immunity to microbreaks	20 ms
Standarti	IEC 61000-6-4 IEC 61000-6-2 IEC 61000-6-3 2004/108/EK 2006/95/EK IEC 61812-1 IEC 61000-6-1
Produkta sertifikācija	cULus[RETURN]GL[RETURN]CSA
Apkārtējā gaisa temperatūra uzglabāšanai	-30...60 °C
Apkārtējā gaisa temperatūra darbībai	-20...60 °C
IP degree of protection	IP20 IEC&nbsp;60529 terminal block) IP40 IEC&nbsp;60529 housing) IP50 IEC&nbsp;60529 front panel)
Vibration resistance	20 m/s <sup>2</sup> 10...150 Hz)IEC 60068-2-6
Shock resistance	15 gn 11 ms IEC 60068-2-27
Relative humidity	93 % without condensation IEC 60068-2-30
Electromagnetic compatibility	Electrostatic discharge immunity test 6 kV in contact) level 3 IEC 61000-4-2 Electrostatic discharge immunity test 8 kV in air) level 3 IEC 61000-4-2 Susceptibility to electromagnetic fields 10 V/m 80 MHz to 1 GHz) level 3 IEC 61000-4-3 Electrical fast transient/burst immunity test 1 kV capacitive connecting clip) level 3 IEC 61000-4-4 Electrical fast transient/burst immunity test 2 kV direct) level 3 IEC 61000-4-4 1.2/50 μs shock waves immunity test 1 kV differential mode) level 3 IEC 61000-4-5 1.2/50 μs shock waves immunity test 2 kV common mode) level 3 IEC 61000-4-5 Conducted RF disturbances 10 V 0.15...80 MHz) level 3 IEC 61000-4-6 Voltage dips and interruptions immunity test 0 % 1 cycle) IEC 61000-4-11 Voltage dips and interruptions immunity test 70 % 25/30 cycles) IEC 61000-4-11 Conducted and radiated emissionsclass B EN 55022

## Iepakojšanas vienības

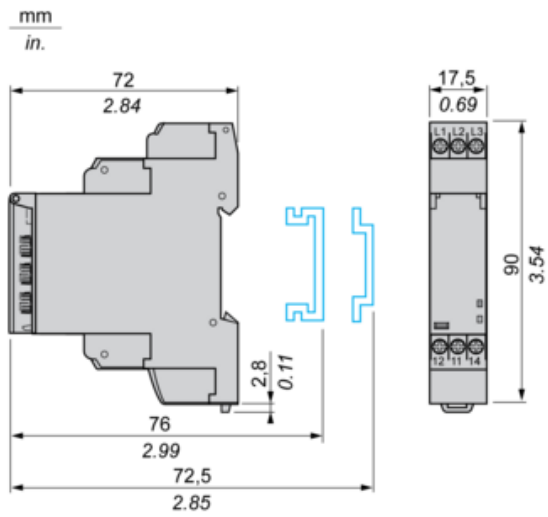
Pirmā iepakojuma vienības tips	PCE
Vienību skaits 1. iepakojumā	1
1. iepakojuma augstums	2,8 cm
1. iepakojuma platums	7,4 cm
1. iepakojuma garums	9,4 cm
1. iepakojuma svars	80 g
Otrā iepakojuma vienības tips	S02
Vienību skaits 2. iepakojumā	40

2. iepakojuma augstums	15 cm
2. iepakojuma platums	30 cm
2. iepakojuma garums	40 cm
2. iepakojuma svars	3,706 kg

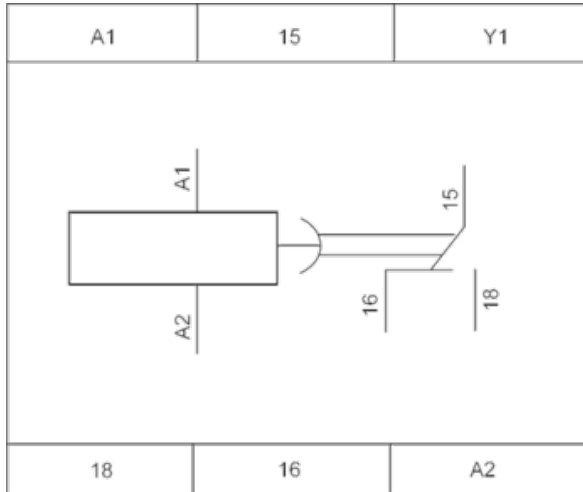
## Piedāvājiēt ilgtspēju

Ilgtspējīgs piedāvājuma statuss	Green Premium izstrādājums
REACH regula	<a href="#">REACH Deklarācija</a>
ES RoHS direktīva	Proaktīva atbilstība (uz izstrādājumu neattiecas ES RoHS juridiskās saistības)
Nesatur dzīvsudrabu	Jā
Ķīnas RoHS regula	<a href="#">Ķīnas RoHS Deklarācija</a>
Informācija par RoHS izņēmumiem	<a href="#">Jā</a>
Vides informācijas publiskošana	<a href="#">Produkta Ietekme Uz Vidi</a>
Cirkularitātes profils	<a href="#">Informācija Par Eksploatācijas Izbeigšanu</a>

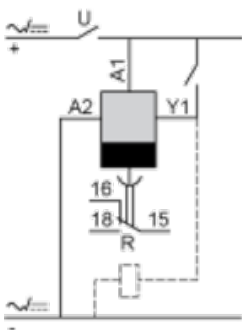
Width 17.5 mm



## Internal Wiring Diagram



## Wiring Diagram

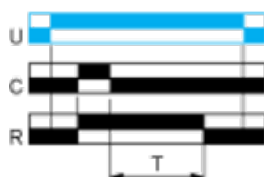


Function C : Off-Delay Relay with Control Signal

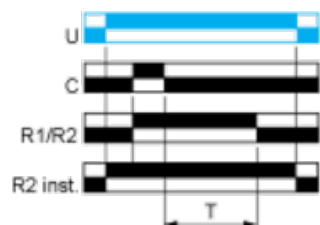
Description

After power-up and closing of the control contact C, the output R closes. When control contact C re-opens, timing T starts. At the end of the timing period, the output(s) R revert(s) to its/their initial state. The second output can be either timed or instantaneous.

Function: 1 Output



Function: 2 Outputs



2 timed outputs (R1/R2) or 1 timed output (R1) and 1 instantaneous output (R2 inst.)

Legend

Relay de-energised

Relay energised

 Output open

 Output closed

C	Control contact
G	Gate
R	Relay or solid state output
R1/R2	2 timed outputs
R2 inst.	The second output is instantaneous if the right position is selected
T	Timing period
Ta -	Adjustable On-delay
Tr -	Adjustable Off-delay
U	Supply