

RE48AML12MW

multifunction relay, Harmony Timer Relays, 5A,
2CO, 0.02s...300h, time delay, 24...240V AC
DC



Galvenā

Produkta sērija	Harmony Timer Relays
Produkta vai sastāvdaļas veids	Multifunction relay
Electrical connection	Plug-in sub-base 11
Platums	48 mm
Discrete output type	Relay
Contacts type and composition	2 C/O timed contacts, AgNi (cadmium free)
Component name	RE48A
Time delay type	Power on-delay Interval Off-delay Symmetrical flashing
Laika aiztures diapazons	0.5...30 s 5...300 s 0.2...12 min 0.5...30 h 2...120 s 0.05...3 s 0.2...12 s 0.02...1.2 s 2...120 min 5...300 min 0.5...30 min 5...300 h 2...120 h 0.2...12 h
[Us] nominālais barošanas spriegums	24...240 V AC/DC 50/60 Hz
Voltage range	0.85...1.1 Us AC 0.9...1.1 Us DC
[In] nominālā strāva	5 A

Papildinošs

Product front plate size	48 x 48 mm
Control type	Selector switch front panel
Korpasa materiāls	Self-extinguishing
Repeat accuracy	+/- 0.2 % of the maximum setting value IEC 61812-1
Temperature drift	+/- 0.02 %/°C of the maximum setting value IEC 61812-1
Voltage drift	+/- 0.2 %/V of the maximum setting value 48...240 V +/- 1 %/V of the maximum setting value 24...48 V
Setting accuracy of time delay	+/- 5 % of full scale 25 °C IEC 61812-1
Minimum pulse duration	20 ms
Reset time	25 ms on de-energisation
Pick up duration	55 ms
On-load factor	100 %
Power consumption in VA	1,1 VA 24 V 4,8 VA 240 V
Power consumption in W	0,5 W 24 V 1,7 W 240 V
Breaking capacity	1250 VA

Minimum switching current	100 mA
Maksimālā pārslēgšanas strāva	5 A
Maximum switching voltage	250 V AC/DC
Electrical durability	100000 cikli
Mehāniskā izturība	30000000 cikli
Output voltage	240 V 5 A AC-12 30 V 2 A DC-13 240 V 1,5 A AC-15
Marķējums	CE
Surge withstand	1 kV differential mode IEC 61000-4-5 level 3 2 kV common mode IEC 61000-4-5 level 3
Montāžas stiprinājums	Base mounted: socket Panel mounted: system supplied with the product
Lokālā signalizēšana	Priekš output relay state 1 LED (dzeltens) Priekš flashing: relay energised timing in progress LED indicator (zaļš) Priekš on steady: relay energised, no timing in progress LED indicator (zaļš)
Neto svars	0,14 kg

Vide

Humidity drift	+/- 0.05 %/%RH of the maximum setting value IEC 61812-1
Immunity to microbreaks	10 ms
Dielectric strength	1 kV 1 mA/1 minute IEC 61812-1
Protection against electric shocks	4 kV class III IEC 60664-1 4 kV class III IEC 61812-1
Standarti	IEC 61812-1 EN 50081-1/2 93/68/EEC 89/336/EEK EN 50082-1/2 IEC 60669-2-3 73/23/EEK
Produkta sertifikācija	UL[RETURN]cULus[RETURN]CSA[RETURN]C-Tick
Apkārtējā gaisa temperatūra uzglabāšanai	-40...70 °C
Apkārtējā gaisa temperatūra darbībai	-20...50 °C
IP degree of protection	IP40 IEC 60529 housing) IP50 IEC 60529 front face)
Vibration resistance	0.35 mm 10...55 Hz)IEC 60068-2-6
Relative humidity	93 % without condensation IEC 60068-2-3
Resistance to electrostatic discharge	6 kV in contact IEC 61000-4-2 level 3 8 kV in air IEC 61000-4-2 level 3
Resistance to electromagnetic fields	10 V/m 26 MHz to 1 GHz IEC 61000-4-3 level 3
Resistance to fast transients	2 kV IEC 61000-4-4 level 4 capacitive connecting clip) 4 kV IEC 61000-4-4 level 4 direct)
Immunity to radioelectric fields	10 V 0.15...80 MHz)IEC 61000-4-6 level 3
Immunity to voltage dips	30 % / 10 ms IEC 61000-4-11 60 % / 100 ms IEC 61000-4-11 95 % / 5 s IEC 61000-4-11
Disturbance radiated/conducted	Class B 0.15...30 MHz EN 55022 (EN 55011 group 1)

Iepakojšanas vienības

Pirmā iepakojuma vienības tips	PCE
Vienību skaits 1. iepakojumā	1
1. iepakojuma augstums	5,7 cm
1. iepakojuma platums	6,2 cm
1. iepakojuma garums	10,5 cm
1. iepakojuma svars	130 g
Otrā iepakojuma vienības tips	S02
Vienību skaits 2. iepakojumā	30
2. iepakojuma augstums	15 cm
2. iepakojuma platums	30 cm

2. iepakojuma garums	40 cm
2. iepakojuma svars	4,35 kg

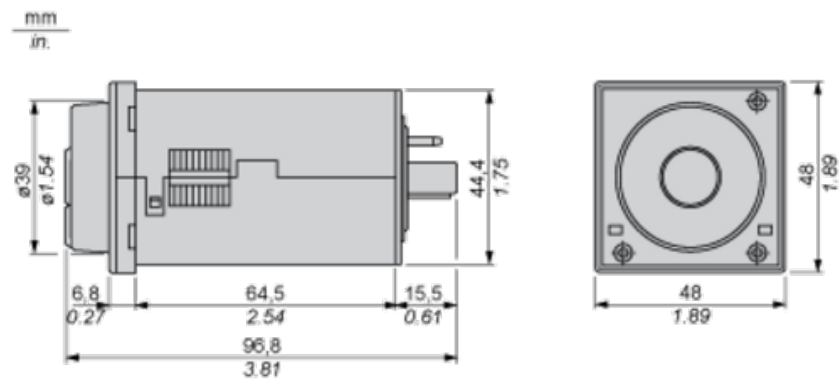
Piedāvājiēt ilgtspēju

Ilgtspējīgs piedāvājuma statuss	Green Premium izstrādājums
REACH regula	REACH Deklarācija
ES RoHS direktīva	Proaktīva atbilstība (uz izstrādājumu neattiecas ES RoHS juridiskās saistības)
Nesatur dzīvsudrabu	Jā
Ķīnas RoHS regula	Ķīnas RoHS Deklarācija
Informācija par RoHS izņēmumiem	Jā
Vides informācijas publicēšana	Produkta Ietekme Uz Vidi
Cirkularitātes profils	Informācija Par Eksploatācijas Izbeigšanu
WEEE	Eiropas Savienības tirgū no šī produkta ir jāatbrīvojas, ievērojot noteiktu atkritumu savākšanas kārtību, un produkts nedrīkst nonākt sadzīves atkritumu tvertnēs.

Līguma garantija

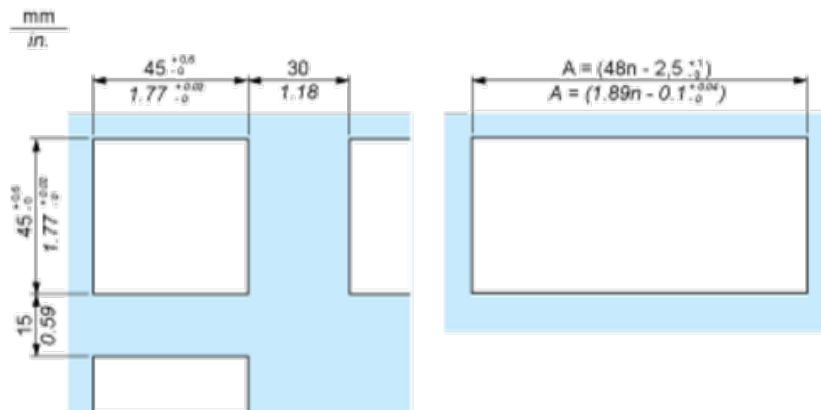
Garantija	18 months
-----------	-----------

Width 48 mm



Panel Cut-Out and Mounting

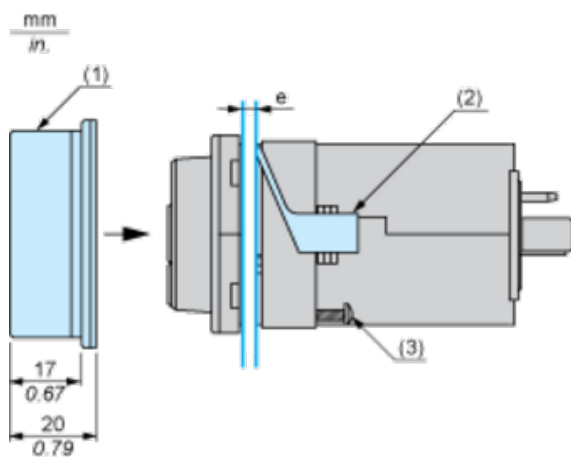
Panel Cut-Out



n Number of devices mounted side-by-side

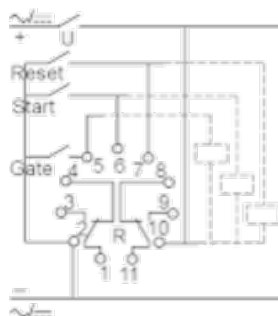
Mounting

Cover positioning and mounting



- e Panel thickness
- 1 Protective cover
- 2 Panel mounting frame
- 3 Locating screw

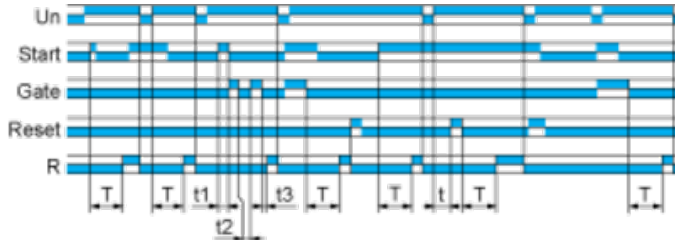
Wiring Diagram



Function A : Power on Delay Relay

Description

The timing period T begins on energisation. After timing, the output R closes.

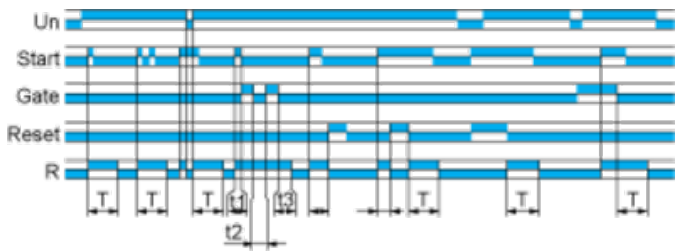


$$T = t1 + t2 + t3$$

Function B : Interval Relay with Control Signal

Description

After power-up, pulsing or maintaining control contact C starts the timing T. The output R closes for the duration of the timing period T then reverts to its initial state.

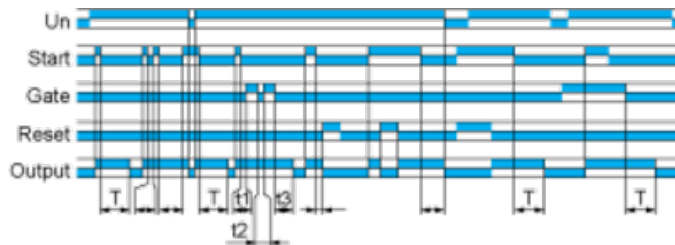


$$T = t1 + t2 + t3$$

Function C : Off-Delay Relay with Control Signal

Description

After power-up and closing of the control contact, the output closes. When control contact re-opens, timing T starts. At the end of the timing period, the output reverts to their initial state.

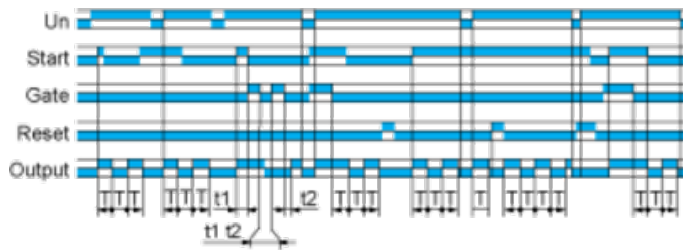


$$T = t1 + t2 + t3$$

Function Di : Symmetrical Flasher Relay (Starting Pulse On)

Description

Repetitive cycle with two timing periods T of equal duration, with output changing state at the end of each timing period T.



Legend

Relay de-energised

Relay energised

Output open

Output closed

C	Control contact
G	Gate
R	Relay or solid state output
R1/R2	2 timed outputs
R2 inst.	The second output is instantaneous if the right position is selected
T	Timing period
Ta -	Adjustable On-delay
Tr -	Adjustable Off-delay
U	Supply