



## Galvenā

Produkta sērija	Modicon Power Supply
Produkta vai sastāvdaļas veids	Energijas padeve
Barošanas avota veids	Regulated switch mode
Varianta variants	Modular
Sadalnes korpusa materiāls	Plastic
Nominal input voltage	100...240 V AC vienfāze 100...240 V AC phase to phase
Nominālā jauda W	15 W
Output voltage	24 V DC
Power supply output current	0,625 A

## Papildinošs

Ieejas sprieguma robežas	90...264 V AC
Nominal network frequency	50...60 Hz
Network system compatibility	TN TT IT
Maximum leakage current	0,25 mA 240 V AC
Input protection type	Integrated fuse (not interchangeable) 3,15 A External protection (recommended) 20 A Curve B External protection (recommended) 20 A Curve C External protection (recommended) 2 A Curve B External protection (recommended) 2 A Curve C
Inrush current	15 A 115 V 30 A 230 V
Power factor	0,51 at 115 V AC 0,40 at 230 V AC
Efficiency	81 % 115 V AC 81 % 230 V AC
Power dissipation in W	3,5 W
Current consumption	< 0.4 A 115 V AC < 0.25 A 230 V AC
Turn-on time	< 2 s
Holding time	> 10 ms 115 V AC > 60 ms 230 V AC
Startup with capacitive loads	3000 µF
Residual ripple	< 100 mV
Meantime between failure [MTBF]	3000000 H at 25 °C, full load 1000000 h at 55 °C, 80 % load
Output protection type	Against overload and short-circuits automātiska atiestatīšana Against over temperature manual reset Against overvoltage manual reset
Connections - terminals	Skūvējams savienojums 0.5...1.5 mm <sup>2</sup> , AWG 20...AWG 16) without wire end ferrule input/output Skūvējams savienojums 0.5...1 mm <sup>2</sup> , AWG 20...AWG 18) with wire end ferrule input/output
Line and load regulation	< 0.5 % network in line < 1 % network 0 to 100 % load
Statusa gaismas diode	1 LED (zaļš) output voltage

The information provided in this documentation contains general descriptions and/or technical characteristics of the performance of the products contained herein. This documentation is not intended as a substitute for and is not to be used for determining suitability or reliability of these products for specific user applications. It is the duty of any such user or integrator to perform the appropriate and complete risk analysis, evaluation and testing of the products with respect to the relevant specific application or use thereof. Neither Schneider Electric Industries SAS nor any of its affiliates or subsidiaries shall be responsible or liable for misuse of the information contained herein.

Dziļums	55,6 mm
Augstums	91 mm
Platums	18 mm
Neto svars	0,101 kg
Output coupling	Serial
Mounting support	Top hat type TH35-15 rail IEC 60715 Top hat type TH35-7.5 rail IEC 60715 Double-profile DIN rail Panel mounting
Supply	SELV IEC 60950-1 SELV IEC 60204-1 SELV IEC 60364-4-41
Dielectric strength	3000 V AC input/output
Service life	10 gads(-i)
Pārsprieguma kategorija	II

## Vide





Standarti	IEC 62368-1 EN/IEC 61010-1 EN 61010-2-201 EN/IEC 61204-3 IEC 61000-6-1 IEC 61000-6-2 IEC 61000-6-3 IEC 61000-6-4 IEC 61000-3-2 EN 61000-3-3 UL 62368-1 UL 61010-1 UL 61010-2-201 CSA C22.2 No 62368-1 CSA C22.2 No 61010-1 CSA C22.2 No 61010-2-201 EN/IEC 62368-1
Product certifications	CE[RETURN]CUL sarakstā[RETURN]CUL atzīts[RETURN]RCM[RETURN]CB Scheme[RETURN]EAC[RETURN]KC[RETURN]NEC class 2
Operating altitude	< 2000 m overvoltage category III 2000 m...5000 m overvoltage category II
Shock resistance	150 m/s <sup>2</sup> 11 ms
IP aizsardzības pakāpe	IP20
Ambient air temperature for operation	-25...55 °C without current derating mounting position A < 2000 m 55...70 °C with current derating of 2.67 % per °C mounting position A < 2000 m
Electrical shock protection class	II klase without PE connection
Piesārņojuma pakāpe	2
Vibration resistance	3 mm 2...9 Hz)IEC 60721-3-3 10 m/s <sup>2</sup> 9...200 Hz)IEC 60721-3-3

Electromagnetic immunity	<p>Immunity to electrostatic discharge - test level: 8 kV (contact discharge) conforming to IEC 61000-4-2</p> <p>Immunity to electrostatic discharge - test level: 15 kV (air discharge) conforming to IEC 61000-4-2</p> <p>Electromagnetic field immunity test - test level: 15 V/m (80 MHz...2 GHz) conforming to IEC 61000-4-3</p> <p>Electromagnetic field immunity test - test level: 5 V/m (2...2.7 GHz) conforming to IEC 61000-4-3</p> <p>Electromagnetic field immunity test - test level: 5 V/m (2.7...6 GHz) conforming to IEC 61000-4-3</p> <p>Immunity to fast transients - test level: 4 kV (on input-output) conforming to IEC 61000-4-4</p> <p>Surge immunity test - test level: 4 kV (between power supply and earth) conforming to IEC 61000-4-5</p> <p>Surge immunity test - test level: 3 kV (between phases) conforming to IEC 61000-4-5</p> <p>Immunity to conducted disturbances - test level: 15 V (0.15...80 MHz) conforming to IEC 61000-4-6</p> <p>Immunity to magnetic fields - test level: 30 A/m (50...60 Hz) conforming to IEC 61000-4-8</p> <p>Immunity to voltage dips - test level: 100 % (1 cycle) conforming to IEC 61000-4-11</p> <p>Immunity to voltage dips - test level: 60 % (10 cycles) conforming to IEC 61000-4-11</p> <p>Immunity to voltage dips - test level: 30 % (25 cycles) conforming to IEC 61000-4-11</p> <p>Disturbing field emission conforming to EN 55016-2-3</p> <p>Limits for harmonic current emissions conforming to IEC 61000-3-2</p> <p>Conforming to EN 55016-1-2</p> <p>Conforming to EN 55016-2-1</p>
Electromagnetic emission	<p>Conducted emissions IEC 61000-6-3</p> <p>Radiated emissions IEC 61000-6-4</p>

### Iepakojšanas vienības

Pirmā iepakojuma vienības tips	PCE
Vienību skaits 1. iepakojumā	1
1. iepakojuma augstums	3,000 cm
1. iepakojuma platums	9,500 cm
1. iepakojuma garums	13,500 cm
1. iepakojuma svars	116,000 g
Otrā iepakojuma vienības tips	S02
Vienību skaits 2. iepakojumā	28
2. iepakojuma augstums	15,000 cm
2. iepakojuma platums	30,000 cm
2. iepakojuma garums	40,000 cm
2. iepakojuma svars	3,492 kg
Trešā iepakojuma vienības tips	P12
Vienību skaits 3. iepakojumā	448
3. iepakojuma augstums	45,000 cm
3. iepakojuma platums	80,000 cm
3. iepakojuma garums	120,000 cm
3. iepakojuma svars	67,872 kg

### Piedāvājiēt ilgtspēju

Ilgtspējīgs piedāvājuma statuss	Green Premium izstrādājums
REACH regula	
ES RoHS direktīva	Proaktīva atbilstība (uz izstrādājumu neattiecas ES RoHS juridiskās saistības)
Nesatur dzīvsudrabu	Jā
Ķīnas RoHS regula	
Informācija par RoHS izņēmumiem	
Vides informācijas publicēšana	



---

### Electrical Safety

---

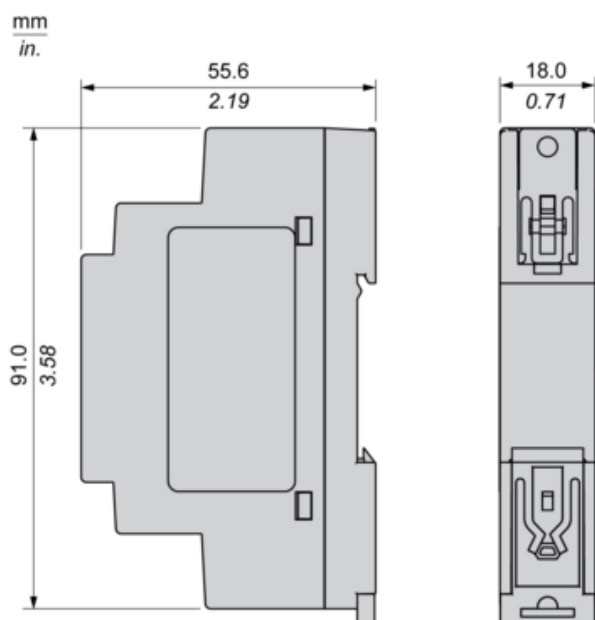
- If the unit is used in a manner not specified by the manufacturer, the protection provided by the equipment may be impaired.
- For means of disconnection a switch or circuit breaker, located near the product, must be included in the installation. A marking as disconnecting device for the product is required.
- The device has an internal fuse. The unit is tested and approved with branch circuit protective device up to 20A. This circuit breaker can be used as disconnecting device.
- The power supply is only suitable for audio, video, information, communication, industrial and control equipment.

---

### Dimensions

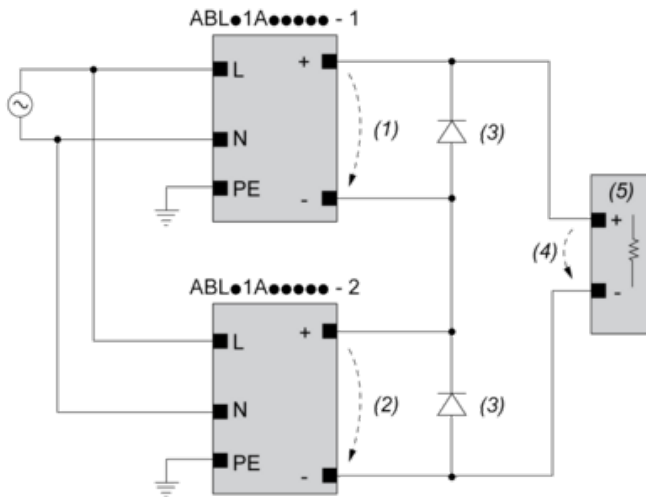
---

#### Side and Rear View



Connections and Schema

Series Connection



- (1) :  $V_{out1}$
- (2) :  $V_{out2}$
- (3) : 2 x Diode,  $V_{RRM} > 2 \times V_{out1/2}$ ,  $I_F > 2 \times I_{nom1/2}$
- (4) :  $V_{Load} = 2 \times V_{out}$
- (5) : Load

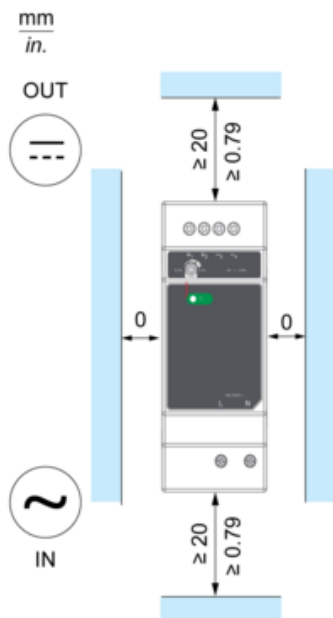
Connections and Schema

		(1)		
		<40°C	<50°C	<70°C
ABLM1A24004		60°C	75°C	75°C
ABLM1A12010		60°C	75°C	90°C
ABLM1A24006		60°C	75°C	90°C
ABLM1A05036	Input	60°C	75°C	90°C
	Output	75°C	90°C	90°C
ABLM1A12021		60°C	75°C	90°C
ABLM1A24012		60°C	75°C	90°C
ABLM1A12042		60°C	75°C	90°C
ABLM1A24025		60°C	75°C	90°C

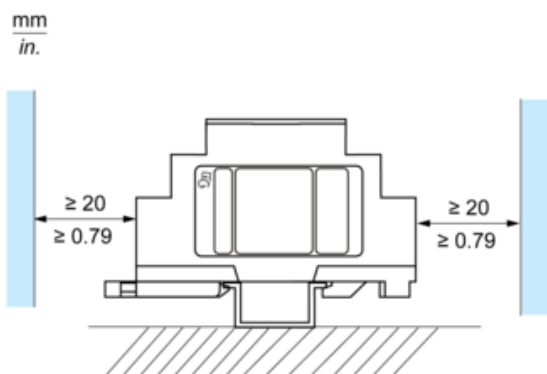
- (1) : Ambient

Mounting

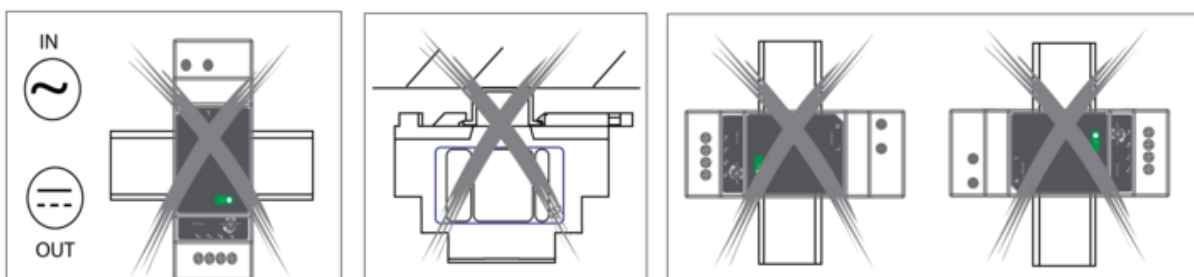
Mounting Position A



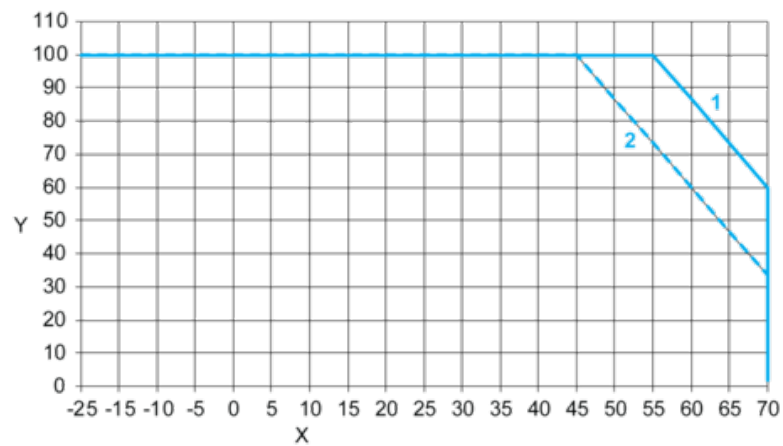
Mounting Position B



Incorrect Mounting



Performance Curve



- X : Ambient Temperature (°C)
- Y : Percentage of Max Load (%)
- 1 : Mounting A & B, altitude 2000M
- 2 : Mounting A & B, altitude 5000M