

Cam changeover switch, Harmony K, Ø16 or 22mm , plastic, 3 poles, position 0s, 30°, 10A, 30x30mm, marked 0/1/2/3



Galvenā

Produkta sērija	Harmony K
Produkta vai sastāvdaļas veids	Complete cam switch
Component name	K10
[I _{th}] conventional free air thermal current	10 A
Produkta montāža	Front mounting
Fiksācijas režīms	Ø 16 or 22 mm hole
Cam switch head type	With front plate 30 x 30 mm
Type of operator	Melns handle
Rotary handle padlocking	Without
Presentation of legend	With metallic, 0 - 1 - 2 - 3 black
Cam switch function	Stepping switch
Return	Without
Off position	With Off position
Polu skaits	2P
Switching positions	Right: 270° - 315° - 0° - 45°
IP degree of protection	Contact block: IP20 Operating head: IP65 conforming to IEC 60529

Papildinošs

Soļu skaits	3
Switching angle	45 °
[U _i] rated insulation voltage	440 V 3)IEC 60947-1
Rated operational power in W	370 W AC-23A, 110/120 V 1 fāze 750 W AC-23A, 220/240 V 1 fāze
Rated power in hp	0,33 Hp 110/120 V AC, 1 fāze 0,75 hp 220/240 V AC, 1 fāze
[I _e] rated operational current AC	10 A 400 V AC-1 10 A 400 V AC-21A 3 A 240 V AC-15 6 A 120 V AC-15
[I _e] rated operational current DC	10 A 24 V pretestības 0,3 A 220 V pretestības 0,7 A 110 V pretestības
Electrical durability	100000000 cikli
Short-circuit protection	10 A cartridge fuse gG
[U _{imp}] rated impulse withstand voltage	4 kV IEC 60947-1
Contact operation	Slow-break
Electrical connection	Captive screw clamp terminals 2 x 1,5 mm ²
Mehāniskā izturība	1000000 cikli
CAD overall width	30 mm
CAD overall height	30 mm
CAD overall depth	100 mm
Neto svars	0,055 kg

The information provided in this documentation contains general descriptions and/or technical characteristics of the performance of the products contained herein. This documentation is not intended as a substitute for and is not to be used for determining suitability or reliability of these products for specific user applications. It is the duty of any such user or integrator to perform the appropriate and complete risk analysis, evaluation and testing of the products with respect to the relevant specific application or use thereof. Neither Schneider Electric Industries SAS nor any of its affiliates or subsidiaries shall be responsible or liable for misuse of the information contained herein.

Vide

Standards	CENELEC EN 50013 EN/IEC 60947-3 EN/IEC 60947-5-1
Product certifications	CULus
Aizsargparklājumus	TC
Apkārtējā gaisa temperatūra darbībai	-20...55 °C
Apkārtējā gaisa temperatūra uzglabāšanai	-40...70 °C
Electrical shock protection class	II klase IEC 60536

Iepakojšanas vienības

Pirmā iepakojuma vienības tips	PCE
Vienību skaits 1. iepakojumā	1
1. iepakojuma augstums	10,5 cm
1. iepakojuma platums	4,1 cm
1. iepakojuma garums	4,0 cm
1. iepakojuma svars	77,0 g
Otrā iepakojuma vienības tips	S02
Vienību skaits 2. iepakojumā	65
2. iepakojuma augstums	15,0 cm
2. iepakojuma platums	30,0 cm
2. iepakojuma garums	40,0 cm
2. iepakojuma svars	5,328 kg

Piedāvājiem ilgtspēju

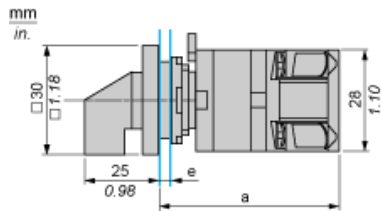
REACH regula	REACH Deklarācija
Nesatur REACH SVHC	Jā
ES RoHS direktīva	Proaktīva atbilstība (uz izstrādājumu neattiecas ES RoHS juridiskās saistības) ES RoHS deklarācija
Nesatur toksiskus smagos metālus	Jā
Nesatur dzīvsudrabu	Jā
Ķīnas RoHS regula	Ķīnas RoHS Deklarācija
Informācija par RoHS izņēmumiem	Jā
WEEE	Eiropas Savienības tirgū no šī produkta ir jāatbrīvojas, ievērojot noteiktu atkritumu savākšanas kārtību, un produkts nedrīkst nonākt sadzīves atkritumu tvertnēs.

Līguma garantija

Garantija	18 months
-----------	-----------

Cam Switch

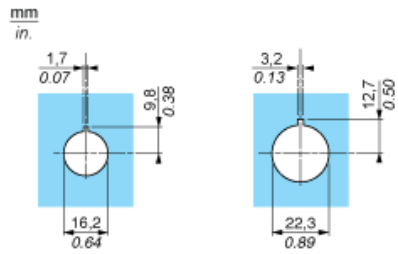
Front Mounting by $\varnothing 16$ mm/0.63 in. or $\varnothing 22$ mm/0.87 in. hole



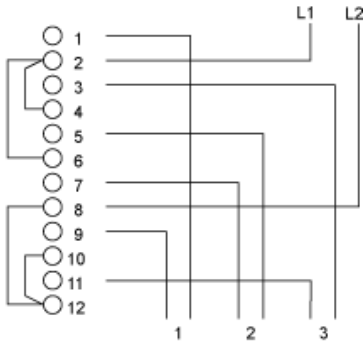
- a 75 mm/2.95 in.
- e support panel thickness: 0.5 mm to 5 mm/0.02 in. to 0.2 in.

Cam Switch

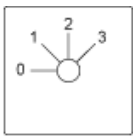
Ø 16 mm/0.63 in. and Ø 22 mm/0.87 in. Panel Cut-outs



Link Positions (Factory Mounted)



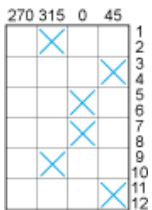
Marking



Angular Position of Switch



Switching Program



Convention Used for Switching Program Representation

- Contact closed
- Contact closed in 2 positions and maintained between the 2 positions
- Sealed assembly for auto-maintain control
- Overlapping contacts
- Spring return position: for a switching angle of 90°, spring return is over 30° after the last position (for a maximum of 3 simultaneous contacts).

Example:

