

## XB5AK124B5

Illuminated selector switch, Harmony XB5, grey plastic, red handle, 22mm, 2 positions, universal LED, 1NO + 1NC, 24V AC DC



### Galvenā

Produkta sērija	Harmony XB5
Produkta vai sastāvdaļas veids	Illuminated selector switch
Ierīces īsais nosaukums	XB5
Bezel material	Dark grey plastic
Head type	Standard
Mounting diameter	22,5 mm
Daudzums nedalāms	1
Shape of signaling unit head	Round
Type of operator	Stay put
Operator profile	Red standard handle
Operator position information	2 positions 90°
Kontaktligzdas tips	1 NO + 1 NC
Contact operation	Slow-break
Connections - terminals	Screw clamp terminals, ≤ 2 x 1.5 mm <sup>2</sup> with cable end IEC 60947-1 Screw clamp terminals, >= 1 x 0.22 mm <sup>2</sup> without cable end IEC 60947-1
Spuldzes savienojums	Integral LED
[Us] rated supply voltage	24&nbsp;V AC/DC 50/60 Hz

### Papildinošs

Augstums	42 mm
Platums	30 mm
Dziļums	70 mm
Terminals description ISO n°1	(11-12)NC (13-14)NO
Neto svars	0,516 kg
Resistance to high pressure washer	7000000 Pa 55 °C 0.1 m
Contacts usage	Standard contacts
Positive opening	With IEC 60947-5-1 appendix K
Operating torque	0,14 N.m NO changing electrical state
Mehāniskā izturība	1000000 cikli
Tightening torque	0,8...1,2 N.m IEC 60947-1
Shape of screw head	Krusts Philips no 1 Krusts pozidriv No 1 Slotted flat Ø 4 mm Slotted flat Ø 5.5 mm
Kontaktligzdas materiāls	Silver alloy (Ag/Ni)
Short-circuit protection	10 A cartridge fuse gG IEC 60947-5-1
[I <sub>th</sub> ] conventional free air thermal current	10 A IEC 60947-5-1
[U <sub>i</sub> ] rated insulation voltage	600 V 3)IEC 60947-1
[U <sub>imp</sub> ] rated impulse withstand voltage	6 kV IEC 60947-1

The information provided in this documentation contains general descriptions and/or technical characteristics of the performance of the products contained herein. This documentation is not intended as a substitute for and is not to be used for determining suitability or reliability of these products for specific user applications. It is the duty of any such user or integrator to perform the appropriate and complete risk analysis, evaluation and testing of the products with respect to the relevant specific application or use thereof. Neither Schneider Electric Industries SAS nor any of its affiliates or subsidiaries shall be responsible or liable for misuse of the information contained herein.

[I <sub>e</sub> ] rated operational current	3 A 240 V, AC-15, A600 IEC 60947-5-1 6 A 120 V, AC-15, A600 IEC 60947-5-1 0,1 A 600 V, DC-13, Q600 IEC 60947-5-1 0,27 A 250 V, DC-13, Q600 IEC 60947-5-1 0,55 A 125 V, DC-13, Q600 IEC 60947-5-1 1,2 A 600 V, AC-15, A600 IEC 60947-5-1
Electrical durability	1000000 Cikli, AC-15, 2 A 230 V 3600 cikls/h 0,5 IEC 60947-5-1 appendix C 1000000 Cikli, AC-15, 3 A 120 V 3600 cikls/h 0,5 IEC 60947-5-1 appendix C 1000000 Cikli, AC-15, 4 A 24 V 3600 cikls/h 0,5 IEC 60947-5-1 appendix C 1000000 Cikli, DC-13, 0,2 A 110 V 3600 cikls/h 0,5 IEC 60947-5-1 appendix C 1000000 cikli, DC-13, 0,5 A 24 V 3600 cikls/h 0,5 IEC 60947-5-1 appendix C
Electrical reliability	$\Lambda < 10\exp(-6)$ 5 V 1 mA in clean environment IEC 60947-5-4 $\Lambda < 10\exp(-8)$ 17 V 5 mA in clean environment IEC 60947-5-4
Signāla veids	Steady
Gaismas avots	Universal LED
Supply voltage limits	19,2...30 V DC 21,6...26,4 V AC
Strāvas patēriņš	18 mA
Service life	100000 h at rated voltage and 25 °C
Surge withstand	1 kV IEC 61000-4-5
Ierīces komplektācija	Nokomplektēts produkts

## Vide




Aizsargparklājumus	TH
Apkārtējā gaisa temperatūra uzglabāšanai	-40...70 °C
Apkārtējā gaisa temperatūra darbībai	-40...70 °C
Electrical shock protection class	II klase IEC 60536
IP degree of protection	IP66 IEC 60529 IP67 IEC 60529 IP69 IP69K
NEMA degree of protection	NEMA 13 NEMA 4X
Triešējās turības klase (IK)	IK04 conforming to IEC 50102
Standarti	IEC 60947-5-1 IEC 60947-1 JIS C8201-5-1 IEC 60947-5-4 CSA C22.2 No 14 UL 508 JIS C8201-1
Produkta sertifikācija	LROS (Lloyds register of shipping) [RETURN]CSA[RETURN]DNV[RETURN]UL[RETURN]BV[RETURN]GL
Vibration resistance	5 gn 2...500 Hz)IEC 60068-2-6
Shock resistance	30 gn 18 ms) half sine wave acceleration IEC 60068-2-27 50 gn 11 ms) half sine wave acceleration IEC 60068-2-27
Resistance to fast transients	2 kV IEC 61000-4-4
Resistance to electromagnetic fields	10 V/m IEC 61000-4-3
Resistance to electrostatic discharge	6 KV on contact (on metal parts) IEC 61000-4-2 8 kV in free air (in insulating parts) IEC 61000-4-2
Electromagnetic emission	Class B IEC 55011

## Iepakojšanas vienības

Pirmā iepakojuma vienības tips	PCE
Vienību skaits 1. iepakojumā	1
1. iepakojuma augstums	8,6 cm
1. iepakojuma platums	5,2 cm
1. iepakojuma garums	3,3 cm
1. iepakojuma svars	60 g
Otrā iepakojuma vienības tips	BB1
Vienību skaits 2. iepakojumā	5
2. iepakojuma augstums	8,6 cm

2. iepakojuma platums	26,5 cm
2. iepakojuma garums	3,3 cm
2. iepakojuma svars	305 g
Trešā iepakojuma vienības tips	S03
Vienību skaits 3. iepakojumā	150
3. iepakojuma augstums	30 cm
3. iepakojuma platums	30 cm
3. iepakojuma garums	40 cm
3. iepakojuma svars	9,523 kg

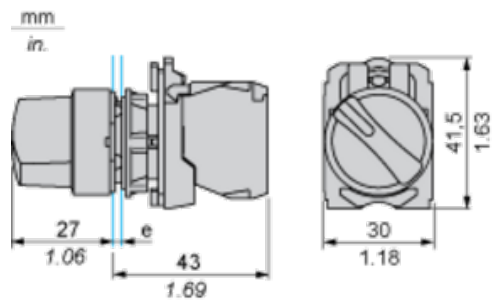
## Piedāvājam ilgtspēju

REACH regula	 <a href="#">REACH Deklarācija</a>
ES RoHS direktīva	Proaktīva atbilstība (uz izstrādājumu neattiecas ES RoHS juridiskās saistības)
Nesatur dzīvsudrabu	Jā
Ķīnas RoHS regula	 <a href="#">Ķīnas RoHS Deklarācija</a>
Informācija par RoHS izņēmumiem	 Jā
WEEE	Eiropas Savienības tirgū no šī produkta ir jāatbrīvojas, ievērojot noteiktu atkritumu savākšanas kārtību, un produkts nedrīkst nonākt sadzīves atkritumu tvertnēs.

## Līguma garantija

Garantija	18 months
-----------	-----------

Dimensions



e: clamping thickness: 1 to 6 mm / 0.04 to 0.24 in.

Panel Cut-out for Pushbuttons, Switches and Pilot Lights (Finished Holes, Ready for Installation)

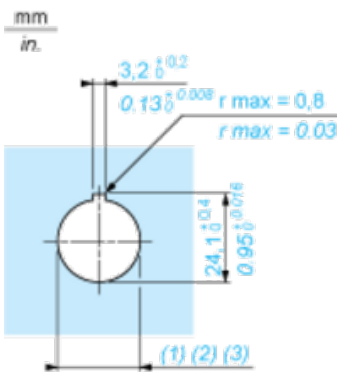
Connection by Screw Clamp Terminals or Plug-in Connectors or on Printed Circuit Board



- (1) Diameter on finished panel or support
- (2) For selector switches and Emergency stop buttons, use of an anti-rotation plate type ZB5AZ902 is recommended.
- (3)  $\varnothing 22.5$  mm recommended ( $\varnothing 22.3 \text{ }_0^{+0.4}$ ) /  $\varnothing 0.89$  in. recommended ( $\varnothing 0.88 \text{ in. }_0^{+0.016}$ )

Connections	a in mm	a in in.	b in mm	b in in.
By screw clamp terminals or plug-in connector	40	1.57	30	1.18
By Faston connectors	45	1.77	32	1.26
On printed circuit board	30	1.18	30	1.18

Detail of Lug Recess



- (1) Diameter on finished panel or support
- (2) For selector switches and Emergency stop buttons, use of an anti-rotation plate type ZB5AZ902 is recommended.
- (3)  $\varnothing 22.5$  mm recommended ( $\varnothing 22.3 \text{ }_0^{+0.4}$ ) /  $\varnothing 0.89$  in. recommended ( $\varnothing 0.88 \text{ in. }_0^{+0.016}$ )