

XB5AA31

Push button, Harmony XB5, plastic, flush, green, 22mm, spring return, unmarked, 1NO



Galvenā

Produkta sērija	Harmony XB5
Produkta vai sastāvdaļas veids	Spiedpoga
Ierīces īsais nosaukums	XB5
Bezel material	Plastic Dark grey plastic
Head type	Standard
Fixing collar material	Plastic
Mounting diameter	22,5 mm
Daudzums nedalāms	1
Shape of signaling unit head	Round
Type of operator	Spring return
Operator profile	Green flush, unmarked
Kontaktligzdas tips	1 NO
Contact operation	Slow-break
Connections - terminals	Screw clamp terminals, $\leq 2 \times 1.5 \text{ mm}^2$ with cable end IEC 60947-1 Screw clamp terminals, $1 \times 0.22...2 \times 2.5 \text{ mm}^2$ without cable end IEC 60947-1

Papildinošs

Augstums	42 mm
Platums	30 mm
Dziļums	52 mm
Terminals description ISO n°1	(13-14)NO
Neto svars	0,037 kg
Resistance to high pressure washer	7000000 Pa 55 °C 0.1 m
Contacts usage	Standard contacts
Positive opening	Without
Operating travel	2,6 Mm NO changing electrical state) 4,3 mm total travel)
Operating force	3,8 N NO changing electrical state
Mehāniskā izturība	10000000 cikli
Tightening torque	0,8...1,2 N.m IEC 60947-1
Shape of screw head	Krusts Philips no 1 Krusts pozidriv No 1 Slotted flat Ø 4 mm Slotted flat Ø 5.5 mm
Kontaktligzdas materiāls	Silver alloy (Ag/Ni)
Short-circuit protection	10 A cartridge fuse gG IEC 60947-5-1
[I _{th}] conventional free air thermal current	10 A IEC 60947-5-1
[U _i] rated insulation voltage	600 V 3)IEC 60947-1
[U _{imp}] rated impulse withstand voltage	6 kV IEC 60947-1
[I _e] rated operational current	3 A 240 V, AC-15, A600 IEC 60947-5-1 6 A 120 V, AC-15, A600 IEC 60947-5-1 0,1 A 600 V, DC-13, Q600 IEC 60947-5-1 0,27 A 250 V, DC-13, Q600 IEC 60947-5-1 0,55 A 125 V, DC-13, Q600 IEC 60947-5-1 1,2 A 600 V, AC-15, A600 IEC 60947-5-1

The information provided in this documentation contains general descriptions and/or technical characteristics of the performance of the products contained herein. This documentation is not intended as a substitute for and is not to be used for determining suitability or reliability of these products for specific user applications. It is the duty of any such user or integrator to perform the appropriate and complete risk analysis, evaluation and testing of the products with respect to the relevant specific application or use thereof. Neither Schneider Electric Industries SAS nor any of its affiliates or subsidiaries shall be responsible or liable for misuse of the information contained herein.

Electrical durability	1000000 Cikli AC-15, 2 A 230 V 3600 cikls/h 0,5 IEC 60947-5-1 appendix C 1000000 Cikli AC-15, 3 A 120 V 3600 cikls/h 0,5 IEC 60947-5-1 appendix C 1000000 Cikli AC-15, 4 A 24 V 3600 cikls/h 0,5 IEC 60947-5-1 appendix C 1000000 Cikli DC-13, 0,2 A 110 V 3600 cikls/h 0,5 IEC 60947-5-1 appendix C 1000000 cikli DC-13, 0,5 A 24 V 3600 cikls/h 0,5 IEC 60947-5-1 appendix C
Electrical reliability	$\Lambda < 10\exp(-6)$ 5 V 1 mA in clean environment IEC 60947-5-4 $\Lambda < 10\exp(-8)$ 17 V 5 mA in clean environment IEC 60947-5-4
Ierīces komplektācija	Nokomplektēts produkts
Customizable	No
Customizable	1
GCR BRIDGE	XB5AACUST01
Compatibility code	XB5

Vide

Aizsargparklājumus	TH
Apkārtējā gaisa temperatūra uzglabāšanai	-40...70 °C
Apkārtējā gaisa temperatūra darbībai	-40...70 °C
Overvoltage category	Class II IEC 60536
IP degree of protection	IP66 IEC 60529 IP67 IP69 IP69K
NEMA degree of protection	NEMA 13 NEMA 4X
Triecienizturības klase (IK)	IK03 conforming to IEC 50102
Standarti	UL 508 IEC 60947-5-4 CSA C22.2 No 14 JIS C8201-5-1 IEC 60947-5-1 IEC 60947-1 JIS C8201-1
Produkta sertifikācija	RINA[RETURN]DNV[RETURN]BV[RETURN]CSA[RETURN]LROS (Lloyds register of shipping)[RETURN]GL[RETURN]UL sarakstā
Vibration resistance	5 gn 2...500 Hz)IEC 60068-2-6
Shock resistance	30 gn 18 ms) half sine wave acceleration IEC 60068-2-27 50 gn 11 ms) half sine wave acceleration IEC 60068-2-27

Iepakojšanas vienības

Pirmā iepakojuma vienības tips	PCE
Vienību skaits 1. iepakojumā	1
1. iepakojuma augstums	3,500 cm
1. iepakojuma platums	5,500 cm
1. iepakojuma garums	8,500 cm
1. iepakojuma svars	35,600 g
Otrā iepakojuma vienības tips	S03
Vienību skaits 2. iepakojumā	150
2. iepakojuma augstums	30,000 cm
2. iepakojuma platums	30,000 cm
2. iepakojuma garums	40,000 cm
2. iepakojuma svars	5,861 kg
Trešā iepakojuma vienības tips	P06
Vienību skaits 3. iepakojumā	1200
3. iepakojuma augstums	75,000 cm
3. iepakojuma platums	80,000 cm
3. iepakojuma garums	60,000 cm
3. iepakojuma svars	54,888 kg

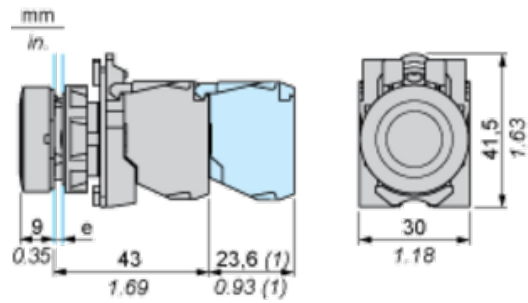
Piedāvājiēt ilgspēju

REACH regula	REACH Deklarācija
Nesatur REACH SVHC	Jā
ES RoHS direktīva	Proaktīva atbilstība (uz izstrādājumu neattiecas ES RoHS juridiskās saistības) ES RoHS deklarācija
Nesatur toksiskus smagos metālus	Jā
Nesatur dzīvsudrabu	Jā
Ķīnas RoHS regula	Ķīnas RoHS Deklarācija
Informācija par RoHS izņēmumiem	Jā
WEEE	Eiropas Savienības tirgū no šī produkta ir jāatbrīvojas, ievērojot noteiktu atkritumu savākšanas kārtību, un produkts nedrīkst nonākt sadzīves atkritumu tvertnēs.

Līguma garantija

Garantija	18 months
-----------	-----------

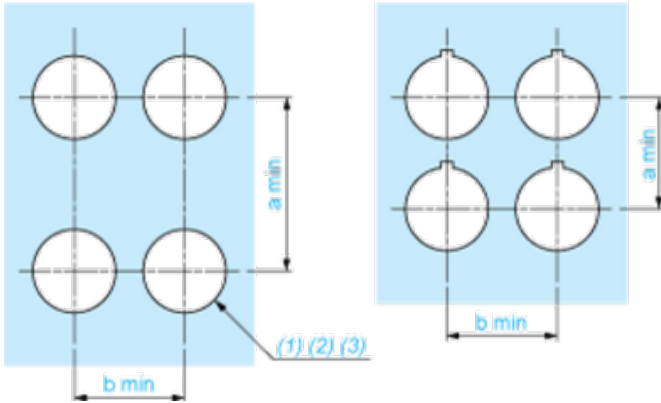
Dimensions



e: clamping thickness: 1 to 6 mm / 0.04 to 0.24 in.
(1) Additional row of contacts or double contact

Panel Cut-out for Pushbuttons, Switches and Pilot Lights (Finished Holes, Ready for Installation)

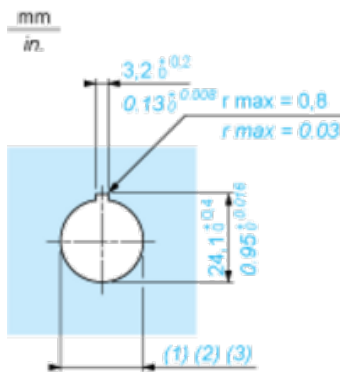
Connection by Screw Clamp Terminals or Plug-in Connectors or on Printed Circuit Board



- (1) Diameter on finished panel or support
- (2) For selector switches and Emergency stop buttons, use of an anti-rotation plate type ZB5AZ902 is recommended.
- (3) $\varnothing 22.5$ mm recommended ($\varnothing 22.3_0^{+0.4}$) / $\varnothing 0.89$ in. recommended ($\varnothing 0.88$ in. $_0^{+0.016}$)

Connections	a in mm	a in in.	b in mm	b in in.
By screw clamp terminals or plug-in connector	40	1.57	30	1.18
By Faston connectors	45	1.77	32	1.26
On printed circuit board	30	1.18	30	1.18

Detail of Lug Recess



- (1) Diameter on finished panel or support
- (2) For selector switches and Emergency stop buttons, use of an anti-rotation plate type ZB5AZ902 is recommended.
- (3) $\varnothing 22.5$ mm recommended ($\varnothing 22.3_0^{+0.4}$) / $\varnothing 0.89$ in. recommended ($\varnothing 0.88$ in. $_0^{+0.016}$)