

LED indoor light without sensor - Professional Line

RS PRO P1 flat

warm white
EAN 4007841 069704
Article number 069704



LED

30 years (Ø 4,5h / day)



indoor light



IP54



connectable with master



energy saving



plastic free packaging

5 years

manufacturer's warranty steinel.de/
garantie5y



Light source not exchangeable



Control gear not exchangeable

Function description

Circular classic. Perfect shape. Perfect efficiency. The perfect indoor light as version without sensor. The RS PRO P1 flat integrates harmoniously into corridors, hallways and stairwells. It combines timeless design and extremely easy installation with pioneering technology and can be interconnected with the sensor version by cable. Output: 8,2 W with 922 lm, 3000 K.

Technical specifications

Dimensions (Ø x H)	272 x 64 mm	Lamp	LED cannot be replaced
With lamp	Yes, STEINEL LED system	Base	without
With motion detector	No	LED cooling system	Passive Thermo Control
Manufacturer's Warranty	5 years	Soft light start	Yes
Version	warm white	Main light adjustable	No
PU1, EAN	4007841069704	Interconnection via	Cable
Application, place	Indoors	Lifetime LED according to IEC-62717 (L70)	100.000 h
Colour	white	Lifetime LED according to IEC-62717 (L80)	73.000 h
Installation site	ceiling	Lebensdauer LED nach IES TM-21 (L70)	>60.000 h
Installation	Ceiling	Lifetime LED according to IES TM-21 (L80)	>60.000 h
Impact resistance	IK03	Fuse protection B10	54
IP-rating	IP54	Fuse protection B16	87
Protection class	II	Fuse protection C10	90
Ambient temperature	-10 – 40 °C	Fuse protection C16	145
Housing material	Plastic	Output	8,2 W
Cover material	Plastic, opal		
Mains power supply	220 – 240 V / 50 – 60 Hz		

<https://www.steinel.de>

Subject to technical modifications

09.2023 Page 1 from 2

RS PRO P1 flat

warm white
EAN 4007841 069704
Article number 069704

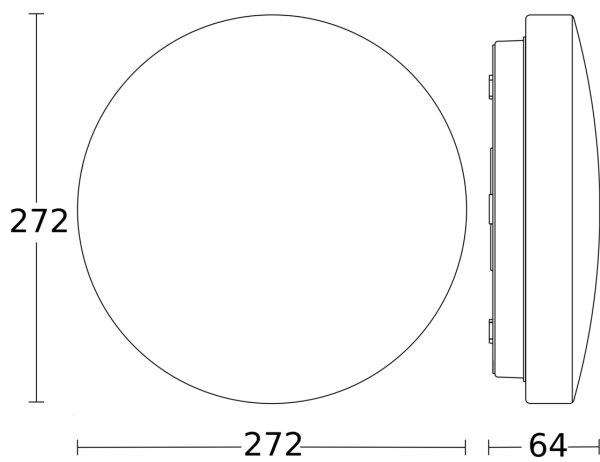


Technical specifications

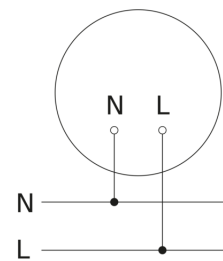
Luminous flux total product	922 lm
Total product efficiency	112 lm/W
Colour temperature	3000 K

Colour Rendering Index CRI	= 82
Photobiological safety in accordance with EN 62471	RG1
Starting current, maximum	13 A
IP-rating, ceiling	IP54

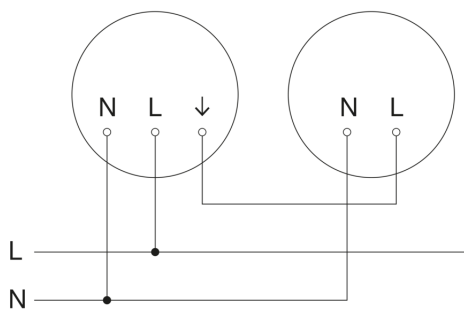
Dimension Drawing



Master circuit diagram



Master/slave interconnection circuit diagram



Master/slave interconnection circuit diagram

