

LED outdoor light without sensor

# GL 65

without motion detector  
EAN 4007841 069469  
Article number 069469



outdoor light

3000 K

3000K warm-white



IP44



IK03



energy saving

3 years

manufacturer's warranty



CE

## Function description

The GL 65 floor and path luminaires provide elegance around the house. Made of high-quality aluminium and a luminaire body made of opal glass, they are a perfect match for the L 605 S wall luminaire and our L 620 CAM SC camera sensor luminaire. Also available with sensor.

## Technical specifications

|   |  |
|---|--|
| With lamp                               | Yes, LED lamp  |
| Manufacturer's Warranty                 | 3 years  |
| With remote control                     | No   |
| Version                                 | without motion detector  |
| PU1, EAN                                | 4007841069469  |
| Application, place                      | Outdoors   |
| Application, room                       | outdoors, garden, front door, courtyard & driveway, all round the building |
| Colour                                  | Anthracite   |
| includes sheet of self-adhesive numbers | No   |
| Installation site                       | Stand mounted  |
| Impact resistance                       | IK03   |
| IP-rating                               | IP44   |
| Protection class                        | I  |
| Ambient temperature                     | -20 – 40 °C  |

|                               |                          |
|-------------------------------|--------------------------|
| Housing material              | Aluminium                |
| Cover material                | Glass opal               |
| Mains power supply            | 220 – 240 V / 50 – 60 Hz |
| Output                        | 8,5 W                    |
| Luminous flux total product   | 575 lm                   |
| Measured luminous flux (360°) | 575 lm                   |
| Total product efficiency      | 68 lm/W                  |
| Colour temperature            | 3000 K                   |
| Lamp                          | LED cannot be replaced   |
| Service life LED L70B50 (25°) | > 36000 h                |
| LED cooling system            | Passive Thermo Control   |
| Soft light start              | Yes                      |
| Interconnection               | No                       |
| Colour Rendering Index CRI    | = 80                     |

<https://www.steinel.de>

Subject to technical modifications

09.2023 Page 1 from 2

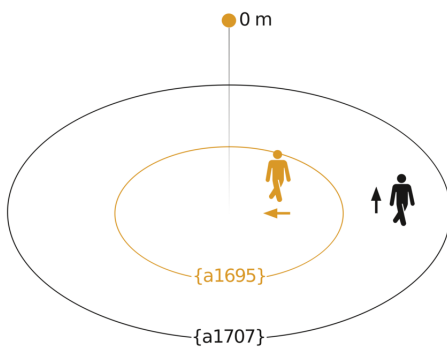
LED outdoor light without sensor

# GL 65

without motion detector  
EAN 4007841 069469  
Article number 069469

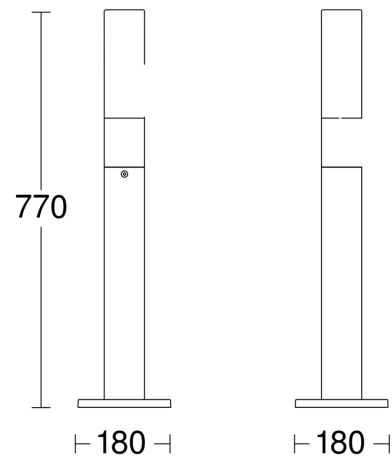


## Detection Zone

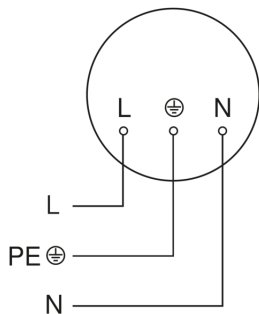


Possible mounting height: 0,00 m – 0,00 m  
Orange: radial  
Black: tangential

## Dimension Drawing



## Circuit diagram



## Circuit diagram

