

IR Quattro 8m

COM1 - Surface wiring
 EAN 4007841 592301
 Article number 592301



infrared sensor
360°



max. 4 x 4 m
presence

2000 W

2000 W max. (LED-
ready)



IP20



ideal 2.5 - 8 m



indoor sensor

iQ

iQ-mode

Teach

Teach mode



energy saving

5 years

manufacturer's
warranty steinel-
professional.de/
garantie

Function description

Squaring the circle. Infrared presence detector Presence Control PRO IR Quattro COM1 AP for indoors, ideal for small offices, store, service and utility rooms, washrooms and WCs, installation height up to 8 m, surface-mounting version for switching light 'ON' and 'OFF', 1760 switching zones for excellent detection quality, square presence detection zone covering 16 m², mechanically scalable.

Technical specifications

Dimensions (L x W x H)	71 x 120 x 120 mm	Capacitive load in µF	176 µF
Manufacturer's Warranty	5 years	Technology, sensors	passive infrared, Light sensor
Settings via	Remote control, DIP switches, Potentiometers, Smart Remote	Mounting height	2,50 – 8,00 m
With remote control	No	Mounting height max.	8,00 m
Version	COM1 - Surface wiring	Optimum mounting height	2,8 m
PU1, EAN	4007841592301	Detection angle	360 °
Type	Presence detector	Angle of aperture	100 °
Application, place	Indoors	Sneak-by guard	Yes
Application, room	one-person office, conference room / meeting room, duty room, recreation room, changing room, function room / ancillary room, kitchenette, Indoors	Capability of masking out individual segments	No
Colour	white	Electronic scalability	No
Colour, RAL	9010	Mechanical scalability	Yes
Includes corner wall mount	No	Reach, radial	5 x 5 m (25 m ²)
Installation site	ceiling	Reach, tangential	7 x 7 m (49 m ²)
Installation	Surface wiring, Ceiling	Reach, presence	4 x 4 m (16 m ²)
		Switching zones	1760 switching zones

IR Quattro 8m

COM1 - Surface wiring
 EAN 4007841 592301
 Article number 592301



Technical specifications

IP-rating	IP20
Ambient temperature	0 – 40 °C
Material	Plastic
Mains power supply	230 V / 50 – 60 Hz
Fluorescent lamps, electronic ballast	1500 W
Fluorescent lamps, uncorrected	1000 VA
Fluorescent lamps, series-corrected	1000 VA
Fluorescent lamps, parallel-corrected	1000 VA
Switching output 1, low-voltage halogen lamps	2000 VA
LED lamps < 2 W	100 W
LED lamps > 2 W < 8 W	300 W
LED lamps > 8 W	600 W

Functions	Normal / test mode, Semi-/fully automatic, Pushbutton / switch mode, Manual ON / ON-OFF
Twilight setting	10 – 1000 lx
Time setting	30 s – 30 Min.
Basic light level function	No
Main light adjustable	No
Twilight setting TEACH	Yes
Constant-lighting control	No
Interconnection	Yes
Type of interconnection	Master/master, Master/slave
Interconnection via	Cable
Interconnection, number	max. 10 sensors

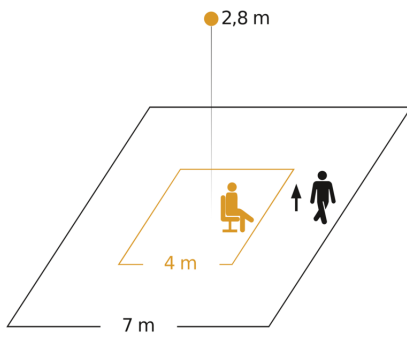
Accessories

EAN 4007841 000363	Surface-mounted adapter Control Pro IP54
EAN 4007841 003036	Control PRO guard cage
EAN 4007841 009151	Remote control Smart Remote
EAN 4007841 559410	Service remote control RC8

IR Quattro 8m

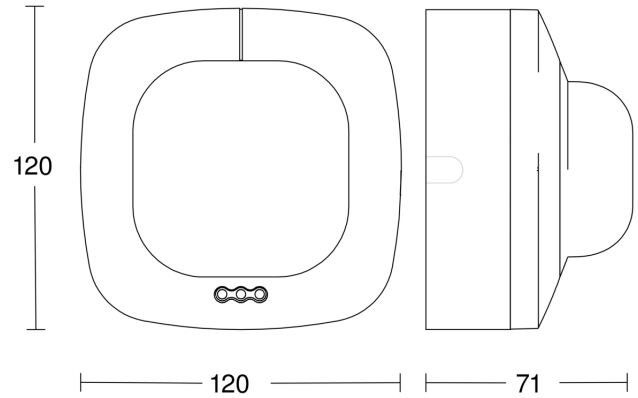
COM1 - Surface wiring
EAN 4007841 592301
Article number 592301

Detection Zone

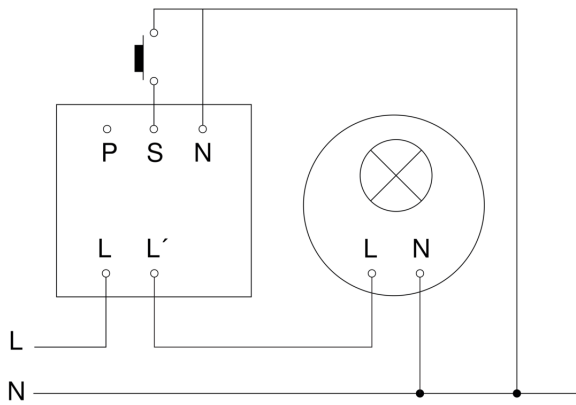


Possible mounting height: 2,50 m - 8,00 m
Orange: presence
Black: tangential

Dimension Drawing



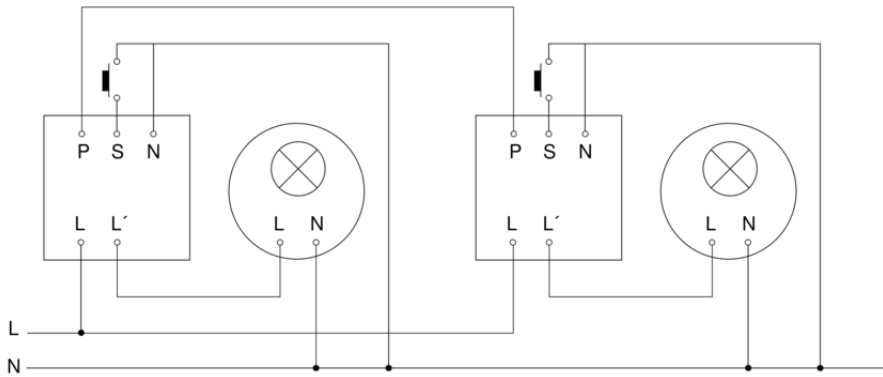
Master circuit diagram



IR Quattro 8m

COM1 - Surface wiring
EAN 4007841 592301
Article number 592301

Master/master interconnection circuit diagram



Master/slave interconnection circuit diagram

