

## Sensor-switched LED floodlight

# LS 150 S

white  
EAN 4007841 052553  
Article number 052553



LED

30 years (0 4,5h / day)

4000 K

4000K neutral white



infrared sensor  
240°



max. 10 m



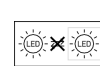
IP44



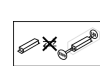
2 - 1000 lux



10 sec - 15 min



Light source not  
exchangeable



Control gear not  
exchangeable



energy saving

### Function description

Extremely bright, robust and vigilant: the LS 150 S sensor-switched floodlight. On-demand light for illuminating large areas around buildings. Infrared sensor with 240° angle of coverage and 12 m reach. Light output 1486 lm, colour temperature 4000 K, power consumption 14,7 W. Robust aluminium floodlight head. Available in black or white.

### Technical specifications

Dimensions (L x W x H)	176 x 155 x 210 mm
With lamp	Yes, STEINEL LED system
With motion detector	Yes
Manufacturer's Warranty	3 years
Settings via	Potentiometers
Version	white
PU1, EAN	4007841052553
Application, place	Outdoors
Application, room	outdoors, all round the building, courtyard & driveway
Colour	white
Includes corner wall mount	No
Installation site	wall, corner
Installation	Wall, corner, Surface wiring
Impact resistance	IK03
IP-rating	IP44
Protection class	I

Sneak-by guard	Yes
Reach, tangential	r = 12 m (302 m <sup>2</sup> )
Abdeckmaterial Lieferumfang	shrouds
Luminous flux total product	1375 lm
Measured luminous flux (360°)	1486 lm
Total product efficiency	94 lm/W
Colour temperature	4000 K
Colour variation LED	SDCM3
Lamp	LED cannot be replaced
LED life expectancy (max. °C)	50000 h
Service life LED L70B50 (25°)	> 36000 h
Soft light start	No
Twilight setting	2 - 1000 lx
Time setting	10 s - 15 Min.
Main light adjustable	No
Interconnection	No
Output	14,7 W

Sensor-switched LED floodlight

# LS 150 S

white  
EAN 4007841 052553  
Article number 052553



## Technical specifications

Ambient temperature	-10 – 30 °C	Colour Rendering Index CRI	= 80
Housing material	Aluminium	Optimum mounting height	2 m
Cover material	Glass transparent	Detection angle	240 °
Mains power supply	220 – 240 V / 50 – 60 Hz		
Mounting height max.	4,00 m		

## Accessories

EAN 4007841 630669

Corner wall mount for LS 150 S

Sensor-switched LED floodlight

# LS 150 S

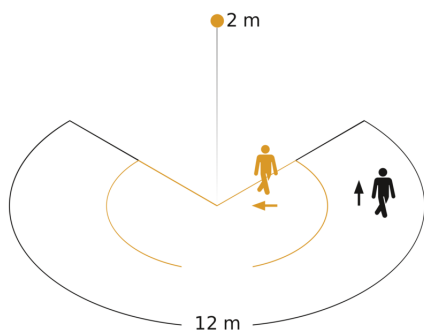
white

EAN 4007841 052553

Article number 052553



## Detection Zone

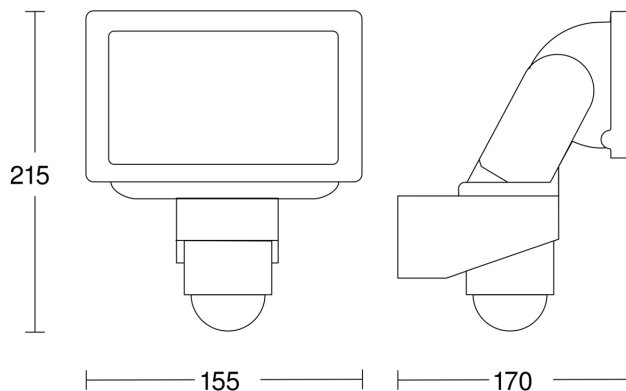


Possible mounting height: 1,80 m - 4,00 m

Orange: radial

Black: tangential

## Dimension Drawing



## Circuit diagram

