

Motion detector - Professional Line

IS 2360 DE ECO 8m

white
EAN 4007841 034733
Article number 034733



infrared sensor 360°



max. 4 m

1000 W

1000 W max. (LED-ready)



IP54



2 - 2000 lux



8 sec - 35 min



energy saving

5 years

manufacturer's warranty steinel-professional.de/garantie



CE

Function description

Intelligent technology for installation. Infrared wall sensor IS 2360 DE ECO, for indoors and out, ideal for installing in projecting roofs and suspended ceilings, 360° angle of coverage, reach can be set up to 8 m in diameter, selectable time and twilight threshold, detection zone can be customised with shrouds.

Technical specifications

Dimensions (Ø x H)	78 x 89 mm	LED lamps < 2 W	16 W
With motion detector	Yes	LED lamps > 2 W < 8 W	64 W
Manufacturer's Warranty	5 years	LED lamps > 8 W	64 W
Settings via	Potentiometers	Capacitive load in µF	132 µF
With remote control	No	Technology, sensors	passive infrared, Light sensor
Version	white	Mounting height	2,2 – 4 m
PU1, EAN	4007841034733	Mounting height max.	4,00 m
Type	Motion detectors	Optimum mounting height	2,5 m
Application, place	Outdoors, Indoors	Detection angle	360 °
Application, room	corridor / aisle, changing room, function room / ancillary room, kitchenette, stairwell, WC / washroom, outdoors, front door, all round the building, terrace / balcony, Indoors	Angle of aperture	180 °
Colour	white	Sneak-by guard	Yes
Colour, RAL	9010	Capability of masking out individual segments	Yes
Includes corner wall mount	No	Electronic scalability	No
Installation site	ceiling	Mechanical scalability	No
		Reach, radial	Ø 4 m (13 m ²)
		Reach, tangential	Ø 8 m (50 m ²)

<https://www.steinel.de>

Subject to technical modifications

10.2023 Page 1 from 3

IS 2360 DE ECO 8m

white
 EAN 4007841 034733
 Article number 034733



Technical specifications

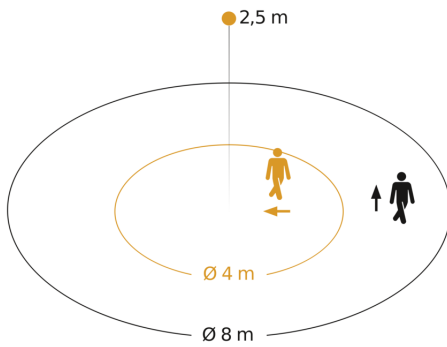
Installation	In-ceiling installation, Ceiling
IP-rating	IP54
Protection class	II
Ambient temperature	-20 – 40 °C
Material	Plastic
Mains power supply	220 – 240 V / 50 – 60 Hz
Switching output 1, number of LEDs / fluorescent lamps	6 pcs.
Fluorescent lamps, electronic ballast	430 W
Fluorescent lamps, uncorrected	500 VA
Fluorescent lamps, series-corrected	406 VA
Fluorescent lamps, parallel-corrected	406 VA
Switching output 1, low-voltage halogen lamps	1000 VA

Abdeckmaterial Lieferumfang	shrouds
Twilight setting	2 – 2000 lx
Time setting	8 s – 35 Min.
Basic light level function	No
Main light adjustable	No
Twilight setting TEACH	No
Constant-lighting control	No
Interconnection	Yes
Type of interconnection	Master/master
Interconnection via	Cable

IS 2360 DE ECO 8m

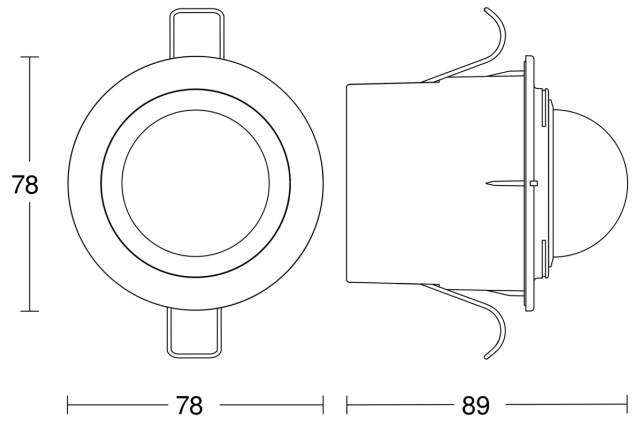
white
EAN 4007841 034733
Article number 034733

Detection Zone



Possible mounting height: 2,20 m - 4,00 m
Orange: radial
Black: tangential

Dimension Drawing



Circuit diagram

