

IS 3360

COM1 - surface, rd. white
 EAN 4007841 033446
 Article number 033446



infrared sensor
360°



max. 20 m

2000 W

2000 W max. (LED-ready)



IP54



2 - 1000 lux



5 sec - 15 min



manual override 4h



ideal 2,5 - 4 m

Teach

Teach mode



energy saving

Function description

Higher, further, faster. Infrared presence detector IS 3360 for indoors and out, ideal for watching over high spaces and large areas, such as multi-storey and underground car parks, installation height up to 4 m, 360° angle of coverage, reach 20 m max. (tangential), large terminal compartment for easy installation, heavy-duty relay for high switching capacity. Available either in round or square surface-mounted, concealed or In-ceiling installation.

Technical specifications

| | | | |
|-------------------------|--|---|--------------------------------|
| Dimensions (Ø x H) | 126 x 65 mm | LED lamps > 8 W | 600 W |
| With motion detector | Yes | Capacitive load in µF | 176 µF |
| Manufacturer's Warranty | 5 years | Technology, sensors | passive infrared, Light sensor |
| Settings via | Remote control, Potentiometers, Smart Remote | Mounting height | 2,50 – 4,00 m |
| With remote control | No | Mounting height max. | 4,00 m |
| Version | COM1 - surface, rd. white | Optimum mounting height | 2,8 m |
| PU1, EAN | 4007841033446 | Detection angle | 360 ° |
| Type | Motion and Presence Detector | Angle of aperture | 180 ° |
| Application, place | Outdoors, Indoors | Sneak-by guard | Yes |
| Application, room | production facilities, recreation room, changing room, function room / ancillary room, sports hall, reception / lobby, stairwell, WC / washroom, multi-storey / underground car park, outdoors, warehouse, Indoors | Capability of masking out individual segments | Yes |
| Colour | white | Electronic scalability | No |
| Colour, RAL | 9003 | Mechanical scalability | No |
| | | Reach, radial | Ø 8 m (50 m ²) |
| | | Reach, tangential | Ø 40 m (1257 m ²) |
| | | Reach, presence | Ø 3 m (7 m ²) |
| | | Switching zones | 1416 switching zones |

IS 3360

COM1 - surface, rd. white
 EAN 4007841 033446
 Article number 033446



Technical specifications

| | |
|--|--------------------------|
| Includes corner wall mount | No |
| Installation site | ceiling |
| Installation | Surface wiring, Ceiling |
| IP-rating | IP54 |
| Ambient temperature | -20 – 50 °C |
| Material | Plastic |
| Mains power supply | 220 – 240 V / 50 – 60 Hz |
| Switching output 1, resistive | 2000 W |
| Switching output 1, number of LEDs / fluorescent lamps | 8 pcs. |
| Fluorescent lamps, electronic ballast | 1500 W |
| Fluorescent lamps, uncorrected | 1000 VA |
| Fluorescent lamps, series-corrected | 400 VA |
| Fluorescent lamps, parallel-corrected | 400 VA |
| Switching output 1, low-voltage halogen lamps | 2000 VA |
| LED lamps < 2 W | 100 W |
| LED lamps > 2 W < 8 W | 300 W |

| | |
|----------------------------|--|
| Functions | Normal / test mode, Manual ON / ON-OFF |
| Twilight setting | 2 – 1000 lx |
| Time setting | 5 s – 15 Min. |
| Basic light level function | No |
| Main light adjustable | No |
| Twilight setting TEACH | Yes |
| Constant-lighting control | No |
| Interconnection | Yes |
| Type of interconnection | Master/master |
| Interconnection via | Cable |
| Interconnection, number | max. 10 sensors |

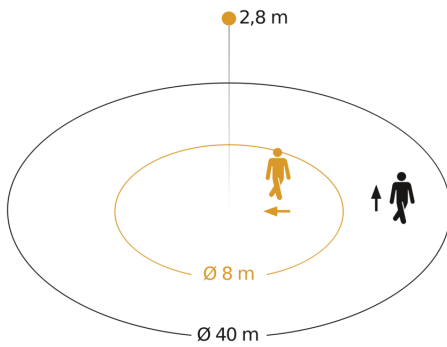
Accessories

| | |
|--------------------|-----------------------------|
| EAN 4007841 009151 | Remote control Smart Remote |
| EAN 4007841 559410 | Service remote control RC8 |
| EAN 4007841 056735 | Black cover for IR-sensors |

IS 3360

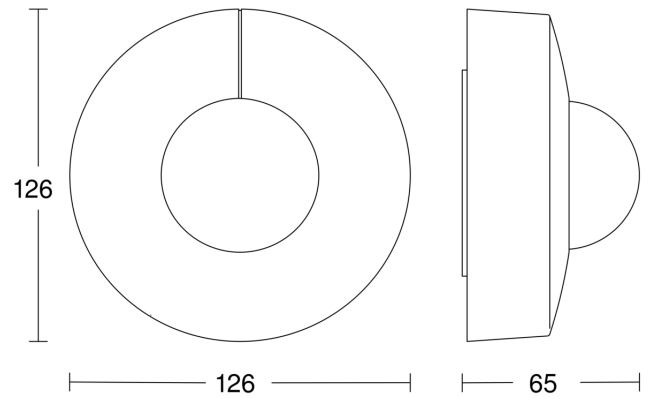
COM1 - surface, rd. white
EAN 4007841 033446
Article number 033446

Detection Zone

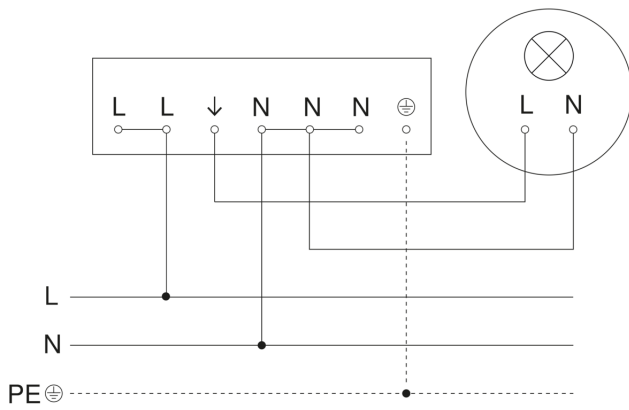


Possible mounting height: 2,50 m - 4,00 m
Orange: radial
Black: tangential

Dimension Drawing



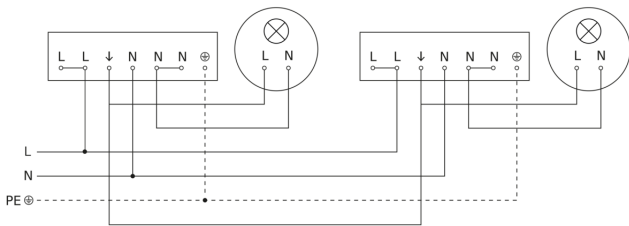
Circuit diagram



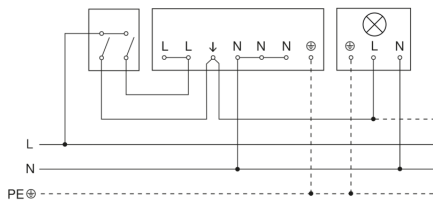
IS 3360

COM1 - surface, rd. white
EAN 4007841 033446
Article number 033446

Circuit diagram for interconnecting several sensors



Connection using two-circuit switch for manual and automatic operation



Circuit diagram Connection via a changeover switch for continuous and automatic operation

