

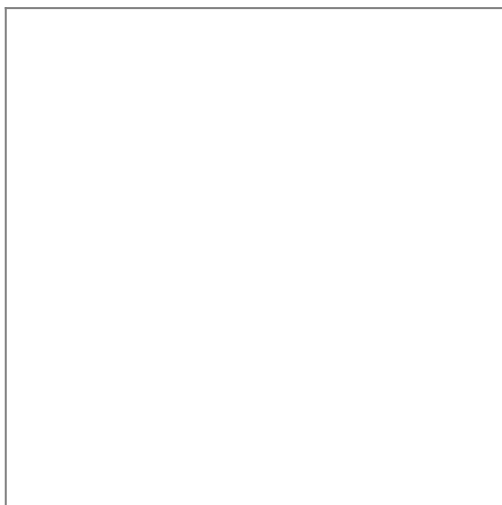
Sensor-switched LED floodlight

XLED slim S

Anthracite

EAN 4007841 012052

Article number 012052



LED

3000 K



infrared sensor
160°



max. 8 m



IP44



2 - 1000 lux



2 sec - 70 min



Light source not
exchangeable



Control gear not
exchangeable



ideal 2 m

Function description

Light meets elegance. Elegantly designed sensor LED floodlight XLED slim S with 7,2 W, ideal for building entrances and pathways, pleasant and effective light (648 lm) requiring very little energy, sensor reach of up to 8 m.

Technical specifications

Dimensions (L x W x H)	201 x 66 x 241 mm
With lamp	Yes, STEINEL LED system
With motion detector	Yes
Manufacturer's Warranty	3 years
Settings via	Potentiometers
Version	Anthracite
PU1, EAN	4007841012052
Application, place	Outdoors
Application, room	outdoors, all round the building, terrace / balcony
Colour	Anthracite
Includes corner wall mount	No
Installation site	wall
Installation	Wall, Surface wiring
Impact resistance	IK03
IP-rating	IP44
Protection class	I
Ambient temperature	-20 – 40 °C

Mechanical scalability	No
Reach, radial	r = 4 m (22 m ²)
Reach, tangential	r = 8 m (89 m ²)
Photo-cell controller	Yes
Abdeckmaterial Lieferumfang	sticker
Luminous flux total product	648 lm
Measured luminous flux (360°)	648 lm
Total product efficiency	90 lm/W
Colour temperature	3000 K
Colour variation LED	SDCM3
Lamp	LED cannot be replaced
LED life expectancy (max. °C)	50000 h
Service life LED L70B50 (25°)	> 60000 h
Drop in luminous flux in accordance with LM80	L70B10
LED cooling system	Active and Passive Thermo Control
Soft light start	No

<https://www.steinel.de>

Subject to technical modifications

09.2023 Page 1 from 3

Sensor-switched LED floodlight

XLED slim S

Anthracite

EAN 4007841 012052

Article number 012052



Technical specifications

Housing material	Aluminium
Cover material	Plastic, transparent
Mains power supply	220 – 240 V / 50 – 60 Hz
Mounting height max.	4,00 m
Sneak-by guard	Yes
Electronic scalability	No

Time setting	2 s – 70 Min.
Main light adjustable	No
Interconnection	No
Output	7,2 W
Colour Rendering Index CRI	= 82
Optimum mounting height	2,2 m
Detection angle	160 °

Sensor-switched LED floodlight

XLED slim S

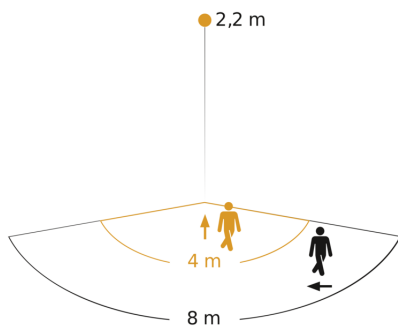
Anthracite

EAN 4007841 012052

Article number 012052



Detection Zone

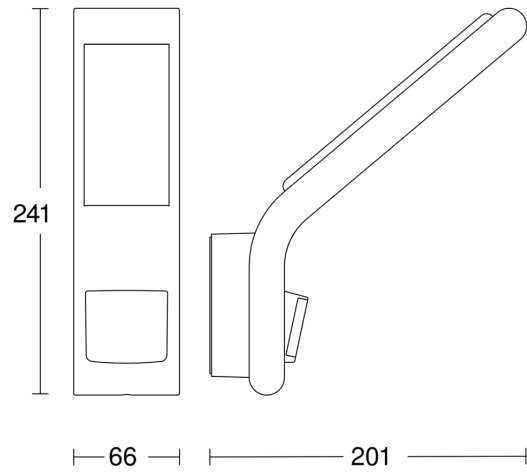


Possible mounting height: 1,80 m - 4,00 m

Orange: radial

Black: tangential

Dimension Drawing



Circuit diagram

