

DualTech

COM1 - Concealed wiring
 EAN 4007841 007997
 Article number 007997



ultrasonic sensor
360°



infrared sensor
360°



max. Ø 6 m
presence

2000 W

2000 W max. (LED-
ready)



IP20



ideal 2,5 - 3,5 m



indoor sensor

iQ

iQ-mode

Teach

Teach mode



energy saving

Function description

The best of both worlds. Combined in one detector. Ultrasonic presence detector DualTech, ideal for offices, conference rooms and class rooms. 36 sq.m. presence zone, ultrasonic technology provides reliable detection behind objects regardless of temperature, additional detection capability with PIR technology, electronic adjustment for ultrasonic reach, COM1 for switching light ON and OFF.

Technical specifications

Dimensions (L x W x H)	66 x 120 x 120 mm	Technology, sensors	Ultrasonic, passive infrared, Light sensor
Manufacturer's Warranty	5 years	Mounting height	2,50 – 3,50 m
Settings via	Remote control, DIP switches, Potentiometers, Smart Remote	Mounting height max.	3,50 m
With remote control	No	Optimum mounting height	2,8 m
Version	COM1 - Concealed wiring	Ultrasonic technology	40 kHz
PU1, EAN	4007841007997	Detection angle	360 °
Type	Presence detector	Angle of aperture	180 °
Application, place	Indoors	Sneak-by guard	Yes
Application, room	classroom, one-person office, open-plan office, conference room / meeting room, duty room, recreation room, Indoors	Capability of masking out individual segments	No
Colour	white	Electronic scalability	Yes
Colour, RAL	9010	Mechanical scalability	No
Includes corner wall mount	No	Reach, radial	Ultrasonic: Ultraschall: Ø 10 m (Ultraschall: 79 m ²)
Installation site	ceiling	Reach, tangential	Ultrasonic: Ultraschall: Ø 10 m (Ultraschall: 79 m ²)
Installation	Concealed wiring, Ceiling	Reach, presence	Ultrasonic: Ultraschall: Ø 6 m (Ultraschall: 28 m ²)

DualTech

COM1 - Concealed wiring
 EAN 4007841 007997
 Article number 007997



Technical specifications

IP-rating	IP20
Ambient temperature	-25 – 55 °C
Material	Plastic
Mains power supply	220 – 240 V / 50 – 60 Hz
Fluorescent lamps, electronic ballast	1500 W
Fluorescent lamps, uncorrected	1000 VA
Fluorescent lamps, series-corrected	1000 VA
Fluorescent lamps, parallel-corrected	1000 VA
Switching output 1, low-voltage halogen lamps	2000 VA
LED lamps < 2 W	100 W
LED lamps > 2 W < 8 W	300 W
LED lamps > 8 W	600 W
Capacitive load in µF	176 µF
Sensor Technology 2	passive infrared

Reach, radial 2	passive infrared: Passiv Infrarot: Ø 4 m (Passiv Infrarot: 13 m²)
Reach, tangential 2	passive infrared: Passiv Infrarot: Ø 8 m (Passiv Infrarot: 50 m²)
Reach, presence 2	passive infrared: Passiv Infrarot: Ø 4 m (Passiv Infrarot: 13 m²)
Functions	Normal / test mode, Semi-/fully automatic, Pushbutton / switch mode, Manual ON / ON-OFF
Twilight setting	10 – 1000 lx
Time setting	30 s – 30 Min.
Basic light level function	No
Main light adjustable	No
Twilight setting TEACH	Yes
Constant-lighting control	No
Interconnection	Yes
Type of interconnection	Master/master, Master/slave
Interconnection via	Cable
Interconnection, number	max. 10 sensors

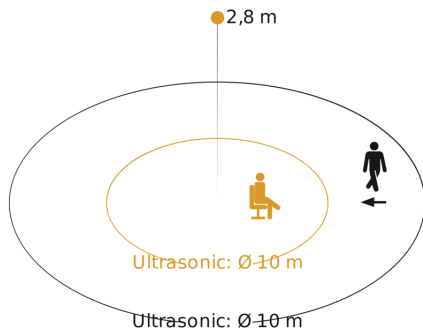
Accessories

EAN 4007841 009151	Remote control Smart Remote
EAN 4007841 559410	Service remote control RC8

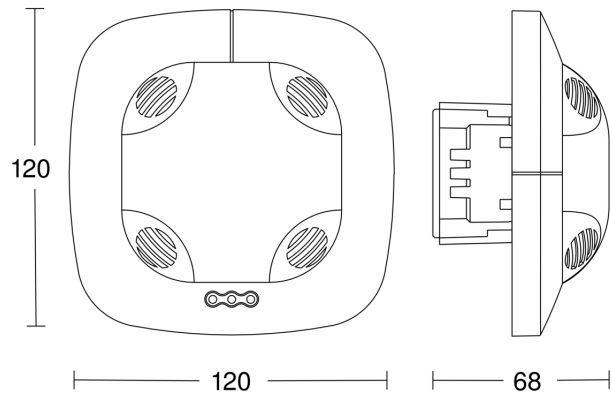
DualTech

COM1 - Concealed wiring
EAN 4007841 007997
Article number 007997

Detection Zone

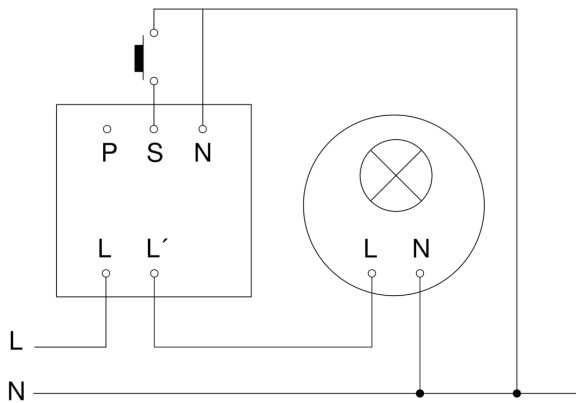


Dimension Drawing



Possible mounting height: 2,50 m - 3,50 m
Orange: presence and tangential
Black: radial

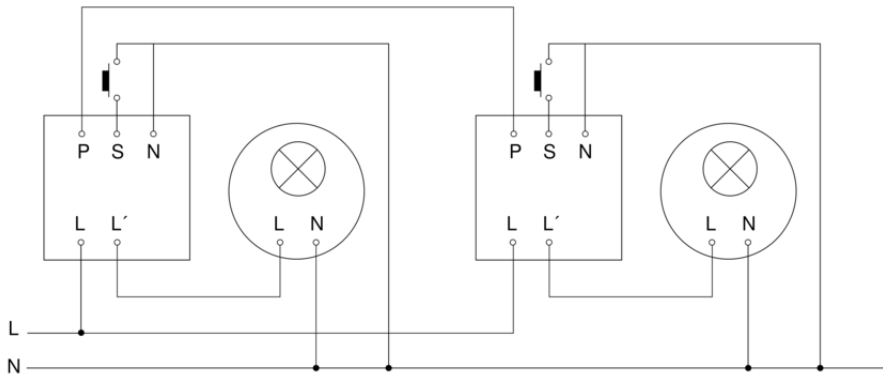
Master circuit diagram



DualTech

COM1 - Concealed wiring
EAN 4007841 007997
Article number 007997

Master/master interconnection circuit diagram



Master/slave interconnection circuit diagram

