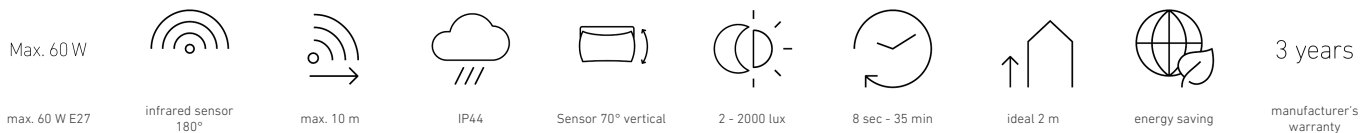


Sensor-switched outdoor light

# L 585 S

white  
EAN 4007841 005917  
Article number 005917



## Function description

Individualist all round. Outdoor SensorLight L 585 S, ideal for building fronts and entrances, 180° angle of coverage, reach up to 10 m, selectable time and twilight threshold, sensor tilts through 70° for exact adjustment of the detection zone.

## Technical specifications

Dimensions (L x W x H)	229 x 215 x 312 mm	Mounting height max.	3,00 m
With lamp	No	Slave modeselectable	No
Manufacturer's Warranty	3 years	Sneak-by guard	Yes
Settings via	Potentiometers	Capability of masking out individual segments	Yes
With remote control	No	Electronic scalability	No
Version	white	Mechanical scalability	No
PU1, EAN	4007841005917	Reach, radial	r = 3 m (14 m <sup>2</sup> )
Application, place	Outdoors	Reach, tangential	r = 10 m (157 m <sup>2</sup> )
Application, room	outdoors, front door, all round the building, terrace / balcony, courtyard & driveway	Photo-cell controller	Yes
Installation site	wall	Abdeckmaterial Lieferumfang	sticker
Impact resistance	IK03	Lamp	All-purpose lamp
IP-rating	IP44	Base	E27
Protection class	II	Soft light start	No
Ambient temperature	-20 – 40 °C	Twilight setting	2 – 2000 lx
Housing material	Plastic	Time setting	8 s – 35 Min.
Cover material	Glass transparent	Basic light level function	No
		Interconnection	No

<https://www.steinel.de>

Subject to technical modifications

09.2023 Page 1 from 2

Sensor-switched outdoor light

# L 585 S

white  
EAN 4007841 005917  
Article number 005917

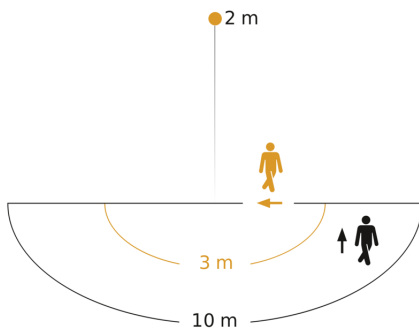


## Technical specifications

Mains power supply	230 – 240 V / 50 Hz
Output	60 W
Power consumption	0,55 W

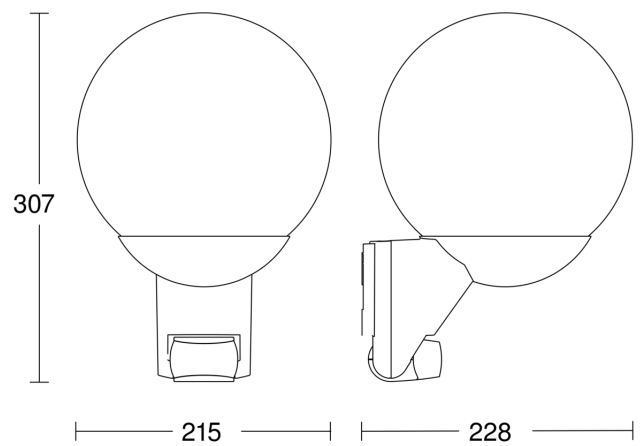
Optimum mounting height	2 m
Detection angle	180 °

## Detection Zone



Possible mounting height: 1,80 m - 3,00 m  
Orange: radial  
Black: tangential

## Dimension Drawing



## Circuit diagram

