

Dual HF

COM1 - Concealed wiring
 EAN 4007841 002978
 Article number 002978



high frequency sensor 360°



max. 20 x 3 m

2000 W

2000 W max. (LED-ready)



IP20



ideal 2.5 - 3.5 m



indoor sensor

iQ

iQ-mode

Teach

Teach mode



energy saving

5 years

manufacturer's warranty steinel-professional.de/garantie

Function description

Twice as vigilant! High-frequency corridor sensor Presence Control PRO Dual HF COM1 for indoors, ideal for passageways and long corridors, installation height up to 3.5 m, for switching light 'ON' and 'OFF', DUAL-HF technology for detecting radial movement over up to 20 m in two directions, detection regardless of temperature, HF-sensor technology detects movement through glass, wood and stud walls, switches light 'ON' almost instantly.

Technical specifications

Dimensions (L x W x H)	74 x 120 x 120 mm	Technology, sensors	High frequency, Light sensor
Manufacturer's Warranty	5 years	Mounting height	2,50 – 3,50 m
Settings via	Remote control, DIP switches, Potentiometers, Smart Remote	Mounting height max.	3,50 m
With remote control	No	Optimum mounting height	2,8 m
Version	COM1 - Concealed wiring	HF-system	5,8 GHz
PU1, EAN	4007841002978	Detection	also through glass, wood and stud walls
Type	Presence detector	Detection angle	Aisle, 360 °
Application, place	Indoors	Angle of aperture	140 °
Application, room	corridor / aisle, Indoors	Sneak-by guard	Yes
Colour	white	Capability of masking out individual segments	No
Colour, RAL	9010	Electronic scalability	Yes
Includes corner wall mount	No	Mechanical scalability	No
Installation site	ceiling	Reach, radial	20 x 3 m (60 m ²)
Installation	Concealed wiring, Ceiling	Reach, tangential	20 x 3 m (60 m ²)
IP-rating	IP20	Transmitter power	< 1 mW
Ambient temperature	-25 – 55 °C		

Dual HF

COM1 - Concealed wiring
 EAN 4007841 002978
 Article number 002978



Technical specifications

Material	Plastic
Mains power supply	230 V / 50 – 60 Hz
Fluorescent lamps, electronic ballast	1500 W
Fluorescent lamps, uncorrected	1000 VA
Fluorescent lamps, series-corrected	1000 VA
Fluorescent lamps, parallel-corrected	1000 VA
Switching output 1, low-voltage halogen lamps	2000 VA
LED lamps < 2 W	100 W
LED lamps > 2 W < 8 W	300 W
LED lamps > 8 W	600 W
Capacitive load in µF	176 µF

Functions	Normal / test mode, Semi-/fully automatic, Pushbutton / switch mode, Manual ON / ON-OFF
Twilight setting	10 – 1000 lx
Time setting	30 s – 30 Min.
Basic light level function	No
Main light adjustable	No
Twilight setting TEACH	Yes
Constant-lighting control	No
Interconnection	Yes
Type of interconnection	Master/master, Master/slave
Interconnection via	Cable
Interconnection, number	max. 10 sensors

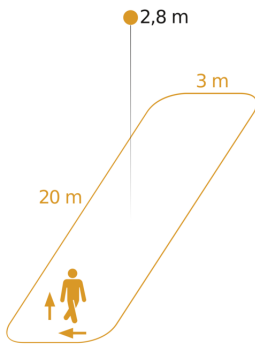
Accessories

EAN 4007841 000363	Surface-mounted adapter Control Pro IP54
EAN 4007841 003036	Control PRO guard cage
EAN 4007841 009151	Remote control Smart Remote
EAN 4007841 006600	HF-ceiling adapter
EAN 4007841 559410	Service remote control RC8

Dual HF

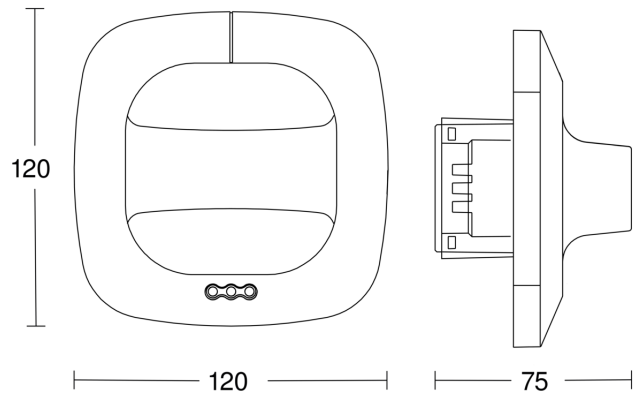
COM1 - Concealed wiring
EAN 4007841 002978
Article number 002978

Detection Zone

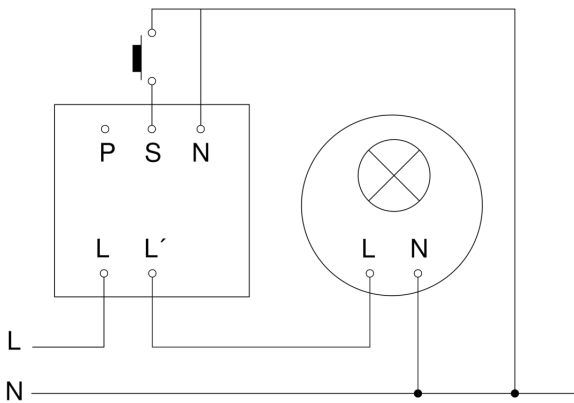


Possible mounting height: 2,50 m - 3,50 m
Orange: radial and tangential

Dimension Drawing



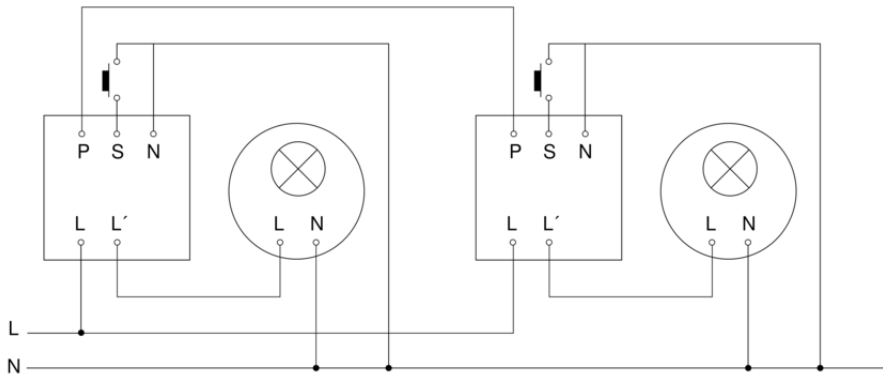
Master circuit diagram



Dual HF

COM1 - Concealed wiring
EAN 4007841 002978
Article number 002978

Master/master interconnection circuit diagram



Master/slave interconnection circuit diagram

