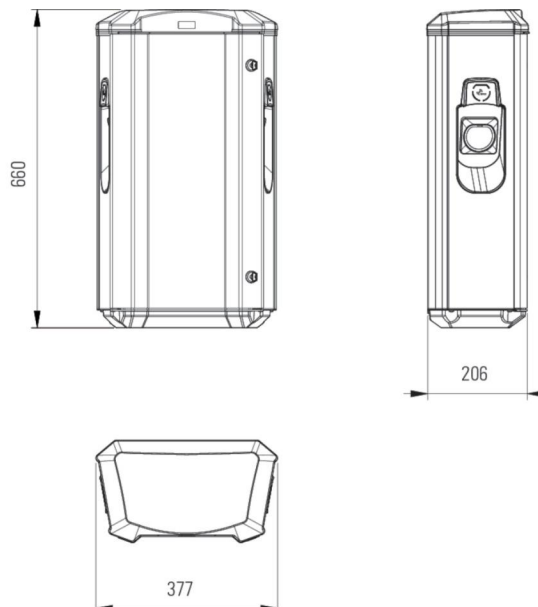


article#	<b>353678</b>
article description	<b>TWINBOX GTB 2x22kW, charging socket Type2, RCD A + energy meter</b>
description long	TWINBOX GTB - Charging Station for Electric Vehicles Connection: (230)400V AC, 50Hz, (1)3-phasig Number of charging units: 2 Socket outlet Type 2 with locking actuator Max. power per charging point: 22kW Nominal connection power: 44kW WxHxD: 377x660x213 mm Mounting method: Wall mounting Protection: RCCB Type A+ integr. DC-fault protection (6mA) MCB C 32A 4 pole Access control: no Communication interface: no integrated modbus energy meter, certified acc. to MID directive Material housing: aluminium/black Degree of protection: IP44 Impact strength: IK10 Ambient temperature: -25°C bis +40°C Standards: EN 61851-1, IEC 61439-7 Adjustable charging current: 6A, 10A, 13A, 16A, 20A, 25A, 32A
GTIN (EAN)	9003399494512
country of origin	SE
customs number	85371098
net weight	15.000 kg
packaging quantity	1
minimum order quantity	1

ETIM 9.0	EC002883
Installation side connection model	3-phase
Number of charging units	2
Max. power per charging point	22 kW
Nominal connection power	44 kW
Width	377 mm
Height	660 mm
Depth	213 mm
Mounting method	Wall mounting
Number of socket outlets Type 2	2
Number of earth leakage circuit breakers type A	1
With circuit breaker	True
Material housing	Aluminium
Degree of protection (IP)	IP44
Impact strength	IK10



<https://www.pcelectric.at/shop/en/?func=detail&artnr=353678>