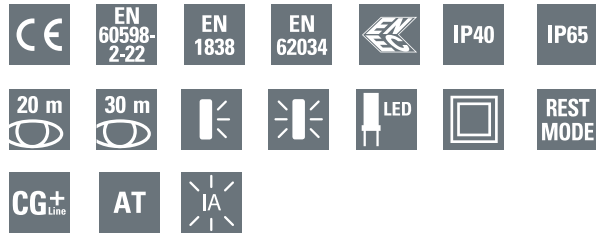


7.3.1

Safety & exit signs - Indoor NexiTech LED

Emergency lighting



- From 150 to 300lm output flux
- Comparable to 8, 11 and 18W fluorescent lamp
- Ni-Cd HT high quality batteries

7

Light Source:

LED strip

Material:

Base and reflector white polycarbonate

Diffuser clear polycarbonate

Protection degree IP40 and IP65 with the accessory kit

Installation options:

Wall and ceiling mounting

Surface or recessed installation in false ceiling and bricks wall

Single side glue-less ISO7010 pictograms with

20m viewing distance

Double side ISO7010 panels with 30m of viewing distance

Operation:

Maintained and Non-Maintained mode on all version

Fixed 60lm output in Maintained mode for all variants for high energy saving

3h duration

24h recharge period

Applications:

Schools, universities, commercial malls, stores, offices, public administration and all indoor generic environments

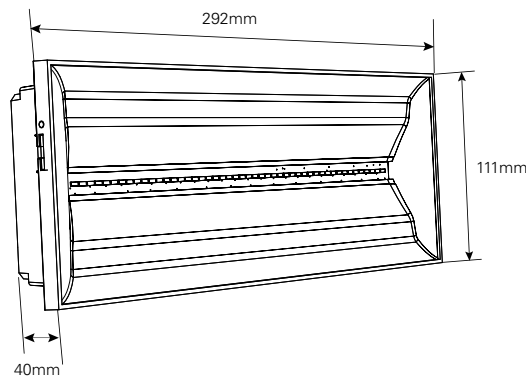
Safety antipanic lighting and escape route lighting

Hi-bay environments

Reliability and continuity of service was the main consideration in the development of the new NexiTech LED Emergency lighting range.

The modern style, the simplicity of the shapes and the high quality surfaces make NexiTech LED ideal for any architectural context, while the precision of the mechanics and the sophisticated electronics guarantee a full unmatched reliability.

The latest generation of LED light source and the careful study of the refractive parts allow a uniform light distribution without light waste.



Autotest is now for all

The reliability and the guarantee of operation are now within everyone's reach. We chose to design NexiTech LED starting directly from models with built-in diagnostic functions, all the self-contained versions (with battery on board) are equipped with a self-test system that performs automatic tests in accordance with standard EN62034 and EN50172.

Top level signalization

The pictograms, optional and available upon request, conform to the international standard ISO7010, have no glue and can be repositioned at will and with ease, without a complex installation. They are placed between the diffuser and reflector creating a translucency which finds its maximum aesthetic applications when recessed into the wall.



NexiTech LED with IP65 protection kit

The IP65 kit is compatible with all the variants.
Only surface mounting. Dimension 308x125x53 mm

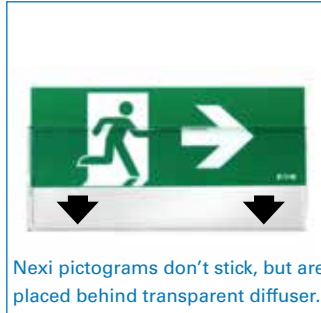


With double-side pictograms



Viewing distance: 30m

With single-side pictograms



Nexi pictograms don't stick, but are placed behind transparent diffuser.

Viewing distance: 20m

Recessed base for bricks wall



Order code: NEXI-RB
Cut-out: 277x100 mm

Nexi LED frame



Order code	Description					
NEXI150-3H-AT	NexiTech LED 150 3h Auto Test	1.3W - 3.1W	150 Lm	3h	3.6V - 2.0Ah NiCd	Maintained / Non-Maintained
NEXI250-3H-AT	NexiTech LED 250 3h Auto Test	2.25W - 3.6W	250 Lm	3h	7.2V - 1.7Ah NiCd	Maintained / Non-Maintained
NEXI150-3H-CGL-IP	NexiTech LED 150 3h IP65 CGLLine+	1.3W - 3.1W	150 Lm	3h	7.2V - 1.7Ah NiCd	Maintained / Non-Maintained
NEXI300-3H-CGL	NexiTech LED 300 3h CGLLine+	2 W - 3.2 W	300 Lm	3h	7.2V - 1.7Ah NiCd	Maintained / Non-Maintained
NEXI300-3H-CGL-IP	NexiTech LED 300 3h IP65 CGLLine+	2W - 3.2W	300 Lm	3h	7.2V - 1.7Ah NiCd	Maintained / Non-Maintained
NEXI3HIA-CGL	NexiTech LED 3h IA CGLLine+ IP40	2.5W - 4W	50-500Cd	3h	7.2V - 1.7Ah NiCd	Maintained
NEXI3HIA-CGLIP	NexiTech LED 3h IA CGLLine+ IP65	2,5W - 4W	50-500Cd	3h	7,2V - 1,7Ah NiCd	Maintained

Pictograms not included

*Non maintained - Maintained

Accessories

NEXI-IP	IP65 protection kit
NEXI-RB	Bricks wall recessed base (cut-out 277x100mm)
NEXI-FC	False ceiling adapter (cut-out 272x95mm)
NEXI-FR	Finishing frame NexiTech LED

Single-side pictograms

NEXI-PICTO-D	Pictogram Down ISO single-side 20m	
NEXI-PICTO-L	Pictogram Left ISO single-side 20m	
NEXI-PICTO-R	Pictogram Right ISO single-side 20m	
NEXI-PICTO-U	Pictogram Up ISO single-side 20m	

Delivered with 7 adhesive exit legends for single or double side

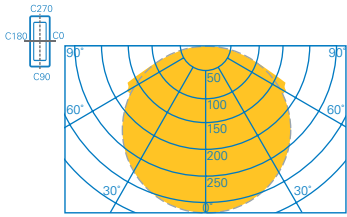
Double-side panels

Ultra version - high uniformity - compatible IP40 housing

NEXI-PLEX-DD	Double side panel Down/Down ISO 30m		
NEXI-PLEX-LR	Double side panel Left/Right ISO 30m		
NEXI-PLEX-DB	Double side panel Down/Blind ISO 30m		
NEXI-PLEX-UU	Double side panel Up/Up ISO 30m		
NEXI-PLEX-UB	Double side panel Up/Blind ISO 30m		

Lite version - standard uniformity - compatible IP65 housing & NEXI-IP kit

NEXI-PLEX-IP	Double side panel NexiTech/NexiLite IP65 - ISO 30m
--------------	--



NexiTech, 150 lm

Escape route 2m wide 1 lux min

Mounting height [m]	Lux level directly under				
2.5	6.0	3.2	8.5	8.5	3.2
2.8	5.0	3.3	8.7	8.7	3.3
3.0	4.4	3.4	8.8	8.8	3.4
4.0	2.7	3.4	9.4	9.4	3.4
5.0	1.7	2.8	9.1	9.1	2.8
6.0	1.1	1.8	8.7	8.7	1.8
7.0	N/A	N/A	N/A	N/A	N/A

Open (anti-panic) area 0.5 lux min

Mounting height [m]	Lux level directly under				
2.5	6.0	3.6	8.0	8.0	3.6
2.8	5.0	3.7	8.5	8.5	3.7
3.0	4.4	3.8	9.8	9.8	3.8
4.0	2.7	4.4	9.2	9.2	4.4
5.0	1.7	4.0	11.0	11.0	4.0
6.0	1.1	3.8	11.6	11.6	3.8
7.0	0.8	3.5	12.1	12.1	3.5

Mounting height for 5 lux below 2 meters

NexiTech, 250 lm

Escape route 2m wide 1 lux min

Mounting height [m]	Lux level directly under				
2.5	10.1	3.9	10.0	10.0	3.9
2.8	8.4	4.0	10.6	10.6	4.0
3.0	7.4	4.1	10.8	10.8	4.1
4.0	4.5	4.3	10.8	10.8	4.3
5.0	2.8	4.0	11.3	11.3	4.0
6.0	1.9	3.7	11.4	11.4	3.7
7.0	1.4	2.9	11.2	11.2	2.9

Open (anti-panic) area 0.5 lux min

Mounting height [m]	Lux level directly under				
2.5	10.1	4.0	9.4	9.4	4.0
2.8	8.4	4.2	9.9	9.9	4.2
3.0	7.4	4.3	10.3	10.3	4.3
4.0	4.5	4.7	11.8	11.8	4.7
5.0	2.8	4.8	12.7	12.7	4.8
6.0	1.9	4.9	13.6	13.6	4.9
7.0	1.4	4.9	14.4	14.4	4.9

Mounting height for 5 lux below 3.9 meters

Open (anti-panic) area 10.8 lux min NEXI 300 CGL

Mounting height [m]				
2.5	2.0	6.0	2.0	6.0
3.0	2.0	5.0	2.0	5.0
4.5	2.0	4.0	2.0	4.0