



# MASTERColour CDM-TD

## MASTERColour CDM-TD 150W/942 RX7s 1CT

Range of double-ended, compact, high-efficiency, discharge lamps with a stable colour over lifetime and a crisp, sparkling light

### Warnings and Safety

- Use only in totally enclosed luminaire, even during testing (IEC61167, IEC 62035, IEC60598)
- The luminaire must be able to contain hot lamp parts if the lamp ruptures
- Lamps may use electronic or electromagnetic control gear
- Control gear must include end-of-life protection (IEC61167, IEC 62035)
- A lamp breaking is extremely unlikely to have any impact on your health. If a lamp breaks, ventilate the room for 30 minutes and remove the parts, preferably with gloves. Put them in a sealed plastic bag and take it to your local waste facilities for recycling. Do not use a vacuum cleaner.

### Product data

General information		Colour rendering index (CRI)	
Cap base	RX7S [RX7s]		96
Operating position	P45 [Parallel +/-45D or Horizontal(HOR)]	Operating and electrical	
	Sphere	Power Consumption	152.0 W
Brand	Philips	Voltage (nom.)	103 V
		Voltage (nom.)	103 V
Light technical		Mechanical and housing	
Colour Code	942 [CCT of 4200K]	Lamp Finish	Clear
Luminous Flux	13,650 lm	Bulb shape	T22 [T 22 mm]
Colour designation	Cool White (CW)	Approval and application	
Chromaticity coordinate X (nom.)	0.371	Mercury (Hg) content (max.)	8.3 mg
Chromaticity coordinate Y (nom.)	0.366	Mercury (Hg) content (nom.)	8.29 mg
Correlated Colour Temperature	4200 K		
Luminous Efficacy (rated) (Nom)	90 lm/W		

# MASTERC colour CDM-TD

Energy consumption kWh/1,000 hours	152 kWh
	473,340
<b>Product data</b>	
Full EOC	871150020025915
Order product name	MASTERC CDM-TD 150W/942 RX7s 1CT
Order code	20025915
Local order code	150CDMTD942

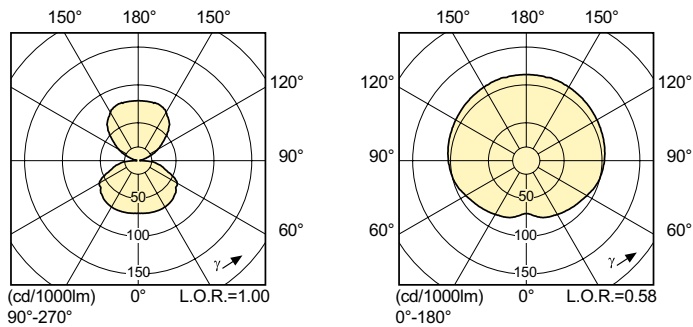
SAP numerator – quantity per pack	1
Numerator – packs per outer box	12
Material number (12NC)	928084805133
Net weight	26.700 g
Full product name	MASTERC colour CDM-TD 150W/942 RX7s 1CT
EAN/UPC - Case	8711500200266

## Dimensional drawing



Product	D (max)	D O	C (max)
MASTERC CDM-TD 150W/942 RX7s 1CT	22 mm	10 mm	137.43 mm

## Photometric data

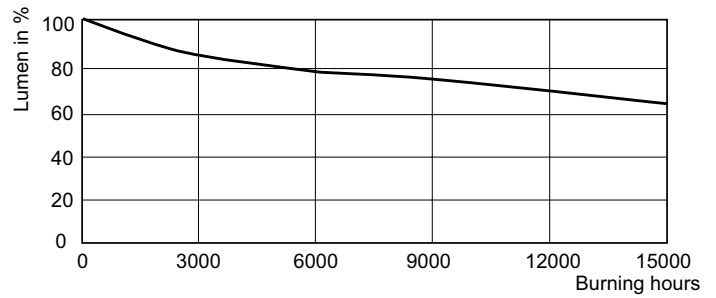
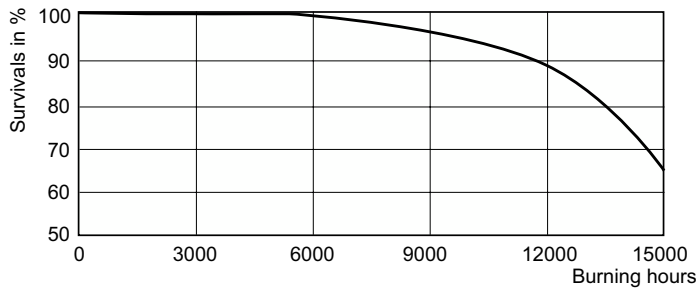


Light Distribution Diagram - MASTERC CDM-TD 150W/942 RX7s 1CT

Spectral Power Distribution Colour - MASTERC CDM-TD 150W/942 RX7s 1CT

# MASTERC colour CDM-TD

## Lifetime



Life Expectancy Diagram - MASTERC CDM-TD 150W/942 RX7s 1CT

Lumen Maintenance Diagram - MASTERC CDM-TD 150W/942 RX7s 1CT

