



# MASTER CityWhite CDO-TT



## MASTER CityWhite CDO-TT Plus 100W/828 E40

Ceramic metal halide lamp with clear tubular outer bulb shape, used in outdoor offering pleasant white light

### Warnings and Safety

- Use only in totally enclosed luminaire, even during testing (IEC61167, IEC 62035, IEC60598)
- The luminaire must be able to contain hot lamp parts if the lamp ruptures
- Lamps may use electronic or electromagnetic control gear
- Control gear must include end-of-life protection (IEC61167, IEC 62035)

### Product data

General information	
Cap base	E40 [ E40]
Operating position	UNIVERSAL [ Any/Universal]
Life to 5% failures (nom.)	18000 h
Life to 10% failures (nom.)	20000 h
Life to 20% failures (nom.)	22500 h
Life to 50% failures (nom.)	27000 h
LSF 2000 h Rated	99 %
LSF 4000 h Rated	99 %
LSF 6000 h Rated	99 %
LSF 8000 h Rated	99 %
LSF 12000 h Rated	99 %
LSF 16000 h Rated	97 %
LSF 20000 h Rated	90 %
	Sphere

Light technical	
Colour Code	828 [ CCT of 2,800 K]
Luminous flux (nom.)	10450 lm
Luminous flux (rated) (nom.)	10450 lm
Colour designation	Warm white (WW)
Chromaticity coordinate X (nom.)	0.447
Chromaticity coordinate Y (nom.)	0.4
Correlated Colour Temperature (Nom)	2800 K
Luminous efficacy (rated) (nom.)	106 lm/W
Colour rendering index (nom.)	88
LLMF 2000 h Rated	95 %
LLMF 4000 h Rated	92 %
LLMF 6000 h Rated	90 %
LLMF 8000 h Rated	88 %
LLMF 12000 h Rated	85 %
LLMF 16000 h Rated	82 %
LLMF 20000 h Rated	80 %

# MASTER CityWhite CDO-TT

Ratio scotopic/photopic lumens	1.30
--------------------------------	------

## Operating and electrical

Power (Rated) (Nom)	99.0 W
Lamp current run-up (max.)	2.2 A
Lamp current (EM) (nom.)	0.118 A
Ignition peak voltage (max.)	5000 V
Ignition supply voltage (min.)	198 V
Re-ignition time (min.) (max.)	900 s
Ignition time (max.)	30 s
Voltage (Max)	105 V
Voltage (Min)	89 V
Voltage (Nom)	100 V

## Controls and dimming

Dimmable	Yes
Run-up time 90% (max.)	2 min

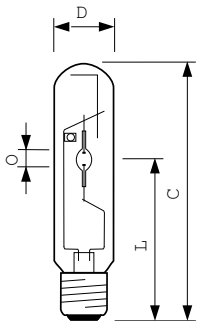
## Mechanical and housing

Lamp Finish	Clear
Bulb shape	T46 [ T 46mm]

## Approval and application

Energy Efficiency Class	F
Mercury (Hg) content (max.)	12 mg
Mercury (Hg) content (nom.)	11.6 mg
Energy consumption kWh/1,000 hours	99 kWh

## Dimensional drawing



MASTER CityWhite CDO-TT Plus 100W/828 E40

473325
--------

## UV

PET (NIOSH) (min.)	8 h/500lx
--------------------	-----------

## Luminaire design requirements

Bulb temperature (max.)	450 °C
Cap-base temperature (max.)	250 °C
Cap-Base Temperature (Max)-DUP(do not use)	482 °F

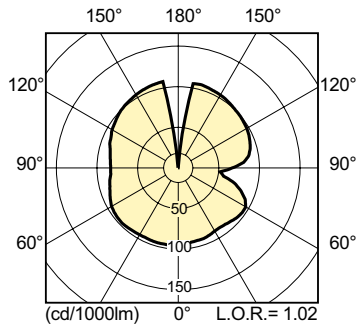
## Product data

Full product code	871829112032200
Order product name	MASTER CityWhite CDO-TT Plus 100W/828 E40
EAN/UPC – product	8718291120322
Order code	12032200
Local order code	100CDOOTPLUS828
SAP numerator – quantity per pack	1
Local code description	MASTER CityWh CDO-TT Plus 100W/828 E40
Numerator – packs per outer box	12
SAP material	928082119231
Net Weight (Piece)	0.137 kg
ILCOS code	MT-100/828-H-E40-48/211

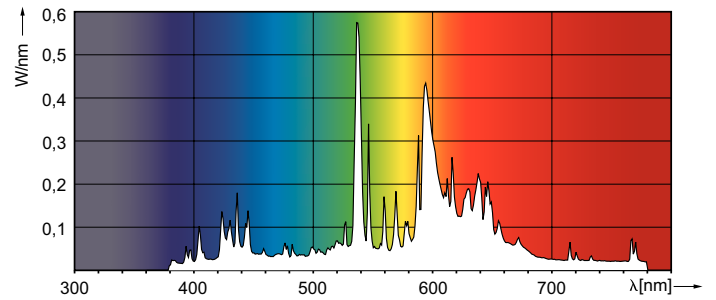
Product	D (max)	O	L	C (max)
MASTER CityWhite CDO-TT Plus 100W/828 E40	47 mm	8.5 mm	132 mm	211 mm

# MASTER CityWhite CDO-TT

## Photometric data

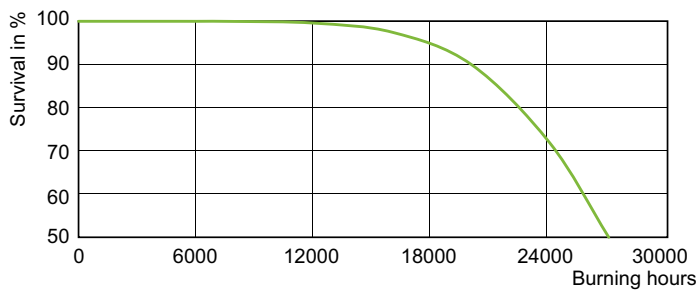


LDLD\_CDO-TT\_0002-Light distribution diagram

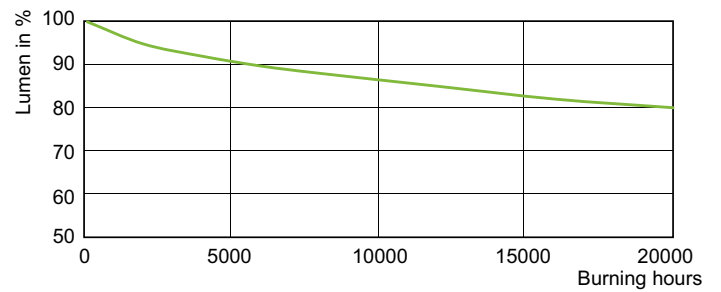


LDPO\_CDO-TT\_0002-Spectral power distribution Colour

## Lifetime



LDLE\_CDO-TT\_0002-Life expectancy diagram



LDLM\_CDO-TT\_0002-Lumen maintenance diagram

