



F&F Filipowski sp. j.
ul. Konstytucyjna 79/81
95-200 Pabianice, POLAND
tel/fax 48 42 2270974
e-mail: fif@fif.com.pl

PZ-832 RC

FLUID LEVEL CONTROL RELAYS

two-position

with emergency states



www.fif.com.pl

F&F products are covered by an 24 months warranty from date of purchase

PURPOSE

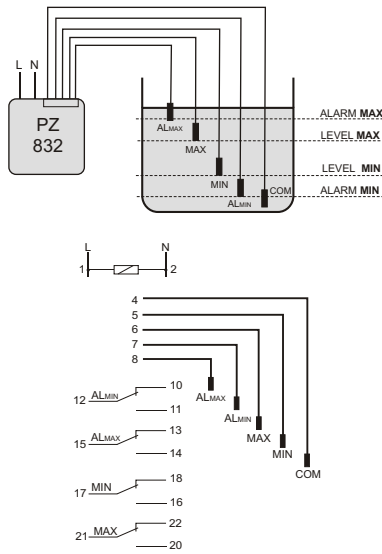
Fluid level control relays PZ-832 is devised to detect the presence of conductive liquids reaching the level of the sensor.

FUNCTIONING

Relay control MAX and MIN states set by user of controlled fluid. After the liquid level decreases to MIN (i.e. electrodes MIN and COM spaced), the MIN joint is switched to position 17-16 (FILLING), whereas the MAX joint remains in position 21-22. On the other hand, when the MAX liquid level is reached (MAX and COM electrodes shorted), the relay's MIN joint will be switched to position 17-18 (EMPTYING), whereas the MAX into position 21-20. Emergency state: **ALmin** (dry running) - after the liquid level decreases to **ALmin** (i.e. electrodes MIN and COM spaced), the ALmin joint is switched to position 12-11; **ALmax** (overflow) after level is reached **ALmax** (ALmax and COM electrodes shorted), the relay's **ALmax** joint will be switched to position 15-14.

flooding probe acid-resistant steel electrode in + plastic box for electrode + gland PG9
dimension of probe R15, l=9,5cm
probe voltage <math>< 6V</math>
probe current <math>< 0,13mA</math>
connection cable e.g. LY 1mm²

WIRING DIAGRAM



Each of the states, ie, a compact suitable probe with a level probe t of COM, is signaled by the shining LED on the front of the relay. Lit yellow LED indicates the operation status of FILLING.

ASSEMBLY

1. Take OFF the power.
2. Put on the relay on the rail in the switchgearbox.
3. Connect power to joints 1-2 with marks.
4. Probe connect to relay by cable <math>< 1mm</math>.
5. Assembly probe on the same level which controlled fluid. Base probe could be assembled underlevel of probe MAX, MIN, ALmin, ALmax
6. In power system of acivated device connect in line appropriat joints of relay
7. By knob set sensitiveness

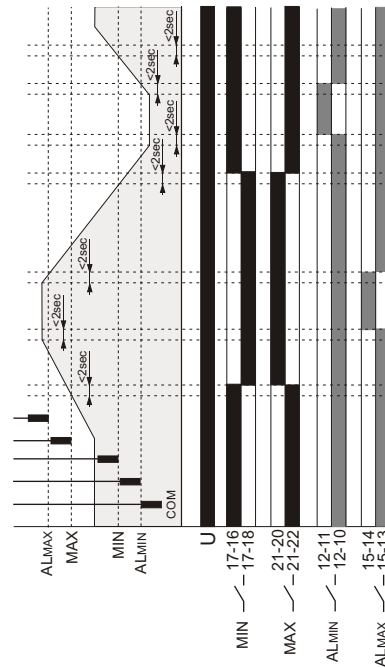
ATTENTION!

The electrode probe is connected by means of a cable with wire diameter up to 1mm and maximum length of 100 m.

TECHNICAL DATA

supply	230V AC
joint	separate 4x(1P)
current load MIN and MAX	2x(<math>< 16A</math>)
current load ALmin and ALmax	2x(<math>< 8A</math>)
sensitiviti - to set	1÷100K Ω
switching joints delay	1÷2sec
Voltaof measured outputs	<math>< 6V</math>
power supply	green LED
working mode	yellow LED
state MIN and MAX	2x green LED
state ALmin and ALmax	2x red LED
power consumption	1,1W
connection	screw terminals 2,5mm ²
dimensions	3 modules (52,5mm)
fixing	on rail TH-35

joints 4-5-6 -7-8 galvanic separated



A100811