

**PVN DC 2IN/1OUTX2 2MPPT SPD1R CG 1.1KV**
**Weidmüller Interfaces GmbH & Co. KG**

Postfach 3030

32760 Detmold

Tel. +49 5231 14-0

Fax. +49 5231 14-2083

info@weidmueller.com

www.weidmueller.com



PV Next: PV-Next, PV generator junction box for combination of 1-6 strings (input and output side) and connection to the inverter. Intelligent innovative design individual for every customer application. Advanced overvoltage protection, optional fuses and switch-disconnectors for optimum operation and safety for the system. In addition, all PV generator junction boxes comply with IEC/EN 61439-2 for maximum reliability of each component.

**General ordering data**

Version	Photovoltaics, Combiner Box, 1100 V, 2 MPP's, 2 Inputs / 1 Output per MPP, Surge protection I / II, Cable gland
Order No.	<a href="#">2866320000</a>
Type	PVN DC 2IN/1OUTX2 2MPPT SPD1R CG 1.1KV
GTIN (EAN)	4064675604006
Qty.	1 pc(s).
Replacement parts	<a href="#">2530600000</a> <a href="#">2534300000</a>

**PVN DC 2IN/1OUTX2 2MPPT SPD1R CG 1.1KV**
**Weidmüller Interfaces GmbH & Co. KG**

Postfach 3030

32760 Detmold

Tel. +49 5231 14-0

Fax. +49 5231 14-2083

info@weidmueller.com

www.weidmueller.com

**Technical data**
**Dimensions and weights**

Depth	132 mm	Depth (inches)	5.197 inch
Height	228 mm	Height (inches)	8.976 inch
Width	200 mm	Width (inches)	7.874 inch
Net weight	2,000 g		

**Temperatures**

Ambient temperature	-40 °C...+50 °C	Humidity	5...95 %, no condensation
---------------------	-----------------	----------	---------------------------

**Guarantee**

Time interval	5 years
---------------	---------

**Electrical characteristics**

Current per Maximum Power Point, max. 30 A

Rated DC current per connection	Current per string, max.	30 A
Rated short-term current resistance	Rated current	37.5 A
Rated DC voltage	1,100 V DC	

**Enclosure**

Connection type String	Internal terminal (with cable gland feed-through)	Enclosure attachment	Via mounting feet
Impact resistance	IK08 in accordance with IEC 62208, IK10 in accordance with IEC 62262	Insulating material	Polyester glass-fibre reinforced, Polycarbonate
Switch disconnecter execution	no switch	Type of mounting	4 screws, Wall mounting

**General data**

Installation location	Protected outdoor area (>1 km from sea)	Protection degree	IP65
Standards	EN 61439-2, IEC 61439-2		

**Inputs**

Amount of Maximum Power Points	2 MPP		
DC Input + & -	Wire connection	Type of connection	PUSH IN
		Compatible cable cross-section	EN 50618:2015, TÜV 2 Pfg1169/08.07
		Wire cross-section, min.	2.5 mm <sup>2</sup>
		Wire cross-section, max.	16 mm <sup>2</sup>
Functional earth connector	Cable entry	Number of cable entries	4
	Wire connection	Number of cable entries	1
Fuse type	Neither fuse cartridge nor holder	Type of connection	Screw connection
		Flexible, max. H05(07) V-K	25 mm <sup>2</sup>
		w. wire end ferrule, DIN 46228 pt 1, max.	16 mm <sup>2</sup>

Creation date March 31, 2023 11:02:44 AM CEST

Catalogue status 17.03.2023 / We reserve the right to make technical changes.

**PVN DC 2IN/1OUTX2 2MPPT SPD1R CG 1.1KV**

Weidmüller Interfaces GmbH & Co. KG

Postfach 3030

32760 Detmold

Tel. +49 5231 14-0

Fax. +49 5231 14-2083

**Technical data**

Max. number of DC inputs	per Maximum Power Point 2 inputs connected in parallel		
Surge protection auxiliary contact	Wire connection	Type of connection	Tension clamp connection with connector
		www.weidmueller.com	
		Flexible, max. H05(07) V-K	1.5 mm <sup>2</sup>
		w. wire end ferrule, DIN 46228 pt 1, max.	1.5 mm <sup>2</sup>
	Cable entry	Number of cable entries	1

**Outputs**

DC Output + & -	Wire connection	Type of connection	PUSH IN
		Compatible cable crosssection	TÜV 2 Pfg 1169/08.07, EN 50618:2015
		Wire cross-section, min.	2.5 mm <sup>2</sup>
		Wire cross-section, max.	16 mm <sup>2</sup>

Max. number of DC outputs per Maximum Power Point 1 output

**Surge protection DC side**

Discharge current $I_n$ (8/20 $\mu$ s)	20 kA	Discharge current, max. (8/20 $\mu$ s)	40 kA
Lightning test current $I_{imp}$ (10/350 $\mu$ s)	6.25 kA	Maximum continuous operating voltage UCPV mode +/-, -/PE, +/-PE	1,100 V DC
PV system voltage, max. $U_{cpv}$	1,100 V	Protection level $U_p$ (+/-, -/PE, +/-PE)	$\leq 3.8$ kV
Protection level $U_p$ (+/-)	$\leq 3.8$ kV	Protection level $U_p$ (+/PE)	$\leq 3.8$ kV
Protection level $U_p$ (-/PE)	$\leq 3.8$ kV	Requirements class	Type I/II
Short-circuit current $I_{SCPV}$	11,000 A	Standards	EN 61439-2, IEC 61439-2
Standby power consumption $P_C$	< 0.2 W	Total discharge current $I_{total}$ (8/20 $\mu$ s)	50 kA
Total discharge current $I_{total}$ (10/350 $\mu$ s)	12.5 kA		

**Classifications**

ETIM 6.0	EC002928	ETIM 7.0	EC002928
ETIM 8.0	EC003857	ECLASS 9.0	22-57-92-03
ECLASS 9.1	22-57-02-90	ECLASS 10.0	22-57-02-90
ECLASS 11.0	22-57-02-92	ECLASS 12.0	22-57-02-92

**Approvals**

Approvals



**PVN DC 2IN/1OUTX2 2MPPT SPD1R CG 1.1KV**
**Weidmüller Interfaces GmbH & Co. KG**

Postfach 3030

32760 Detmold

Tel. +49 5231 14-0

Fax. +49 5231 14-2083

[info@weidmueller.com](mailto:info@weidmueller.com)
[www.weidmueller.com](http://www.weidmueller.com)
**Technical data**
**Downloads**

Approval/Certificate/Document of Conformity	<a href="#">Declaration of Conformity for PV Next Mini 2</a>	<a href="http://www.weidmueller.com">www.weidmueller.com</a>
Technical Documentation	<a href="#">Customer drawing</a> <a href="#">Schematic Diagram for PV Next 2x 2In 1Out Boxes</a> <a href="#">PV Next Mini customer drawing overview</a>	
User Documentation	<a href="#">Manual PV Next String Combiner Box</a> <a href="#">Instruction leaflet PV NEXT MINI</a>	
White paper	<a href="#">Application notes – Fact Sheet DE PV CB Wie man Gebäude gegen Blitzeinschläge schützt</a> <a href="#">Application notes – Fact Sheet DE PV Wie man die Lebensdauer eines GAK verlängert</a> <a href="#">Application notes – Fact Sheet DE PV CB Wann Sicherungen zu installieren sind</a> <a href="#">Application notes – Fact Sheet DE CB PV NEXT</a> <a href="#">Application notes – Fact Sheet EN PV CB When DC fuses are mandatory to install</a> <a href="#">Application notes – Fact Sheet EN CB PV NEXT</a> <a href="#">Application notes – Fact Sheet EN PV How to protect buildings against lightning strikes</a> <a href="#">Application notes – Fact Sheet EN PV How to extend the life time of a Combiner Box</a> <a href="#">Application notes – 06_PV-Fact-Sheet-CB-PV-Strings-kombinieren-DE.pdf</a> <a href="#">Application notes – 05_PV-Fact-Sheet-CB-Richtig-verbinden_DE.pdf</a> <a href="#">Application notes – 06_PV-Fact-Sheet-CB-Combining-PV-strings_EN.pdf</a> <a href="#">Application notes – 05_PV-Fact-Sheet-CB-Connection_EN.pdf</a>	
Catalogues	<a href="#">Catalogues in PDF-format</a>	

**PVN DC 2IN/1OUTX2 2MPPT SPD1R CG 1.1KV**

**Weidmüller Interfaces GmbH & Co. KG**

Postfach 3030

32760 Detmold

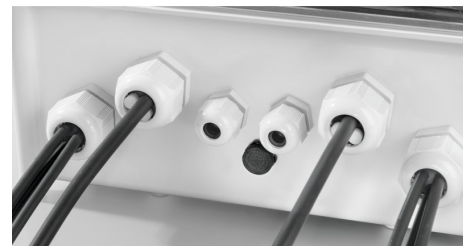
Tel. +49 5231 14-0

Fax. +49 5231 14-2083

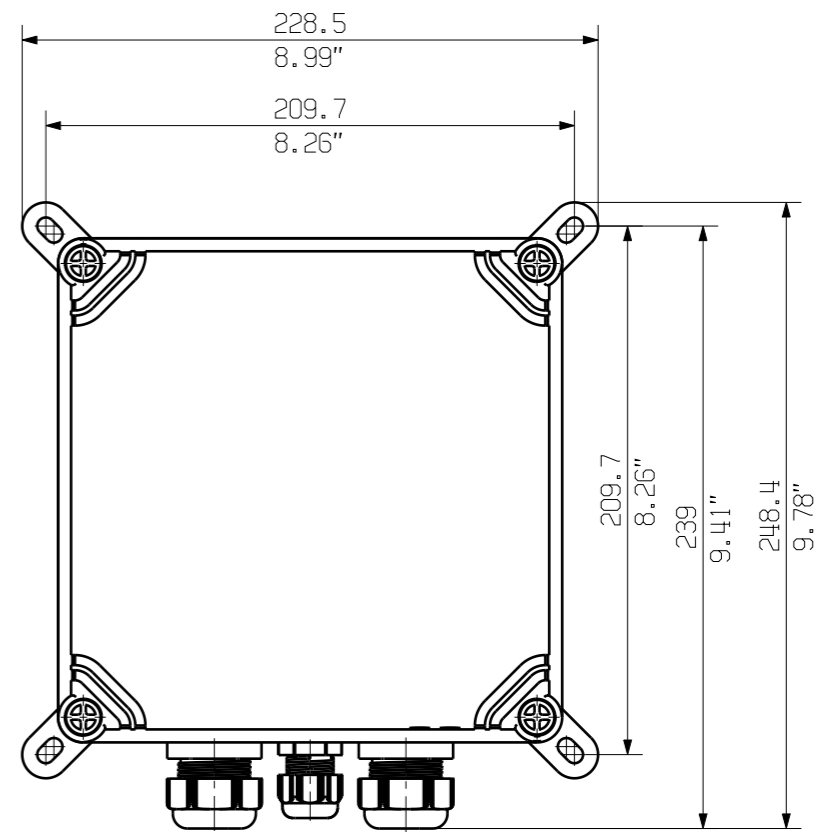
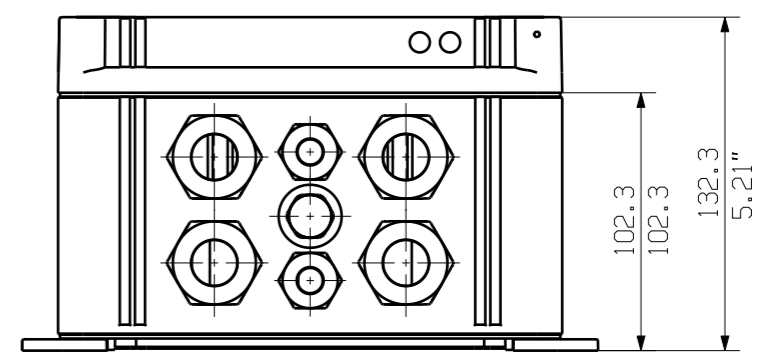
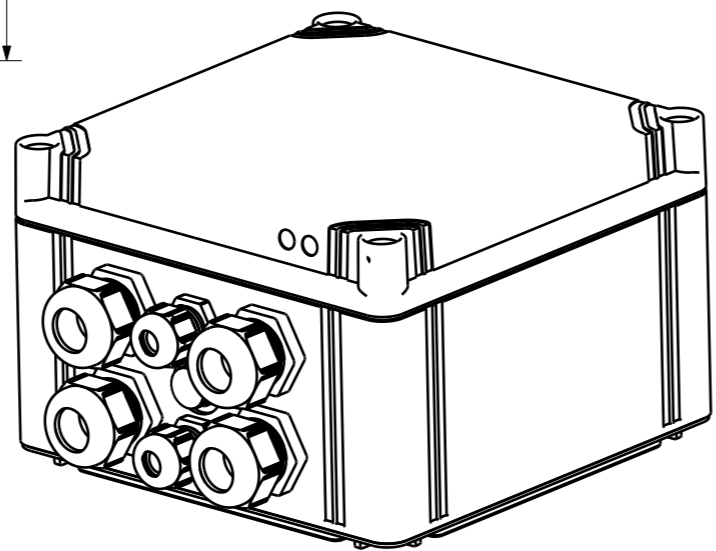
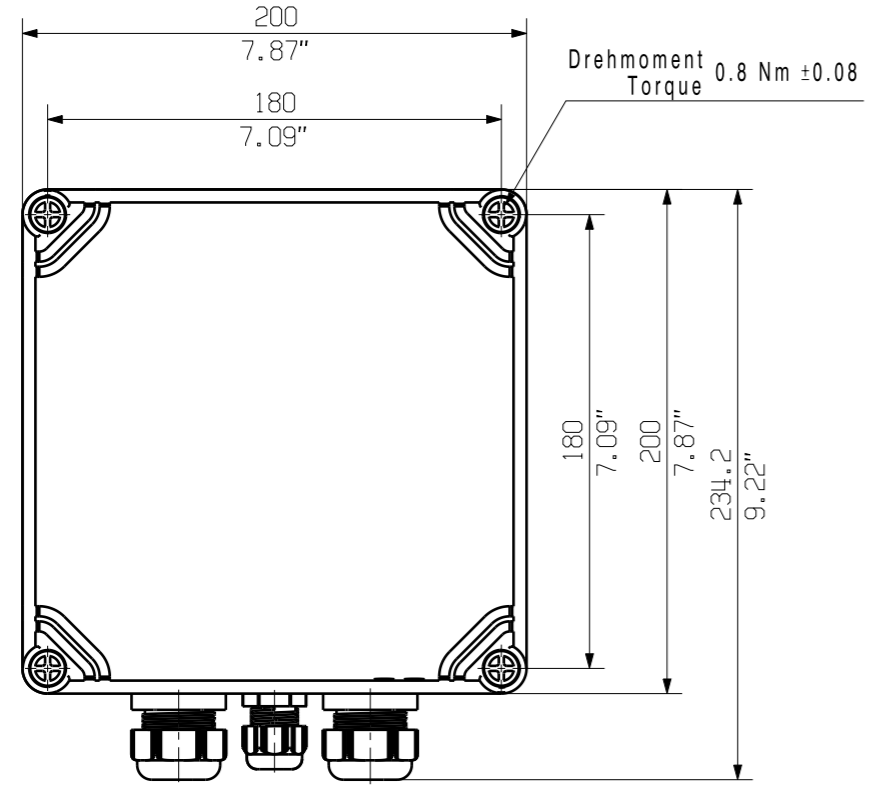
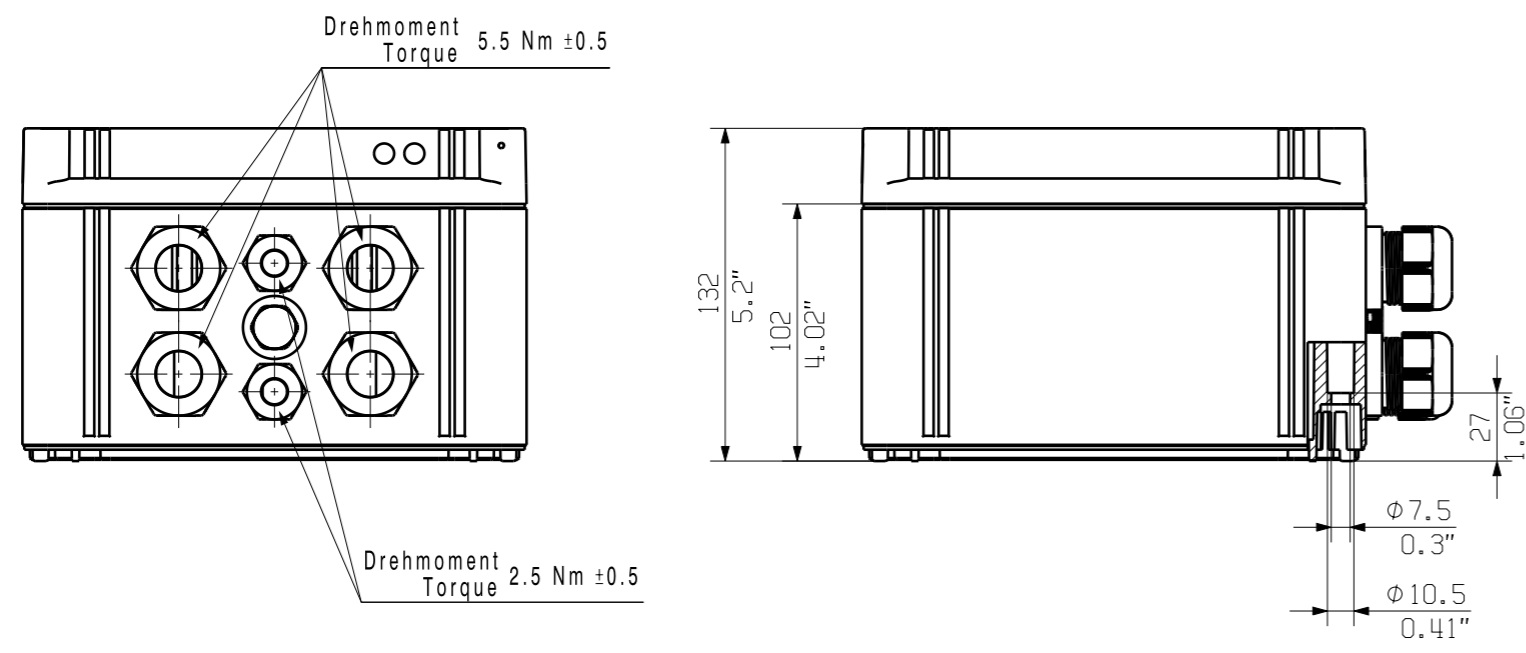
[info@weidmueller.com](mailto:info@weidmueller.com)

**Drawings**

**PCB design**



The English version is binding



Darstellung mit Zubehoer 9536040000 MF FPC  
 Shown with accessory  
 Nicht im Lieferumfang enthalten!  
 Not included in delivery!

General Tolerances: □ WN700144-W.. □ WN 212010 □ ISO 2768-mK		Tolerances ISO 8015	
Changes: EC00007387 0		<b>Weidmüller</b> <b>76335</b> Drawing no. Index Scale: 1/3 Sheet 2 / 2	
Mat. No. (SAP) 2866320000			
Drawings Assembly			
Drawn	Dreier, Bianca	<b>2866320000 PVN DC 2IN/10UTx2 2MPPT SPD1R CG 1.1kV</b> COMBINERBOX RESIDENTIAL/COMMERCIAL COMBINERBOX RESIDENTIAL/COMMERCIAL	
Responsible	Wohlgemuth, Klaus		
Approved	Püschner, Klaus 06.05.2022		

The reproduction, distribution and utilization of this document as well as the communication of its contents to others without explicit authorization is prohibited. Offenders will be held liable for the payment of damages. Weidmüller exclusively reserves the right to file for patents, utility models or designs. © Weidmüller Interface GmbH & Co. KG