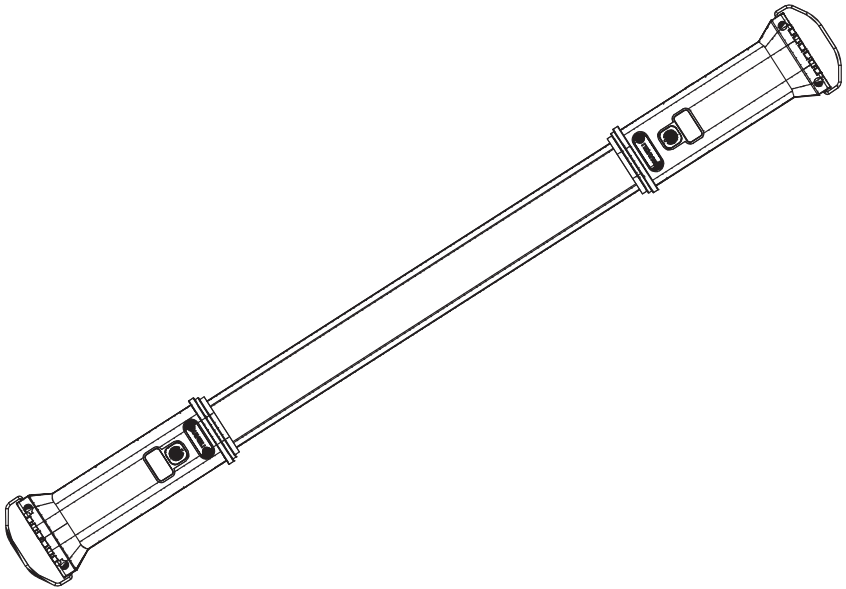
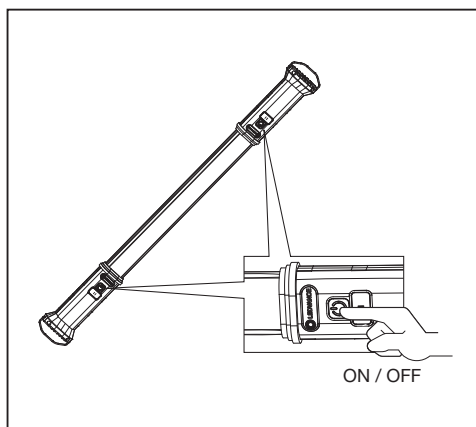
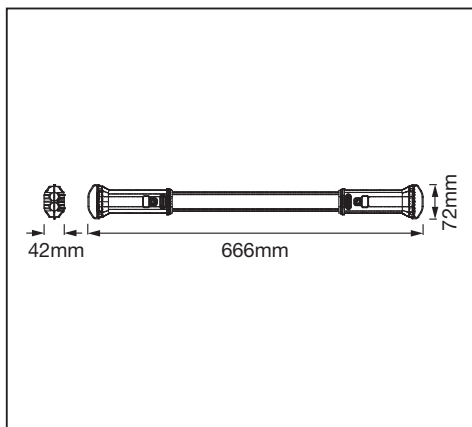
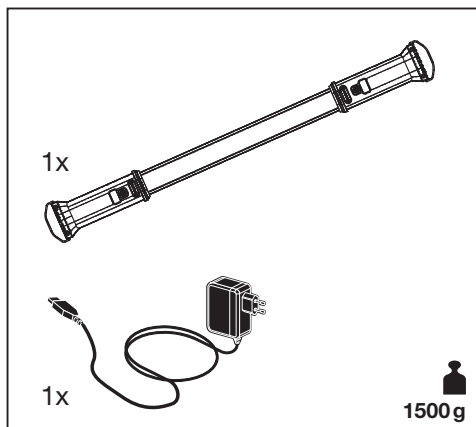
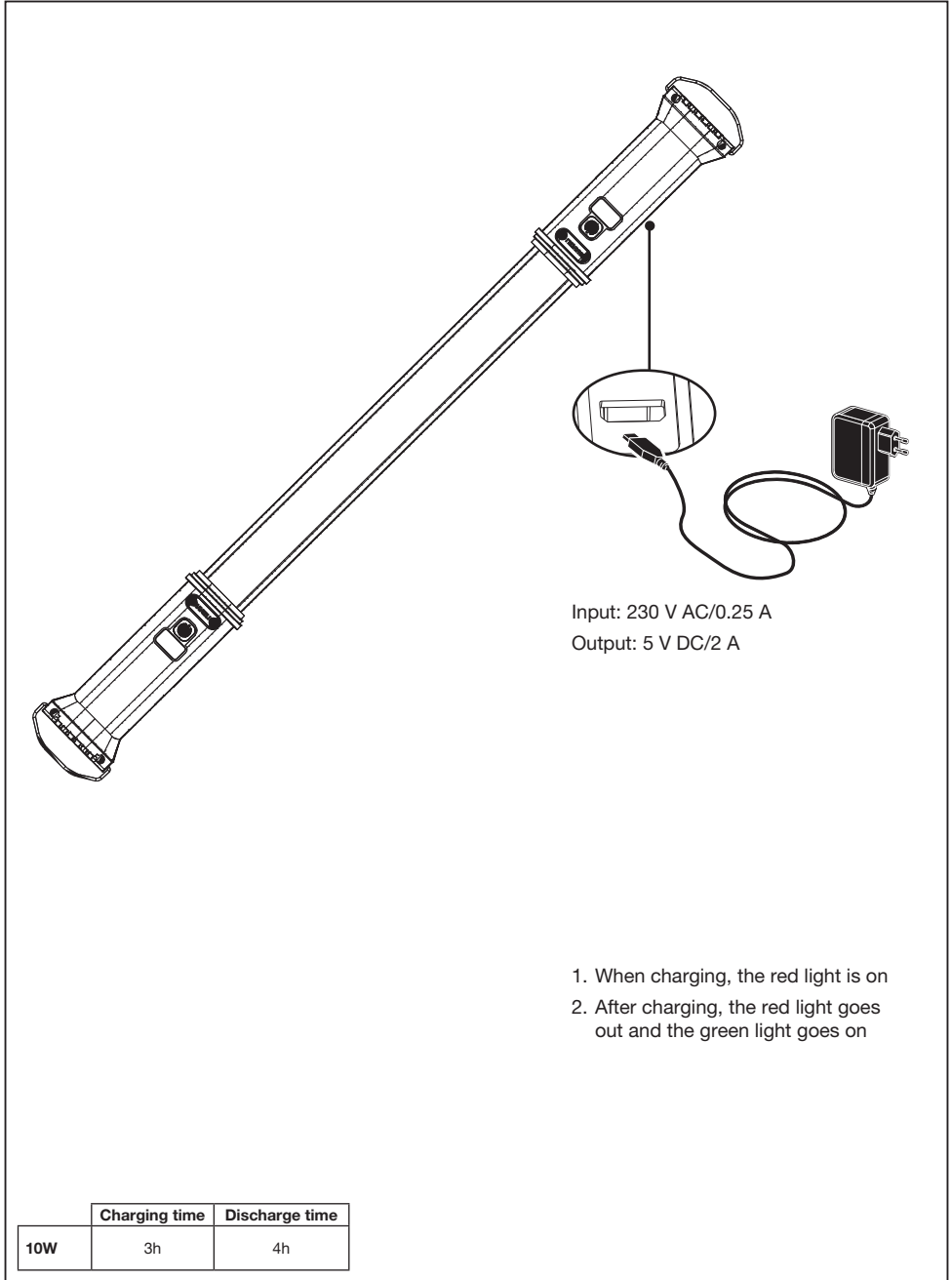

**WORKLIGHT BATTERY
TUBE**



	EAN	W	lm	K	IP	Temp (°C)	V _{ac} (adaptor)	mA (adaptor)	Hz (adaptor)	PF (adaptor)	H
LED WORKLIGHT BATT TUBE 67CM 20W840	4058075576551	10	800	4000	20	-20...+40	220-240	129	50/60	>0.4	<3m

WORKLIGHT BATTERY TUBE




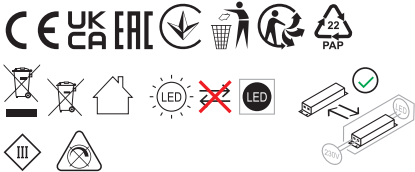


Input: 230 V AC/0.25 A
Output: 5 V DC/2 A

1. When charging, the red light is on
2. After charging, the red light goes out and the green light goes on

	Charging time	Discharge time
10W	3h	4h

	EAN	This product contains a light source of energy efficiency class	Contained Light Source
LED WORKLIGHT BATT TUBE 67CM 20W840	4058075576551	F	



C10449057
G11120860
18.08.2021



LEDVANCE GmbH
Steinerne Furt 62
86167 Augsburg, Germany
www.ledvance.com