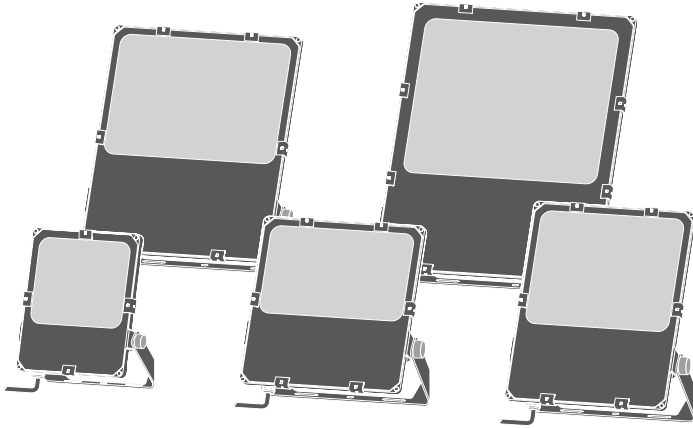


FLOODLIGHT PERFORMANCE



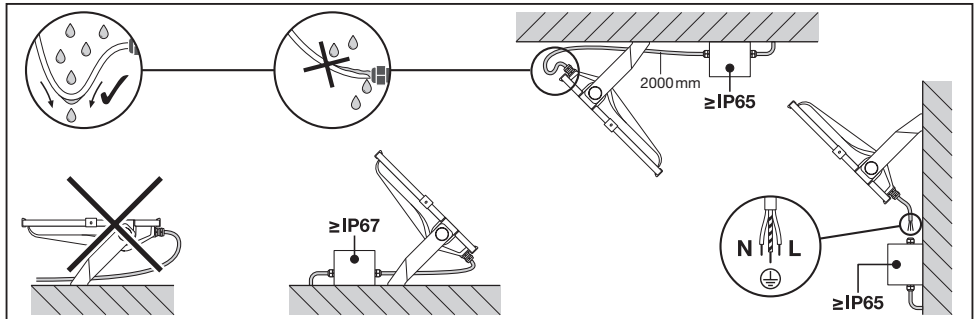
| | EAN | l x w x h [mm] | W | V _{AC} | Hz | lm | lm/W | K |
|----------------------------------|---------------|----------------|-----|-----------------|---------|-------|------|------|
| FL PFM 50W/3000K ASYM 55x110 BK | 4058075353299 | 314x240x63 | 50 | 220-240V | 50/60Hz | 5800 | 115 | 3000 |
| FL PFM 50W/4000K ASYM 55x110 BK | 4058075353305 | 314x240x63 | 50 | 220-240V | 50/60Hz | 6300 | 125 | 4000 |
| FL PFM 100W/3000K ASYM 55x110 BK | 4058075353312 | 418x330x77 | 100 | 220-240V | 50/60Hz | 11900 | 120 | 3000 |
| FL PFM 100W/4000K ASYM 55x110 BK | 4058075353527 | 418x330x77 | 100 | 220-240V | 50/60Hz | 12900 | 130 | 4000 |
| FL PFM 150W/3000K ASYM 55x110 BK | 4058075353534 | 451x330x77 | 150 | 220-240V | 50/60Hz | 18400 | 125 | 3000 |
| FL PFM 150W/4000K ASYM 55x110 BK | 4058075353541 | 451x330x77 | 150 | 220-240V | 50/60Hz | 19900 | 135 | 4000 |
| FL PFM 200W/3000K ASYM 55x110 BK | 4058075353558 | 494x395x87 | 200 | 220-240V | 50/60Hz | 24400 | 130 | 3000 |
| FL PFM 200W/4000K ASYM 55x110 BK | 4058075353565 | 494x395x87 | 200 | 220-240V | 50/60Hz | 26400 | 140 | 4000 |
| FL PFM 290W/3000K ASYM 55x110 BK | 4058075353572 | 567x465x97 | 290 | 220-240V | 50/60Hz | 35600 | 125 | 3000 |
| FL PFM 290W/4000K ASYM 55x110 BK | 4058075353602 | 567x465x97 | 290 | 220-240V | 50/60Hz | 38500 | 135 | 4000 |
| FL PFM 50W/3000K ASYM 45x140 BK | 4058075353619 | 314x240x63 | 50 | 220-240V | 50/60Hz | 5700 | 115 | 3000 |
| FL PFM 50W/4000K ASYM 45x140 BK | 4058075353626 | 314x240x63 | 50 | 220-240V | 50/60Hz | 6200 | 125 | 4000 |
| FL PFM 100W/3000K ASYM 45x140 BK | 4058075353633 | 418x330x77 | 100 | 220-240V | 50/60Hz | 11800 | 120 | 3000 |
| FL PFM 100W/4000K ASYM 45x140 BK | 4058075353688 | 418x330x77 | 100 | 220-240V | 50/60Hz | 12800 | 130 | 4000 |
| FL PFM 150W/3000K ASYM 45x140 BK | 4058075353695 | 451x330x77 | 150 | 220-240V | 50/60Hz | 18300 | 120 | 3000 |
| FL PFM 150W/4000K ASYM 45x140 BK | 4058075353701 | 451x330x77 | 150 | 220-240V | 50/60Hz | 19800 | 130 | 4000 |
| FL PFM 200W/3000K ASYM 45x140 BK | 4058075353718 | 494x395x87 | 200 | 220-240V | 50/60Hz | 24200 | 130 | 3000 |
| FL PFM 200W/4000K ASYM 45x140 BK | 4058075353725 | 494x395x87 | 200 | 220-240V | 50/60Hz | 26200 | 140 | 4000 |
| FL PFM 290W/3000K ASYM 45x140 BK | 4058075353732 | 567x465x97 | 290 | 220-240V | 50/60Hz | 35300 | 120 | 3000 |
| FL PFM 290W/4000K ASYM 45x140 BK | 4058075353749 | 567x465x97 | 290 | 220-240V | 50/60Hz | 38200 | 130 | 4000 |
| FL PFM 150W/3000K SYM R30 BK | 4058075353756 | 451x330x77 | 150 | 220-240V | 50/60Hz | 18700 | 125 | 3000 |
| FL PFM 150W/4000K SYM R30 BK | 4058075353763 | 451x330x77 | 150 | 220-240V | 50/60Hz | 20200 | 135 | 4000 |
| FL PFM 200W/3000K SYM R30 BK | 4058075353770 | 494x395x87 | 200 | 220-240V | 50/60Hz | 24800 | 130 | 3000 |
| FL PFM 200W/4000K SYM R30 BK | 4058075353787 | 494x395x87 | 200 | 220-240V | 50/60Hz | 26800 | 140 | 4000 |
| FL PFM 290W/3000K SYM R30 BK | 4058075353794 | 567x465x97 | 290 | 220-240V | 50/60Hz | 36200 | 125 | 3000 |
| FL PFM 290W/4000K SYM R30 BK | 4058075353800 | 567x465x97 | 290 | 220-240V | 50/60Hz | 39100 | 135 | 4000 |
| FL PFM 150W/3000K SYM 60 BK | 4058075540989 | 451x330x77 | 150 | 220-240V | 50/60Hz | 19800 | 132 | 3000 |
| FL PFM 150W/4000K SYM 60 BK | 4058075540996 | 451x330x77 | 150 | 220-240V | 50/60Hz | 21000 | 140 | 4000 |
| FL PFM 200W/3000K SYM 60 BK | 4058075541009 | 494x395x87 | 200 | 220-240V | 50/60Hz | 26400 | 132 | 3000 |
| FL PFM 200W/4000K SYM 60 BK | 4058075541016 | 494x395x87 | 200 | 220-240V | 50/60Hz | 28000 | 140 | 4000 |
| FL PFM 290W/3000K SYM 60 BK | 4058075541023 | 567x465x97 | 290 | 220-240V | 50/60Hz | 38300 | 132 | 3000 |
| FL PFM 290W/4000K SYM 60 BK | 4058075541030 | 567x465x97 | 290 | 220-240V | 50/60Hz | 40600 | 140 | 4000 |

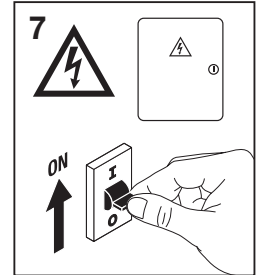
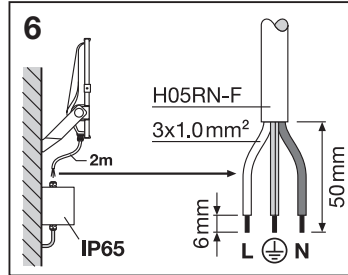
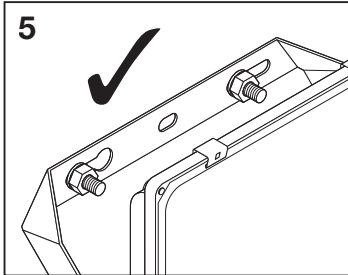
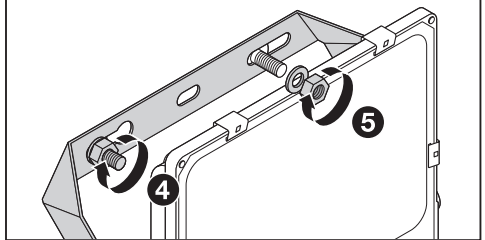
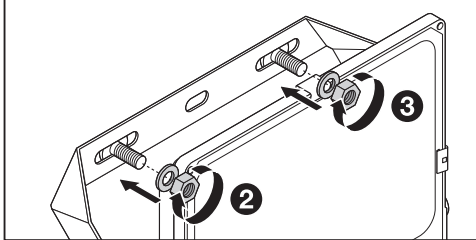
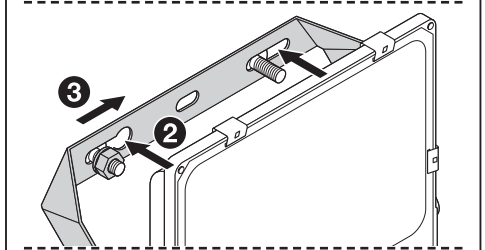
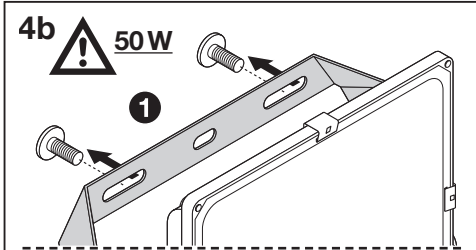
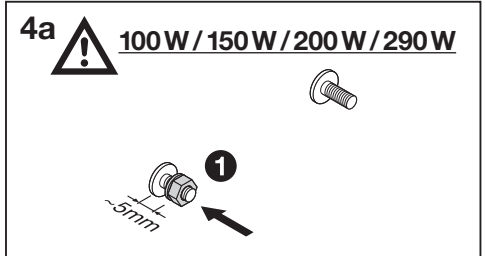
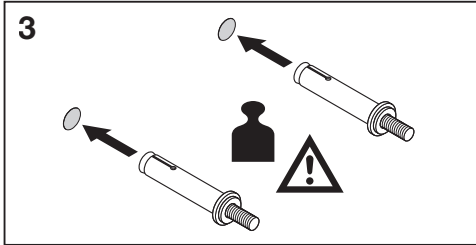
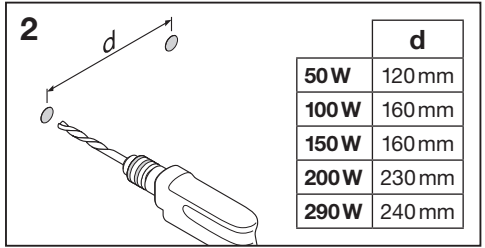
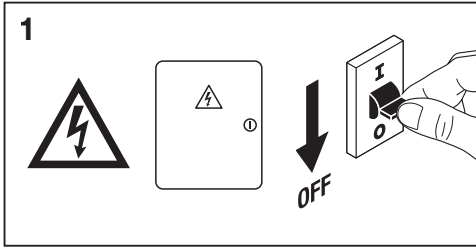
FLOODLIGHT PERFORMANCE

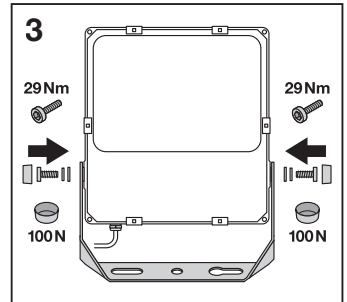
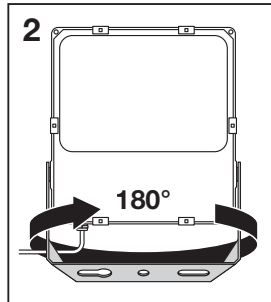
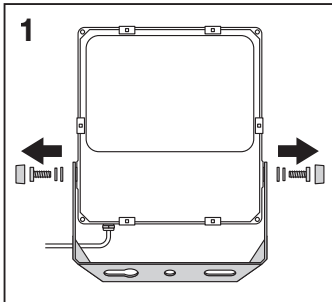
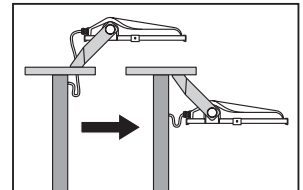
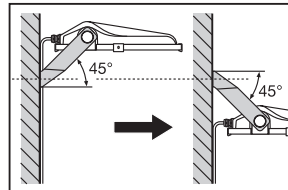
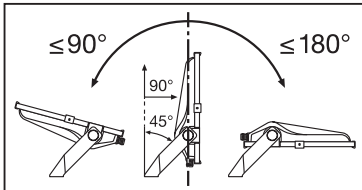
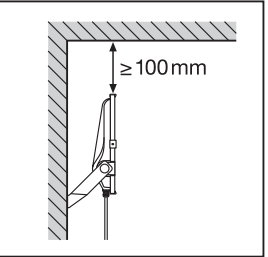
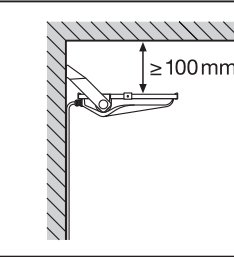
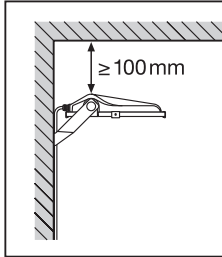
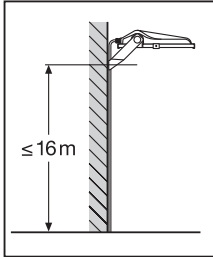
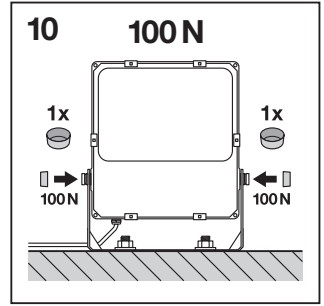
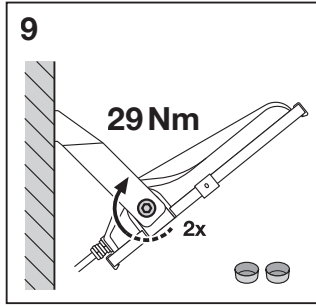
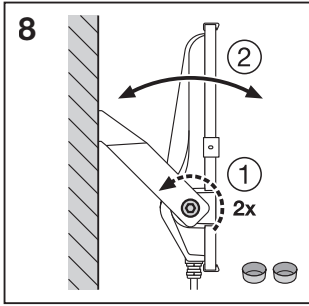


| | EAN | IP | IK | ∠ | R _a | Δ (°C) | PF | ⚙️ |
|----------------------------------|---------------|----|----|----------|----------------|-----------|-------|--------|
| FL PFM 50W/3000K ASYM 55x110 BK | 4058075353299 | 66 | 08 | 55°x110° | > 80 | -30...+50 | > 0.9 | 2.6 kg |
| FL PFM 50W/4000K ASYM 55x110 BK | 4058075353305 | 66 | 08 | 55°x110° | > 80 | -30...+50 | > 0.9 | 2.6 kg |
| FL PFM 100W/3000K ASYM 55x110 BK | 4058075353312 | 66 | 08 | 55°x110° | > 80 | -30...+50 | > 0.9 | 3.9 kg |
| FL PFM 100W/4000K ASYM 55x110 BK | 4058075353527 | 66 | 08 | 55°x110° | > 80 | -30...+50 | > 0.9 | 3.9 kg |
| FL PFM 150W/3000K ASYM 55x110 BK | 4058075353534 | 66 | 08 | 55°x110° | > 80 | -30...+50 | > 0.9 | 4.5 kg |
| FL PFM 150W/4000K ASYM 55x110 BK | 4058075353541 | 66 | 08 | 55°x110° | > 80 | -30...+50 | > 0.9 | 4.5 kg |
| FL PFM 200W/3000K ASYM 55x110 BK | 4058075353558 | 66 | 08 | 55°x110° | > 80 | -30...+50 | > 0.9 | 6.3 kg |
| FL PFM 200W/4000K ASYM 55x110 BK | 4058075353565 | 66 | 08 | 55°x110° | > 80 | -30...+50 | > 0.9 | 6.3 kg |
| FL PFM 290W/3000K ASYM 55x110 BK | 4058075353572 | 66 | 08 | 55°x110° | > 80 | -30...+50 | > 0.9 | 9.5 kg |
| FL PFM 290W/4000K ASYM 55x110 BK | 4058075353602 | 66 | 08 | 55°x110° | > 80 | -30...+50 | > 0.9 | 9.5 kg |
| FL PFM 50W/3000K ASYM 45x140 BK | 4058075353619 | 66 | 08 | 45°x140° | > 80 | -30...+50 | > 0.9 | 2.6 kg |
| FL PFM 50W/4000K ASYM 45x140 BK | 4058075353626 | 66 | 08 | 45°x140° | > 80 | -30...+50 | > 0.9 | 2.6 kg |
| FL PFM 100W/3000K ASYM 45x140 BK | 4058075353633 | 66 | 08 | 45°x140° | > 80 | -30...+50 | > 0.9 | 3.9 kg |
| FL PFM 100W/4000K ASYM 45x140 BK | 4058075353688 | 66 | 08 | 45°x140° | > 80 | -30...+50 | > 0.9 | 3.9 kg |
| FL PFM 150W/3000K ASYM 45x140 BK | 4058075353695 | 66 | 08 | 45°x140° | > 80 | -30...+50 | > 0.9 | 4.5 kg |
| FL PFM 150W/4000K ASYM 45x140 BK | 4058075353701 | 66 | 08 | 45°x140° | > 80 | -30...+50 | > 0.9 | 4.5 kg |
| FL PFM 200W/3000K ASYM 45x140 BK | 4058075353718 | 66 | 08 | 45°x140° | > 80 | -30...+50 | > 0.9 | 6.3 kg |
| FL PFM 200W/4000K ASYM 45x140 BK | 4058075353725 | 66 | 08 | 45°x140° | > 80 | -30...+50 | > 0.9 | 6.3 kg |
| FL PFM 290W/3000K ASYM 45x140 BK | 4058075353732 | 66 | 08 | 45°x140° | > 80 | -30...+50 | > 0.9 | 9.5 kg |
| FL PFM 290W/4000K ASYM 45x140 BK | 4058075353749 | 66 | 08 | 45°x140° | > 80 | -30...+50 | > 0.9 | 9.5 kg |
| FL PFM 150W/3000K SYM R30 BK | 4058075353756 | 66 | 08 | 30° | > 80 | -30...+50 | > 0.9 | 4.5 kg |
| FL PFM 150W/4000K SYM R30 BK | 4058075353763 | 66 | 08 | 30° | > 80 | -30...+50 | > 0.9 | 4.5 kg |
| FL PFM 200W/3000K SYM R30 BK | 4058075353770 | 66 | 08 | 30° | > 80 | -30...+50 | > 0.9 | 6.3 kg |
| FL PFM 200W/4000K SYM R30 BK | 4058075353787 | 66 | 08 | 30° | > 80 | -30...+50 | > 0.9 | 6.3 kg |
| FL PFM 290W/3000K SYM R30 BK | 4058075353794 | 66 | 08 | 30° | > 80 | -30...+50 | > 0.9 | 9.5 kg |
| FL PFM 290W/4000K SYM R30 BK | 4058075353800 | 66 | 08 | 30° | > 80 | -30...+50 | > 0.9 | 9.5 kg |
| FL PFM 150W/3000K SYM 60 BK | 4058075540989 | 66 | 08 | 60° | > 80 | -30...+50 | > 0.9 | 4.5 kg |
| FL PFM 150W/4000K SYM 60 BK | 4058075540996 | 66 | 08 | 60° | > 80 | -30...+50 | > 0.9 | 4.5 kg |
| FL PFM 200W/4000K SYM 60 BK | 4058075541009 | 66 | 08 | 60° | > 80 | -30...+50 | > 0.9 | 6.3 kg |
| FL PFM 200W/4000K SYM 60 BK | 4058075541016 | 66 | 08 | 60° | > 80 | -30...+50 | > 0.9 | 6.3 kg |
| FL PFM 290W/3000K SYM 60 BK | 4058075541023 | 66 | 08 | 60° | > 80 | -30...+50 | > 0.9 | 9.5 kg |
| FL PFM 290W/4000K SYM 60 BK | 4058075541030 | 66 | 08 | 60° | > 80 | -30...+50 | > 0.9 | 9.5 kg |

| | | | | | | 230 Vac | | | | | | | | | |
|------|--|-----|-----|----|----|---------|--------|---|----------------------|---|---|---|------|------|------|
| | | | | | | A | B | C | D | E | | | C10A | B16A | C16A |
| 50W | | 130 | 94 | 9 | - | 9 | 2x M8 | | 0.054 m ² | | 3 | 3 | 5 | | |
| 100W | | 182 | 138 | 11 | 20 | 22 | 2x M10 | | 0.097 m ² | | 4 | 4 | 6 | | |
| 150W | | 182 | 138 | 11 | 20 | 22 | 2x M10 | | 0.110 m ² | | 2 | 3 | 4 | | |
| 200W | | 252 | 208 | 11 | 20 | 22 | 2x M10 | | 0.146 m ² | | 2 | 2 | 3 | | |
| 290W | | 269 | 191 | 13 | 22 | 39 | 2x M12 | | 0.200 m ² | | 4 | 4 | 7 | | |







C10449057
G11098338
26.05.20



LEDVANCE GmbH
Steinerne Furt 62
86167 Augsburg, Germany
www.ledvance.com