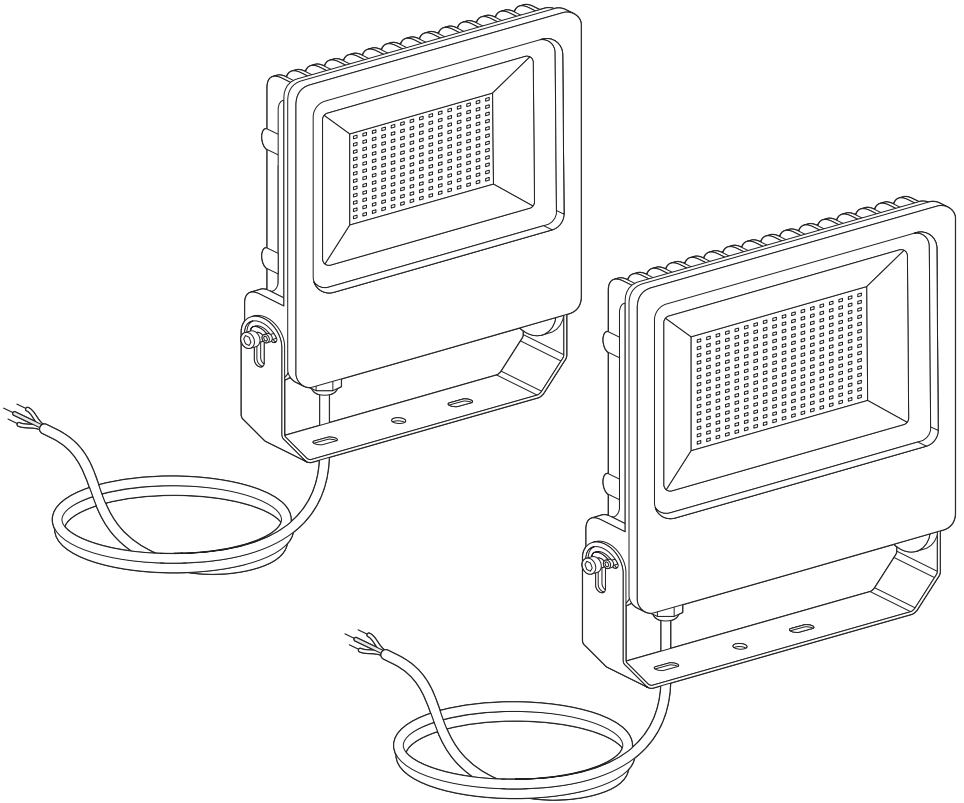
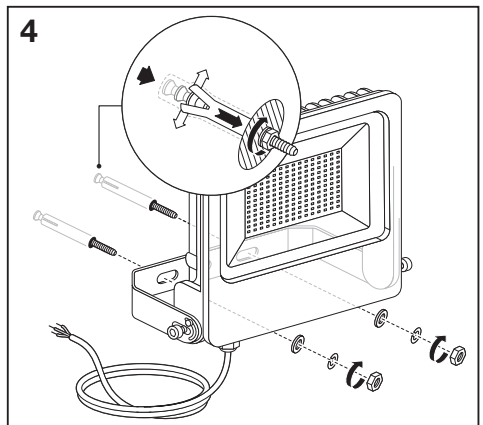
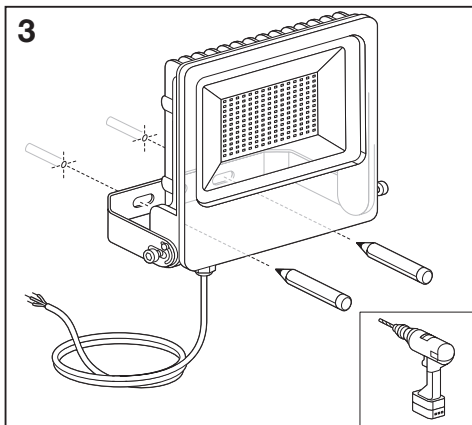
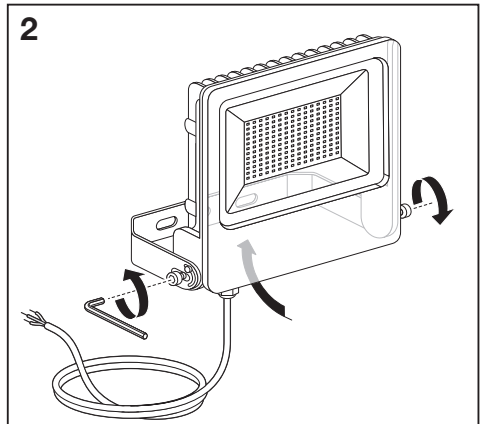
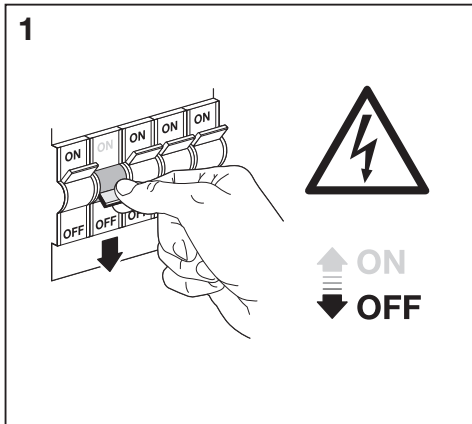
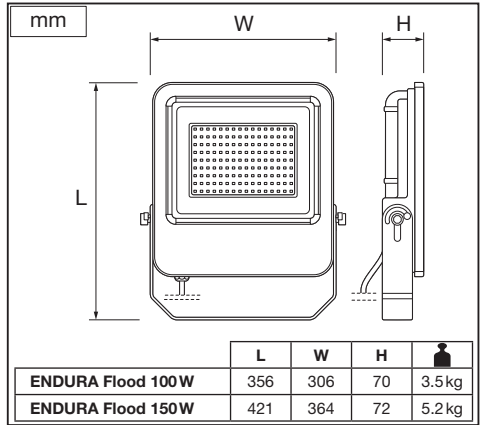
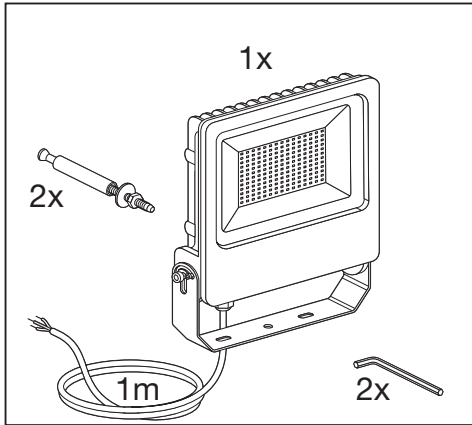
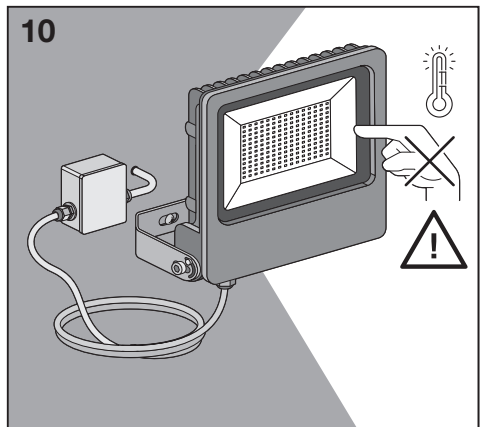
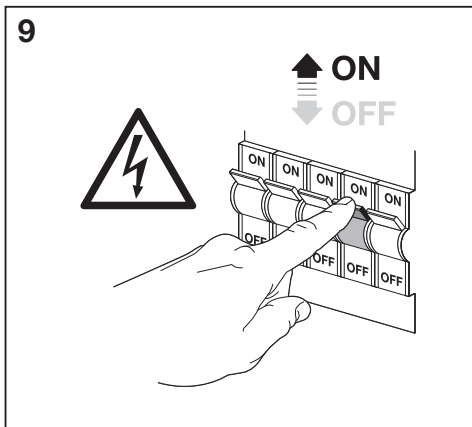
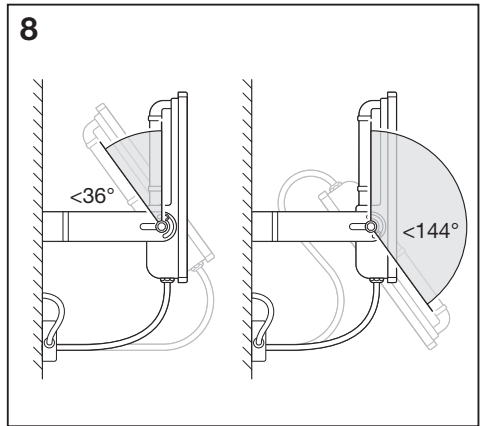
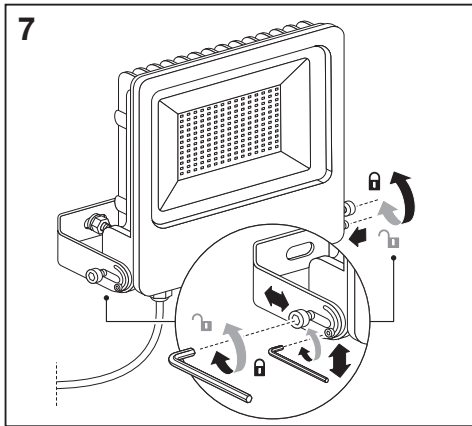
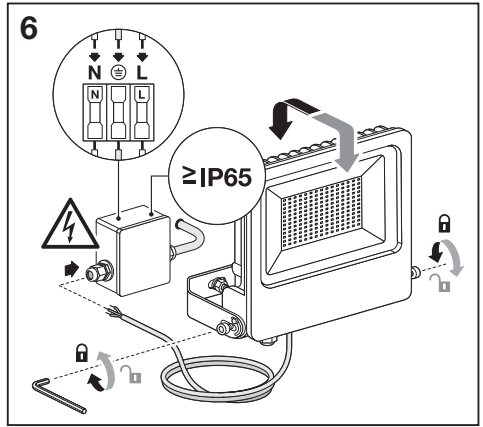
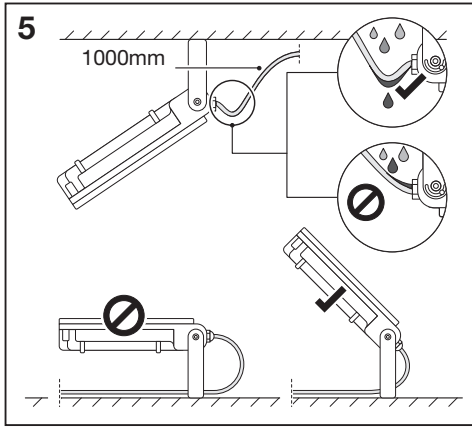



ENDURA® FLOOD

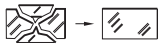
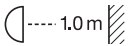


	EAN	W	lm	K	⊖ (°C)	V-	mA	Hz	PF
ENDURA® FLOOD 100W 840 DG	4058075206809	100	8800	4000	-20...+45	220-240	550	50/60	≥0.9
ENDURA® FLOOD 150W 840 DG	4058075206823	150	13200	4000	-20...+45	220-240	750	50/60	≥0.9





	EAN	This product contains a light source of energy efficiency class	Contained Light Source
ENDURA® FLOOD 100W 840 DG	4058075206809	E	
ENDURA® FLOOD 150W 840 DG	4058075206823	E	



C10449057
G11121807
30.06.2021



LEDVANCE GmbH
Steinerne Furt 62
86167 Augsburg, Germany
www.ledvance.com