

Product data sheet

Specifications



PLAIN DOOR W600 18M PRISMA G IP30

LVS08126

Main

Range	PrismaSeT
Range of product	PrismaSeT G
Product or component type	Door
Range compatibility	PrismaSeT (PrismaSeT G) enclosure
Provided equipment	door handle keylock (key 405) other keylock and insert to be ordered separately 2 hinge
Type of door	Plain
IP degree of protection	IP43 with door, canopy and IP43 gasket IP30 without door IP40 with door IP41 with door and canopy

Complementary

Installation description	Wall-mounted enclosure - width 600 mm Extension enclosure - width 600 mm
Door opening side	Reversible
Number of locks	2
Door opening angle	130 °
Number of vertical modules [50 mm]	18
Enclosure material	Handle: polyamide Cover frame: treated sheet steel
Quantity per set	Set of 1
Height	930 mm
Width	600 mm
Depth	36 mm
Net weight	6.12 kg
Surface finish	Matt Textured
Colour	White (RAL 9003)

Disclaimer: This documentation is not intended as a substitute for and is not to be used for determining suitability or reliability of these products for specific user applications

Environment

IK degree of protection	IK08 conforming to EN/IEC 62262
Standards	IEC 61439-2 IEC 61439-1
Protective treatment	Electrophoresis treatment and hot-polymerised polyester epoxy powder

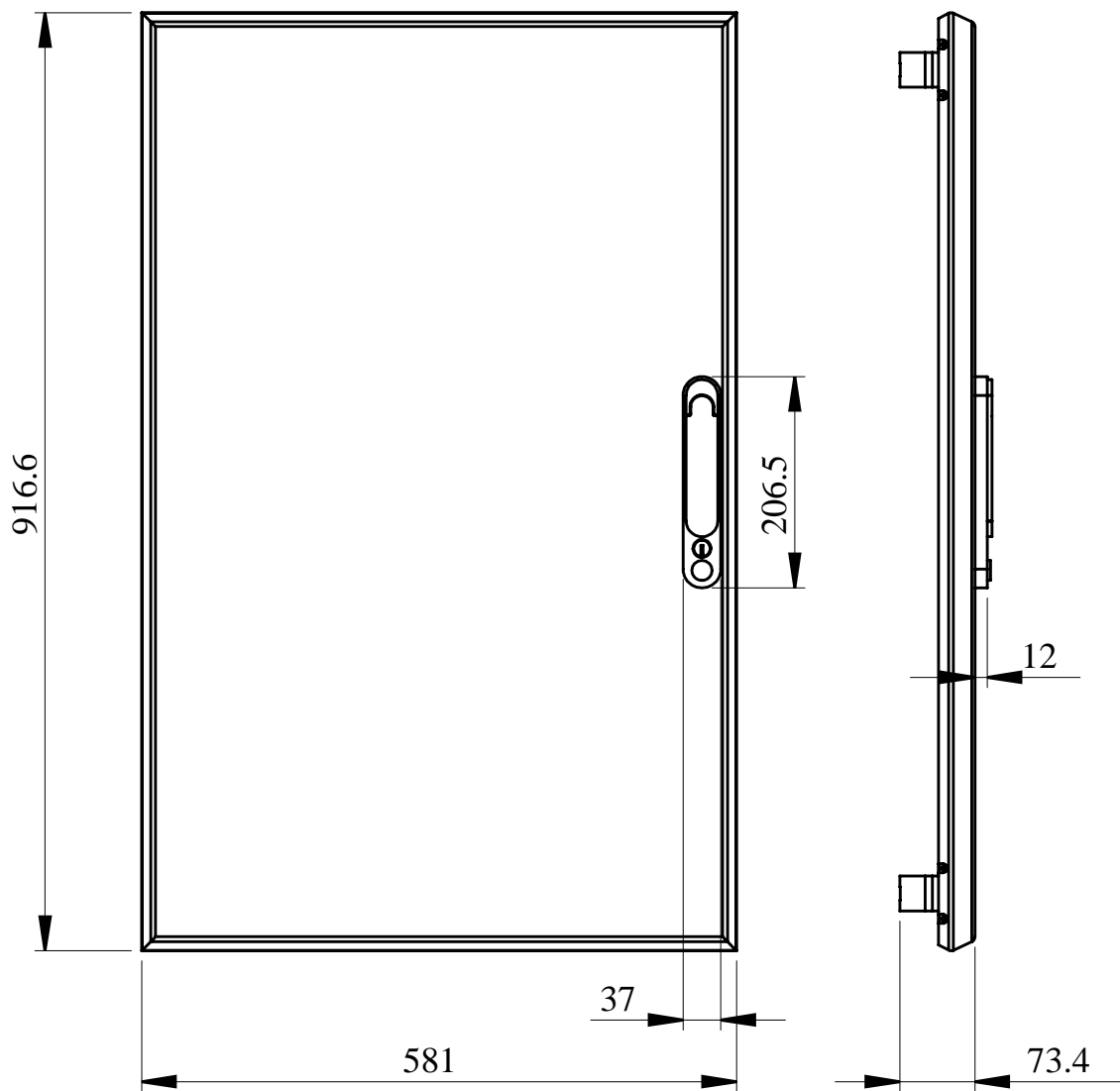
Packing Units

Unit Type of Package 1	PCE
Number of Units in Package 1	1
Package 1 Height	7.0 cm
Package 1 Width	64.0 cm
Package 1 Length	99.5 cm
Package 1 Weight	8.0 kg
Unit Type of Package 2	P12
Number of Units in Package 2	12
Package 2 Height	98.0 cm
Package 2 Width	80.0 cm
Package 2 Length	120.0 cm
Package 2 Weight	107.0 kg

Offer Sustainability

Sustainable offer status	Green Premium product
REACH Regulation	REACH Declaration
EU RoHS Directive	Pro-active compliance (Product out of EU RoHS legal scope) EU RoHS Declaration
Mercury free	Yes
China RoHS Regulation	China RoHS declaration Product out of China RoHS scope. Substance declaration for your information
RoHS exemption information	Yes
Environmental Disclosure	Product Environmental Profile
PVC free	Yes

Dimensions



- All dimensions are approximate and are in mm.
- Also see technical documentation.

Recommended replacement(s)