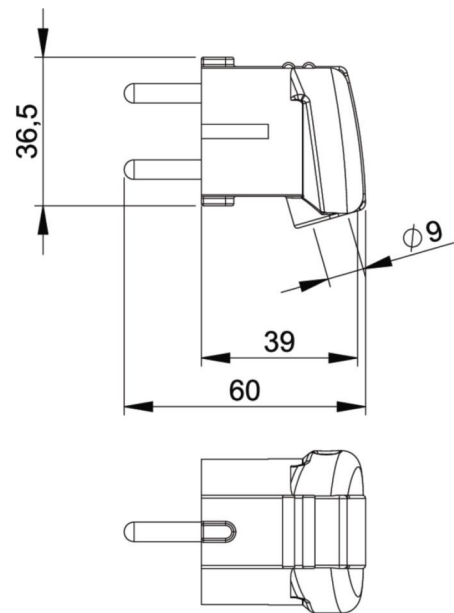


PCE data sheet

| | |
|---------------------|---|
| article# | 05018 |
| article description | safety plug PP nat side white IP20 |
| description long | safety plug PP nat side white IP20 housing material: polypropylen (PP) cable entry: side housing color: white earthing system: Austrian/German standard 250V 16A 2P+E protection rating: IP20 |
| GTIN (EAN) | 9003399011160 |
| country of origin | DE |
| customs number | 85366990 |
| net weight | 0.035 kg |
| packaging quantity | 50 |

| | |
|---|-----------------------------|
| ETIM 7.0 | EC000242 |
| Model | Protective contact (SCHUKO) |
| Material | Plastic |
| Material quality | Thermoplastic |
| For heavy conditions (in accordance with VDE) | False |
| Degree of protection (IP) | IP20 |
| Angle of plug | Right-angled |
| Connection system | Screwed terminal |
| Colour | White |
| Number of poles | 3 |
| Nominal voltage | 250 V |
| Nominal current | 16 A |
| Protective earth pin round | False |

| | |
|--------------------|--------------------------|
| K (cable Ø) | 10,4 mm |
| wire flexible | 0,75-2,5 mm ² |
| contact screws | 40 Ncm |
| strain relief | 50 Ncm |
| dismantling length | 40-45 mm |
| stripping length | 7 mm |



www.manufacturer-safety.info