

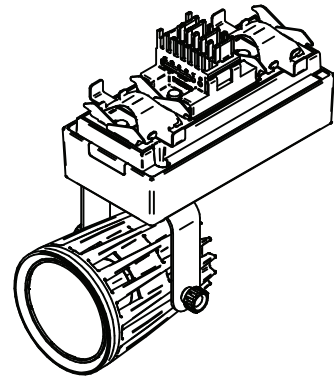
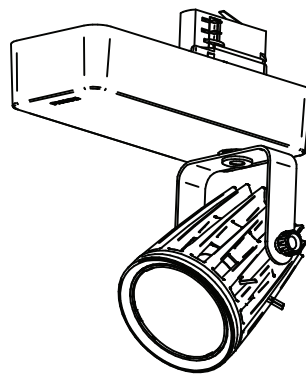
PHILIPS

EcoStyle

ST440T, ST440S

ST440T

ST440S



50Hz
60Hz

220V
240V



LEDs


IK02


GLOW
WIRE
650°C

Max.
40°C
Min.
10°C



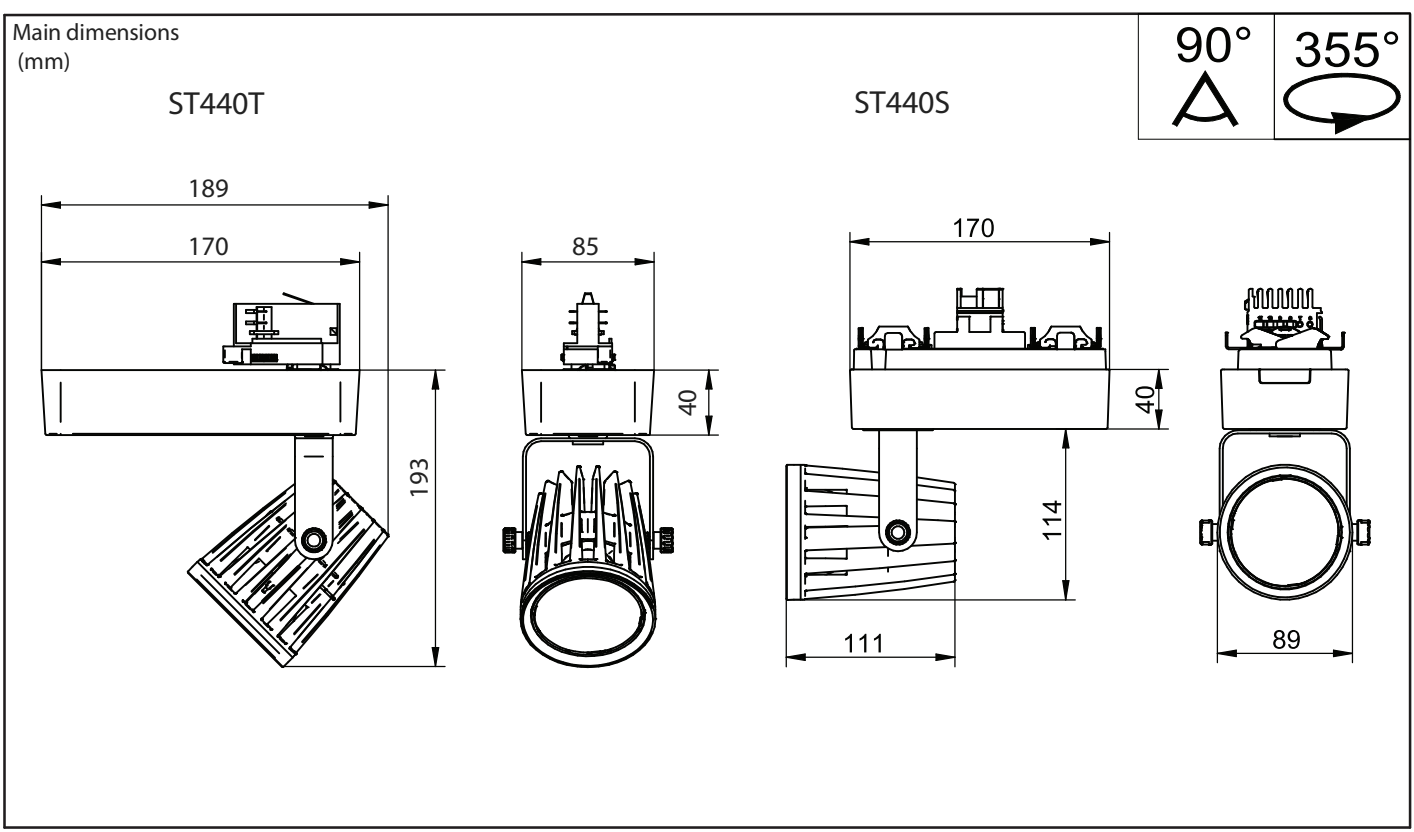
IP20

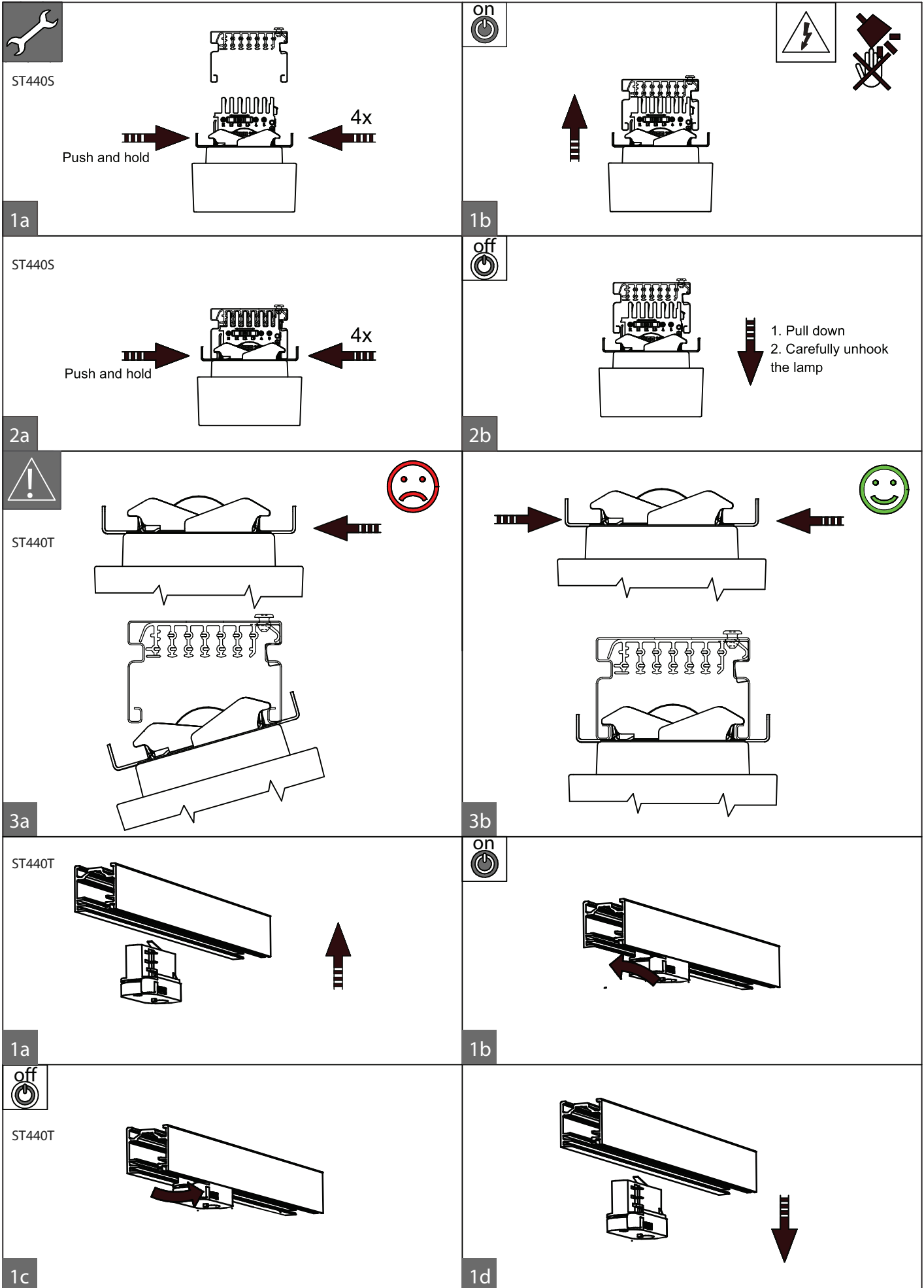
Model	Lumen package	Color temperature [K]	
ST440T	LED17S	830/840	1,0
	LED27S	830/840	1,0
	LED39S	830/840	1,0
ST440S	LED19S	FMT	1,0
	LED19S	ROSE	1,0
	LED27S	ROSE	1,0
	LED27S	CH	1,0
	LED27S	FR	1,0




IPT label

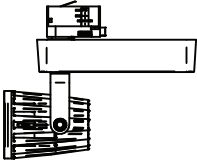
The light source of this luminaire is not replaceable; when the light source reaches its end of life the whole luminaire shall be replaced!



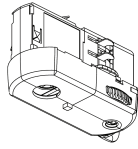


 Phase selection

ST440T

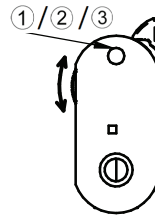
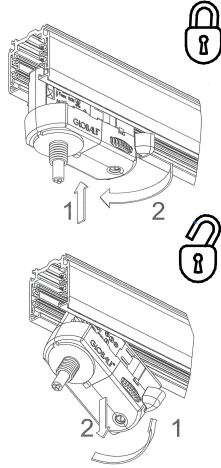
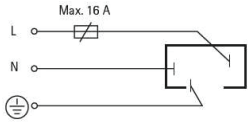


GA69

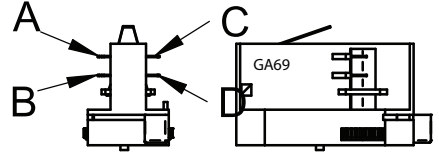


GLOBAL Trac Base

Connection
230 V AC, 16 A, 3.7 kW

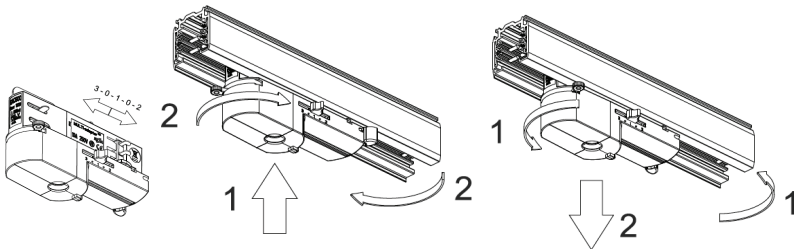


-	-	-	-
A	C	L	-
B	D	N	-
(1/2/3)	(1/2/3)	1	2



 Phase selection

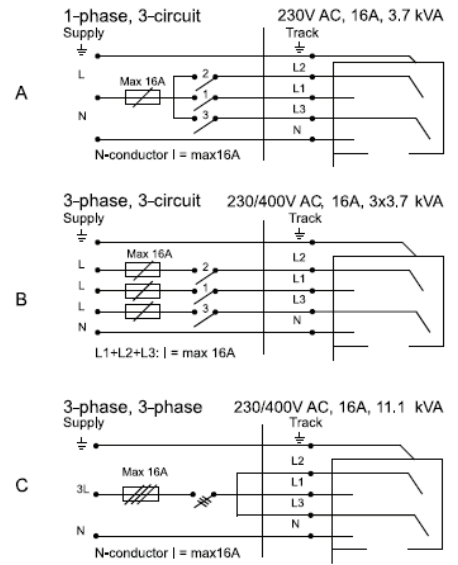
ST440T
GAC 600




GAC
600 dali
1A 50V FELV

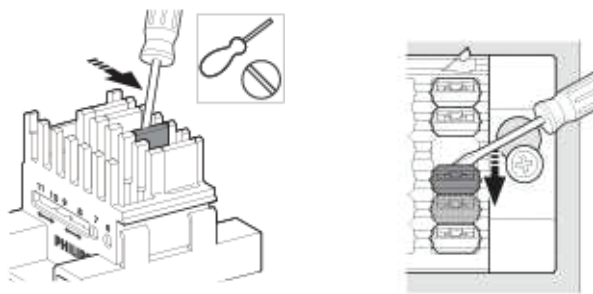


GLOBAL Trac Control PULSE

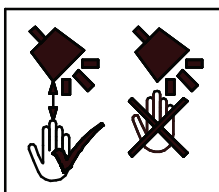


 Phase selection

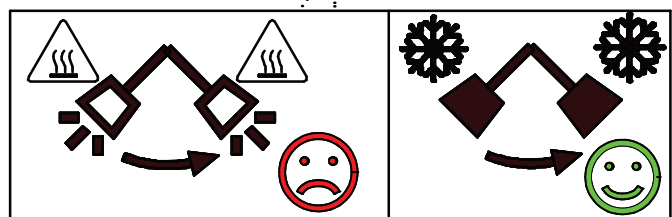
ST440S

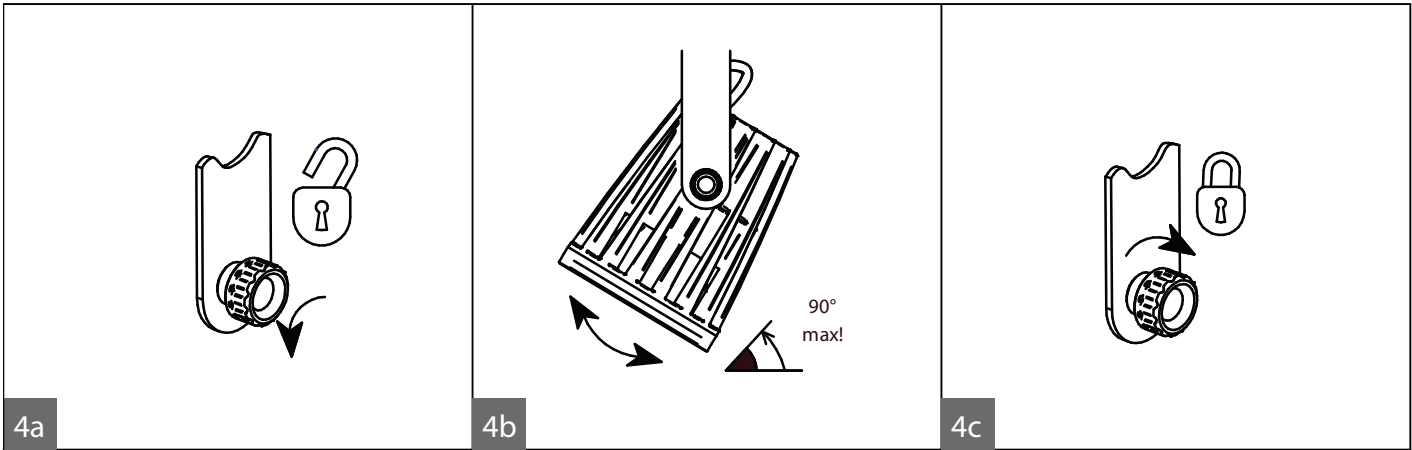


Mounted out of
arms reach

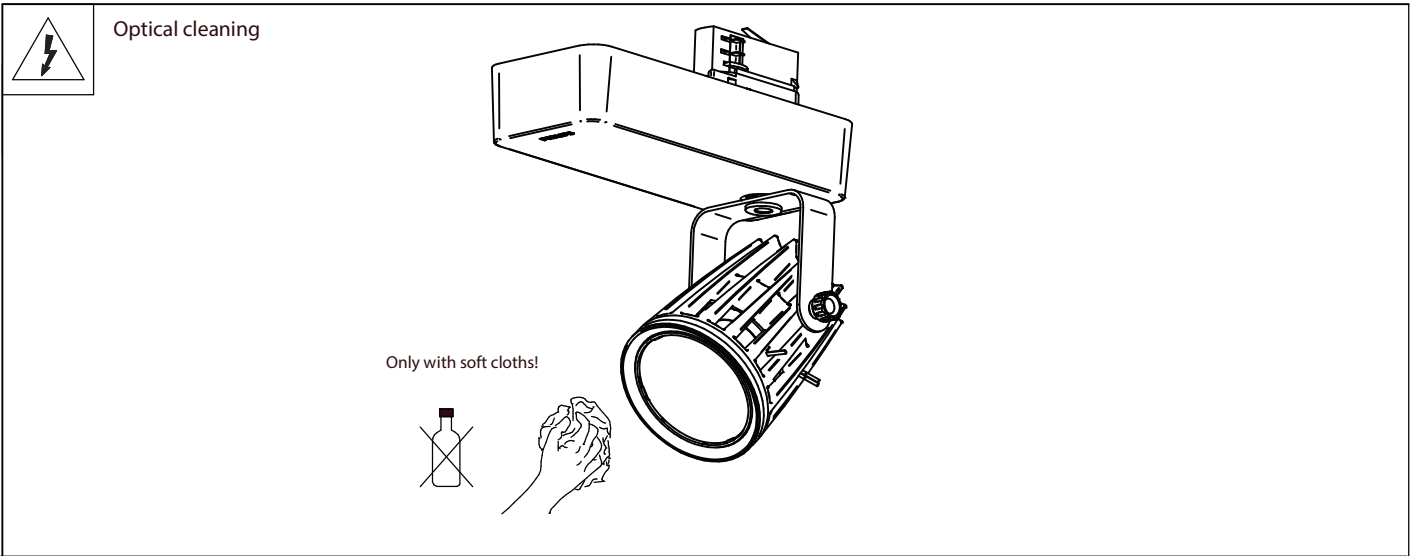
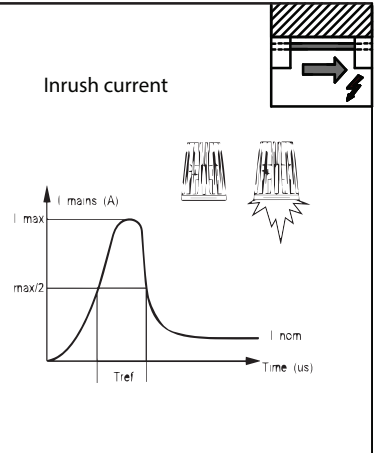


Don't touch until it cooled down





	ST440 LED17S		ST440 LED19S ROSE		ST440 LED19S FMT		ST440 LED27S, CH, FR		ST440 LED27S ROSE		ST440 LED39S	
	PSU	PSD VLC	PSU	PSD VLC	PSU	PSD VLC	PSU	PSD VLC	PSU	PSD VLC	PSU	PSD VLC
Inom(A)	0,07		0,1		0,12		0,1		0,14		0,14	
I _{max} (A)	18	20,4	18	20,4	18	20,4	6,1	20,4	18	20,4	11	20,4
T _{ref} (us) (@ I _{max} 50%)	250	195	250	195	250	195	310	195	250	195	306	195
MCB	Max. products											
B-16A	34	24	34	24	34	24	34	24	34	24	34	24



© 2018 Signify Holding
 All rights reserved. This document contains information relating to the product portfolio of Signify which information may be subject to change. No representation or warranty as to the accuracy or completeness of the information included herein is given and any liability for any action in reliance thereon is disclaimed. The information presented in this document is not intended as any commercial offer and does not form part of any quotation or contract. Philips and the Philips Shield Emblem are registered trademarks of Koninklijke Philips N.V.. All other trademarks are owned by Signify Holding or their respective owners.



Signify Holding.
 The Netherlands