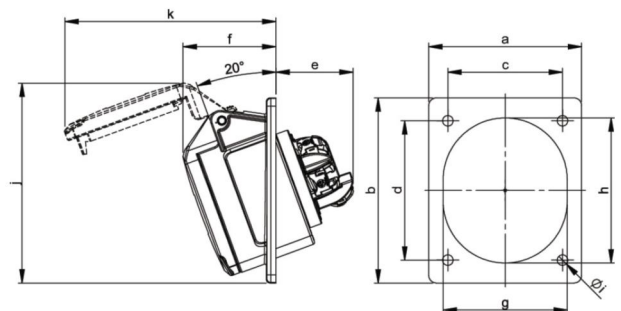
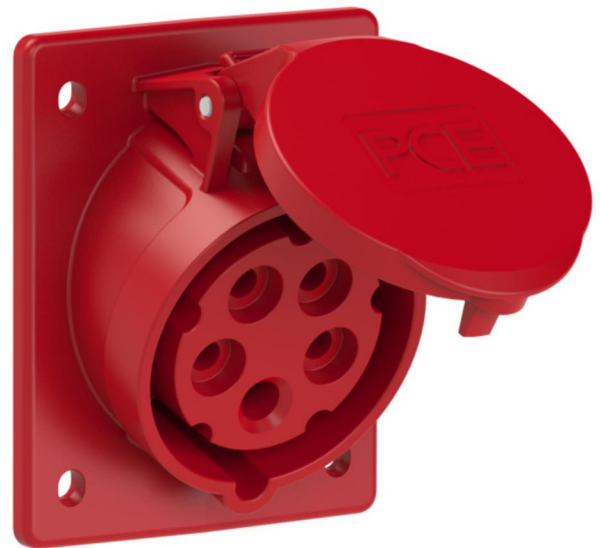


## PCE data sheet

article#	<b>415-6tt</b>
article description	<b>CEE-flanged socket sloping (80x97mm) 16A 5p 6h IP44/IP54 TT</b>
description long	CEE-flanged socket sloping (80x97mm) 16A 5p 6h IP44/IP54 TT housing material: PA6 rated current: 16A number of poles: 5 (3P+N+PE) clock-position: 6h rated voltage/frequency: 200/346V~ - 240/415V~ / 50+60Hz contacts: brass connection technology: screwless terminals (TT) dimensions (flange/fixing center): 80x97 mm / 60x73 mm IP protection class: IP44/IP54
GTIN (EAN)	9003399231322
country of origin	AT
customs number	85366990
net weight	0.158 kg
packaging quantity	10

ETIM 7.0	EC001317
IEC-amperage	16 A
Voltage acc. EN 60309-2	400 V (50+60 Hz) red
Number of poles	5
Clock hour position	6 h
Identification colour	Red
Degree of protection (IP)	IP44
Connection system	Screw less terminal
Angle of plug	Angled
Material	Plastic
Contact material	CuZn
Surface finish contacts	Untreated
Flange size vertical	97 mm
Drill hole distance vertical	73 mm
Flange size horizontal	80 mm
Drill hole distance horizontal	60 mm

wire flexible	1-2,5 mm <sup>2</sup>
wire solid	1-4 mm <sup>2</sup>
dismantling length	50 mm
stripping length	10-12 mm



[www.manufacturer-safety.info](http://www.manufacturer-safety.info)