

PCE data sheet

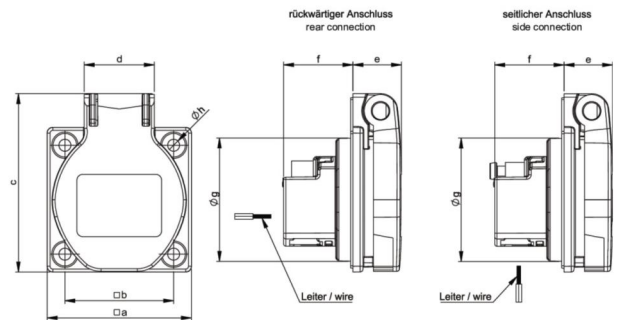
article#	1040-0bsc
article description	Safety socket P-NOVA+, 50x50 French/Belgian shutter IP54 side (blue)
description long	Safety socket series P-NOVA plus housing material: PA6 color: blue flange dimension: 50x50mm connection technology: screw terminal cable entry: side entry system: French/Belgian with shutter contacts: nickel plated 250V, 16A, 2P+E protection class: IP54
GTIN (EAN)	9003399020261
country of origin	LK
customs number	85366990
net weight	0.045 kg
packaging quantity	100
minimum order quantity	100

ETIM 8.0	EC001325
Model	Earthing pin
Material	Plastic
Material quality	Thermoplastic
Flange size	50x50 mm
With hinged lid	True
For heavy conditions according to VDE	True
Degree of protection (IP)	IP54
Angle of plug	Straight
Connection system	Screwed terminal
Colour	Blue
Number of poles	3
Nominal current	16 A
Nominal voltage	250 V

wire flexible	1-2x2,5 mm ²
wire solid	1-2x2,5 mm ²
contact screws	80 Ncm
stripping length	8-10 mm



<https://www.pcelectric.at/shop/en/?func=detail&artnr=1040-0bsc>



www.manufacturer-safety.info