

CEM18.10-230V-50/60Hz



Specifications

ETI Code	004644123
Description	CEM18.10-230V-50/60Hz
Class name	Motor contactor
Rated operation current Ie at AC1 (A)	32
Rated operation current Ie at AC3, 400V (A)	18
Rated operation power at AC3 (kW)	7,5
No. Of poles	3
No. of aux NO contacts	1
Rated operational voltage (V AC)	690
Rated control circuit voltage Uc (V AC)	230
0	

[Online product page](#) 

Other documentation



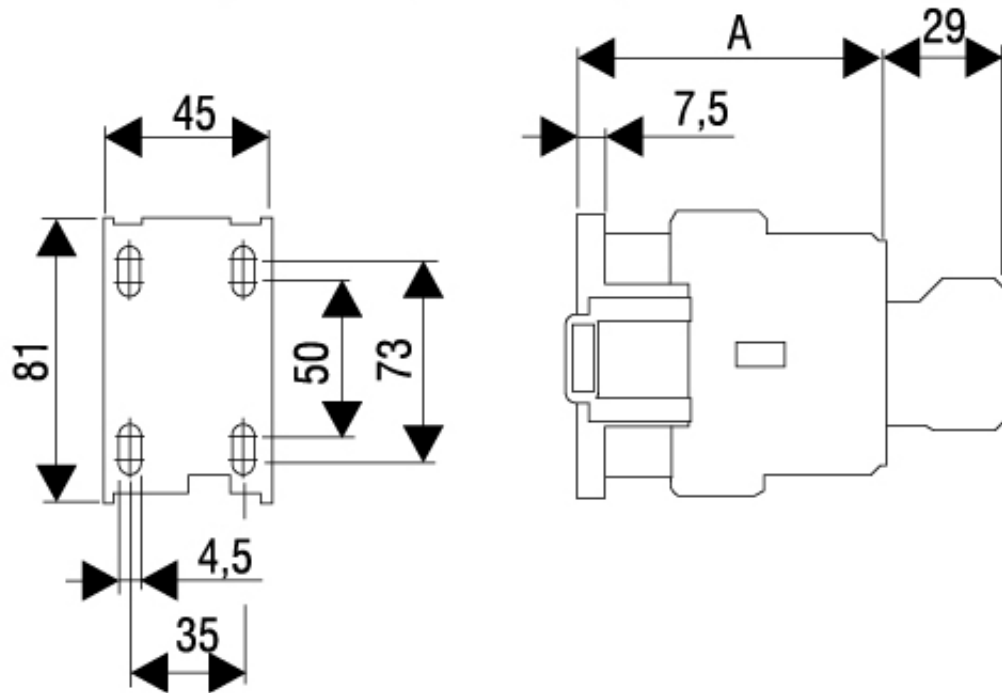
[Technical data catalogue](#)
[3D Model](#)
[Instruction manual](#)
[CE declaration](#)
[Eplan file](#)

ETIM international clasification

Classification	EC000066
Class name	Power contactor, AC switching
Rated control supply voltage Us at AC 50HZ	230...230V
Rated control supply voltage Us at AC 60HZ	230...230V
Rated control supply voltage Us at DC	230...230V
Voltage type for actuating	AC
Rated operation current Ie at AC-1, 400 V	32A
Rated operation current Ie at AC-3, 400 V	18A
Rated operation power at AC-3, 400 V	7.5kW
Modular version	
Number of auxiliary contacts as normally open contact	1
Type of electrical connection of main circuit	Frame clamp
Number of main contacts as normally open contact	3

Dimension drawing

	AC	DC
CAEM4	A=85	A=115
CEM9	A=85	A=115
CEM12	A=85	A=115
CEM18	A=85	A=115
CEM25	A=87	A=117



Wiring diagram

