

PCE data sheet

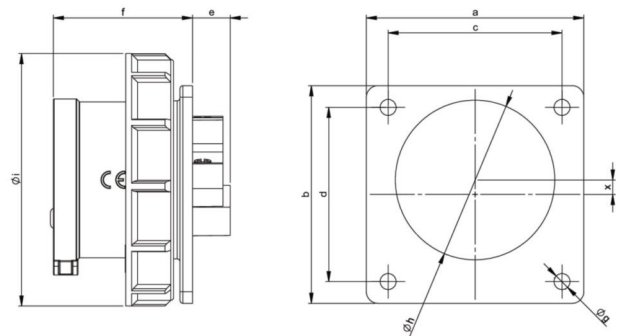
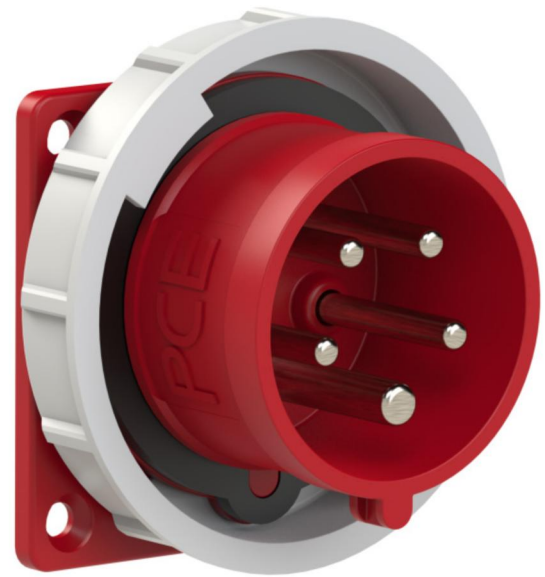
article#	86152-6
article description	CEE-phase inverter flanged plug straight 16A 5p 6h IP67
description long	CEE-phase inverter flanged plug straight 16A 5p 6h IP67 housing material: PA6 rated current: 16A number of poles: 5 (3P+N+PE) clock-position: 6h rated voltage/frequency: 200/346V~ - 240/415V~ / 50+60Hz contacts: brass nickel plated connection technology: screw terminals dimensions (flange/fixing center): 75x75 mm / 60x60 mm IP protection class: IP67
GTIN (EAN)	9003399776984
country of origin	AT
customs number	85366990
net weight	0.150 kg
packaging quantity	10
minimum order quantity	10

ETIM 8.0	EC001319
IEC-ampereage	16 A
Voltage according to EN 60309-2	400 V (50+60 Hz) red
Number of poles	5
Clock hour position	6 h
Identification colour	Red
Degree of protection (IP)	IP67
Connection system	Screwed terminal
Construction type	Built-up device plug
Phase inverter	True
Angle of plug	Straight
Material	Plastic
Contact material	CuZn
Surface treatment contacts	Nickel-plated

wire flexible	1-2,5 mm ²
contact screws	100 Ncm
dismantling length	50 mm
stripping length	10-12 mm



<https://www.pcelectric.at/shop/en/?func=detail&artnr=86152-6>



www.manufacturer-safety.info