

PHILIPS

Lighting



DigiStreet Medium

BGP762 LED159-4S/757 I DPR1

Introduction

Developed with the aim to become your long term partner ,the system ready architecture of DigiStreet enables you to enjoy the benefits of connected lighting systems today and also gets the city ready for the innovations to come!. Its two sockets enable you to connect directly to the Philips CityTouch system and is also prepared to connect you to the future innovations of IoT.Next to this, each individual luminaire is uniquely identifiable, thanks to the Philips Service tag application. With a simple scan of a QR code, placed on the inside of the mast door, you gain instant access to the luminaire configuration, making maintenance and programming operations faster and easier, no matter what stage of the luminaire's lifetime. Digistreet is also equipped with dedicated light recipes that: 1) maintain an optimal ecosystems for bats or 2) preserve a dark night sky.

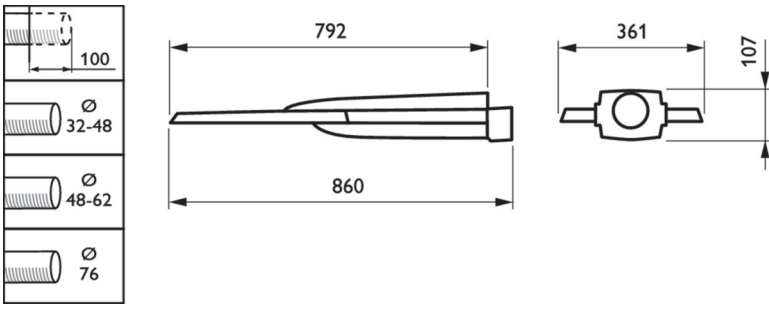
Product Information

Product Family Code	BGP762
Mechanical and Housing	
Housing Material	Aluminum die cast
Fixation material	Stainless steel
Ingress protection code	IP66
Mech. impact protection code	IK09
Corrosion resistance	500 hours Salt Spray Test for standard version, 1.000 hours. Salt Spray Test optional Marine Salt Protection (MSP)
Certification	
CE mark	CE mark
ENEC mark	ENEC mark
RoHS mark	-
WEEE mark	-
Protection class IEC	I
Service	
Warranty period	5 years
Serviceability	Class A, luminaire is equipped with serviceable parts (when applicable): LED board, driver, control units, surge protection device, optics, front cover and mechanical parts
Light source replaceable	Yes
Operating ambient temperature range Tamb	-40 to +50 °C
Performance ambient temperature (Tq)	25 °C
L-Value	L96
Lifetime	100000 h
Surge protection	6KV in Common or Differential mode as standard, 10KV with optional Surge Protector Device (SPD)

IPEA - Energy classification

Road		Large area		Historical centers		Green areas		Cycle & pedestrian	
IPEA	Class	IPEA	Class	IPEA	Class	IPEA	Class	IPEA	Class
1.87	A7+	2.21	A11+	2.38	A12+	1.82	A7+	1.82	A7+

Dimensional drawing(s) - mm



Light technical Report

Drivers

Description	Xi FP 150W 0.2-0.7A SNLDAE 230V S240 sXt
12NC	929002128606
Number of driver(s)	1
Number of luminaire per MCB 16A	8
Inrush current	53 A
Inrush time	300 µs
Input Voltage	220V-240V
Input Frequency	50/60 Hz
Current	513 mA
System power (minimum)	94 W
System power (maximum)	94 W
System power (average)	94 W
Power consumption tolerance	+/-11%
Power Factor (100%)	0.99
Power Factor (50%)	0.97
Connectivity	No connectivity
Dimming	DALI

Light engine

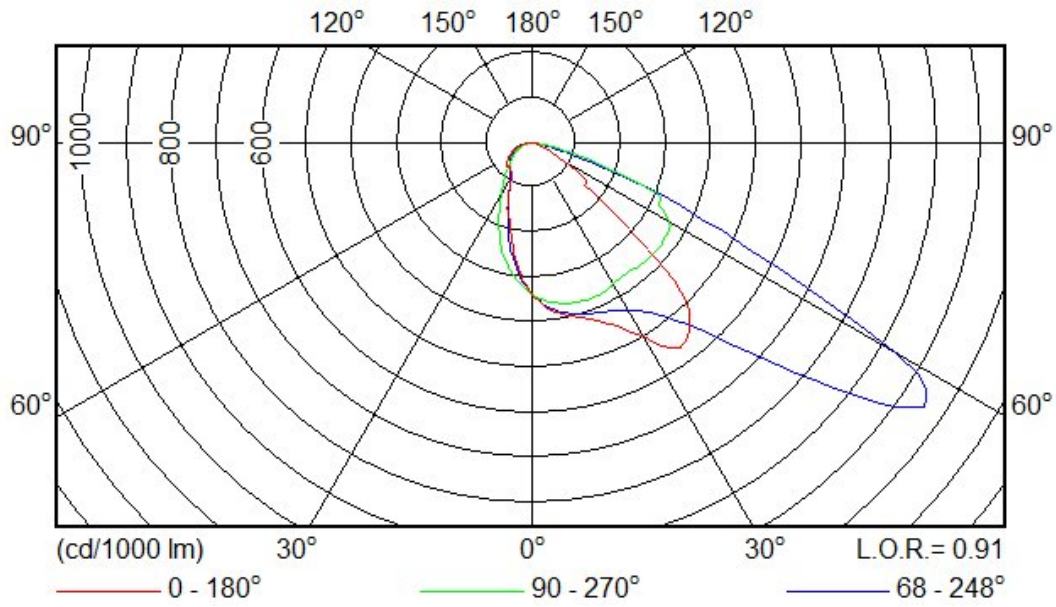
Light source engine type	LED
Number of LED	60
Initial LED luminaire efficacy (source)	170 lm/W
Initial LED luminaire efficacy (system)	155 lm/W
Light source colour	757 (Cool White)
Init. colour Rendering Index	70
Init. Corr. colour Temperature	5700 K
Initial tolerance	+/- 280 K (5 SDCM)
End of life tolerance	+/- 425 K
Initial luminous flux (source)	16000 lm
Luminous flux tolerance	+/-7%
Initial luminous flux (system)	14560 lm
Photobiological risk	Risk group 0 (exempt) according to EN IEC 62471

Optics

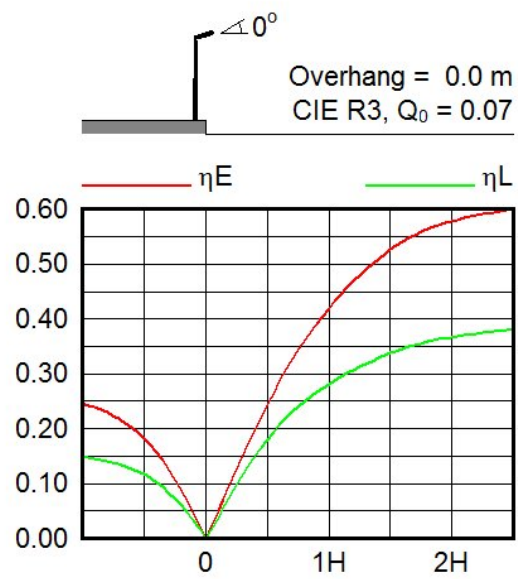
Optical configuration	DPR1
LOR	0.91
ULR at tilt=0°	0.00%
G* at tilt=0°	G*6
Imax (at 90° and above)	0 cd/klm
CIE code	49 86 99 100 91

Photometric Graphs

Polar intensity diagram



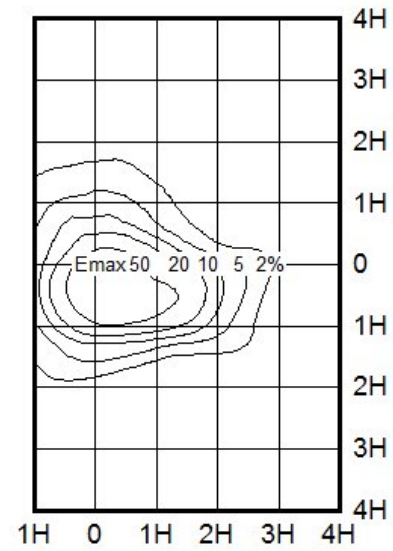
Utilisation factor curve and luminance yield diagram Relative isolux diagram



Horizontal Illuminance $\triangle 0^\circ$

H	E_{max}
(m)	(lux)
4.0	372
6.0	165
8.0	93

M.F. = 1.0



Lab Information & Certification

Lab Information

Test standards

EN 13032-4:2015	Light and lighting. Measurement and presentation of photometric data of lamps and luminaires. Part 4: LED lamps, modules and luminaires
EN 13032-1:2014	Light and lighting. Measurement and presentation of photometric data of lamps and luminaires. Part 1: Measurement and file format
IEC 62717:2014+AMD1:2015	LED modules for general lighting - performance requirements
IES LM-79-08	IES Approved Method: Electrical and Photometric Measurements of Solid-State Lighting Products
IEC / EN 62722-1:2014	Luminaire performance - Part 1: General requirements
IEC / EN 62722-2-1:2014	Luminaire performance - Part 2-1: Particular requirements for LED luminaires

Test equipment

LMT GO-DS 2000 Goniometer (C/G)	<input type="checkbox"/>
Yokogawa WT3000 power analyzer	<input type="checkbox"/>
Chroma 6415 programmable AC source	<input type="checkbox"/>
Agilent 6675A system DC power supply	<input type="checkbox"/>
Integrating sphere U-101-A	<input type="checkbox"/>
EM TEST NetWave3 AC/DC source	<input type="checkbox"/>
FLUKE Norma 4000 power analyzer	<input type="checkbox"/>
Sonopan L-100 luxmeter	<input type="checkbox"/>
Gigahertz X1-3 hazard lightmeter	<input type="checkbox"/>
Gigahertz XD-45-HB-4 Head	<input type="checkbox"/>
Gigahertz XD-45-HUV-4 head	<input type="checkbox"/>

MEASUREMENT UNCERTAINTIES

Type of test	Uncertainties
Luminous flux	+/- 2.2 %
Power	+/- 0.5 %
Imax	+/- 2.2 %
Beam angle of Imax	+/- 0.1°
Ambient temperature 0-50°C	+/- 0.1°C

.....
Signed-off by
Dariusz Pierzchanowski

DISCLAIMER: This photometry report is compiled based on real measurement done in Signify Laboratories during development and release of new products and calculation data pulled from PPS web-based tool and internal data. The values present in this report may differ from real values measured for specific product, but not more than +/-11 % on power and +/- 7% on lumen.



APPENDIX TO CERTIFICATE

SMT/CTF-3/0001/3/2018

Supervised Manufacturers' Testing SMT Customer's Testing Facility CTF - Stage 3

List of products

for which the Laboratory of Quality Philips Lighting Poland Sp. z o.o. Pila O/Kętrzyn
is authorized to perform testing
for ITE PREDOM Division as a certification body in the framework
ENEC an CCA agreements and IECEE CB Scheme

CATEGORY	PRODUCTS*)	STANDARDS**)		
		For ENEC and CCA	For IECEE CB Scheme	For national certification
LITE	Fixed general purpose luminaires	EN 60598-1 EN 60598-2-1	IEC 60598-1 IEC 60598-2-1	EN 60598-1 EN 60598-2-1
LITE	Recessed luminaires	EN 60598-1 EN 60598-2-2	IEC 60598-1 IEC 60598-2-2	EN 60598-1 EN 60598-2-2
LITE	Luminaires for road and street lighting	EN 60598-1 EN 60598-2-3	IEC 60598-1 IEC 60598-2-3	EN 60598-1 EN 60598-2-3
LITE	Floodlights	EN 60598-1 EN 60598-2-5	IEC 60598-1 IEC 60598-2-5	EN 60598-1 EN 60598-2-5
LITE	Luminaires for emergency lighting	EN 60598-1 EN 60598-2-22	IEC 60598-1 IEC 60598-2-22	EN 60598-1 EN 60598-2-22
LITE	Luminaires with limited surface temperatures	EN 60598-1 EN 60598-2-24	IEC 60598-1 IEC 60598-2-24	EN 60598-1 EN 60598-2-24
LITE	LED modules for general lighting	EN 62031	IEC 62031	EN 62031
LITE (ENEC+)	LED modules for general lighting	EPRS 001/ IEC 62717	-	-
LITE (ENEC+)	Luminaires	EPRS 002 / IEC 62722-1	-	-
LITE (ENEC+)	LED Luminaires	EPRS 003/ IEC 62722-2-1	-	-
LITE	Lamp and luminaires	-	-	EN 13032-1
LITE	Lamp and luminaires	-	-	EN 13032-2
LITE	Lamp and luminaires	-	-	EN 13032-3
LITE	LED lamps, modules and luminaires	-	-	EN 13032-4
LITE	Solid-State Lighting Products	-	-	LM-79

*) - Name and address of manufacturing place of the products: Philips Lighting Poland Sp. z o.o. Pila, ul. Kossaka 150, O/Kętrzyn ul. Chrobrego 8, 11-400 Kętrzyn, Poland

**) - newest edition of the standards/documents

Manager of Certification Office
ITE PREDOM Division

Joanna Walczak- Zlotkowska

Deputy Director of ITE PREDOM Division

Aleksander Piotrowski

Warsaw, 2018-11-28



Instytut Technologii Elektronowej Oddział PREDOM
Institute of Electron Technology PREDOM Division
ul. Krakowiaków 53, 02-255 WARSZAWA, POLSKA - POLAND

POLSKIE CENTRUM AKREDYTACJI
POLISH CENTRE FOR ACCREDITATION



Sygnatariusz EA MLA
EA MLA Signatory

CERTYFIKAT AKREDYTACJI
LABORATORIUM BADAWCZEGO
ACCREDITATION CERTIFICATE OF TESTING LABORATORY
Nr AB 003

Potwierdza się, że: / This is to confirm that:

INSTYTUT TECHNOLOGII ELEKTRONOWEJ
Al. Lotników 32/46, 02-668 Warszawa
INSTYTUT TECHNOLOGII ELEKTRONOWEJ ODDZIAŁ PREDOM
LABORATORIUM BADAWCZE
ul. Krakowiaków 53, 02-255 Warszawa

spełnia wymagania normy PN-EN ISO/IEC 17025:2005
meets requirements of the PN-EN ISO/IEC 17025:2005 standard

Akredytowana działalność jest określona w Zakresie Akredytacji Nr AB 003
Accredited activity is defined in the Scope of Accreditation No AB 003

Akredytacja pozostaje w mocy pod warunkiem przestrzegania
wymagań jednostki akredytującej określonych w kontrakcie Nr AB 003
This accreditation remains in force provided the Laboratory observes
the requirements of Accreditation Body defined in the Contract No AB 003

Akredytacji udzielono dnia 27.04.1993 r.
Accreditation was granted on 27.04.1993



DYREKTOR
POLSKIEGO CENTRUM AKREDYTACJI


LUCYNA OLBORSKA

Warszawa, 10 grudnia 2018 roku

Intensity Table

FORMAT=PHILLUM
VERSION=2.0
STATUS=R
MCOD=LVE16B9194
DATE=2018-01-05
TXTS="L-TUNE 2021-06-07"
ORIG=WLD
BRAND=PHILIPS
FAMILY=DigiStreet Medium
FAMCOD=BGP762
HOUSING=BGP762 T25
OPTICS=DPR1
BLID=-
LAMP=LED159-4S
LAFLUX=16000
NLPS=1
LAMPCL=757
INPW=94
INVO=230
GEOTYPE=3
GEOL1=0.107
GEOL2=0.361
GEOL3=0.792
OPTTYPE=3
OPTL1=0
OPTL2=0.313
OPTL3=0.285
SURF76=0.022
SURF85=0.008
PTYP=C
BANGLE=0.0
TLME=0.0
LUBA=1000
CORR=0.98
SYMCON=4
SYMPANE=4
NCON=62
NPLA=145
CONA= 0 2 4 6 8 10 12 14 16 18 20 22 24 26 28 30 32 34 36 38 40 42 44 46 48 50 52 54 56 58 59 60 61 62 63 64

65	66	67	68	69	70	71	72	73	74	75	76	77	78	79	80	81	82	83	84	85	86	87	88	89	90
67.5	70	72.5	75	77.5	80	82.5	85	87.5	90	92.5	95	97.5	100	102.5	105	107.5	110	112.5	115	117.5	120	122.5	125		
127.5	130	132.5	135	137.5	140	142.5	145	147.5	150	152.5	155	157.5	160	162.5	165	167.5	170	172.5	175	177.5	180				
182.5	185	187.5	190	192.5	195	197.5	200	202.5	205	207.5	210	212.5	215	217.5	220	222.5	225	227.5	230	232.5	235				
237.5	240	242.5	245	247.5	250	252.5	255	257.5	260	262.5	265	267.5	270	272.5	275	277.5	280	282.5	285	287.5	290				
292.5	295	297.5	300	302.5	305	307.5	310	312.5	315	317.5	320	322.5	325	327.5	330	332.5	335	337.5	340	342.5	345				
347.5	350	352.5	355	357.5	360																				
ITABLE=	341	354.6	366.9	377.6	386.3	393.2	399.3	405.3	411.4	418.5	427	437.8	451.3	467.3	485.1	505.8	532.9								
561.3	574.1	569.5	556.1	537.1	508	449.1	331.1	199.4	154.6	155.3	146.8	118.3	100.3	84.7	72.3	62.3	54.4	48.2							
43.2	38.8	34.7	31.1	27.8	24.7	22.1	19.7	17.7	15.6	13.7	12	10.4	8.8	7.4	6	4.6	3.4	2.5	1.7	1	0.5	0.3	0.1	0.1	0
341	354.9	367.5	378.4	387.5	394.7	400.9	406.9	413.1	420.4	429	440	454	470.6	489.5	511.4	541	573.6	590	587.5						
575.9	558.4	529.3	466.1	338.3	200.7	156.4	157.9	147.6	115.1	96.2	80.7	68.5	58.8	51	45.3	40.8	36.9	33.2	29.9						
26.9	24	21.5	19.3	17.3	15.4	13.5	11.8	10.2	8.7	7.3	5.9	4.5	3.4	2.5	1.6	1	0.6	0.3	0.1	0.1	0				
341	355.3	368	379.3	388.8	396.5	402.6	408.4	414.5	421.6	430.2	441.6	456.3	473.5	493.2	516.7	548.7	585.4	604.8							
604.6	594.6	578.3	548.8	481	345.7	204.2	158.6	159.7	147.8	111.8	92.3	77.2	65.5	56.1	48.6	43	39	35.7	32.4	29.3					
26.5	23.7	21.3	19.2	17.2	15.3	13.5	11.8	10.2	8.7	7.3	5.9	4.6	3.5	2.5	1.7	1.1	0.6	0.3	0.1	0.1	0				
341	355.6	368.6	380.2	390.1	397.8	403.6	409.2	415.3	422.1	430.9	442.9	458.1	476.1	496.6	521.4	555.6	595.9								
619.8	622.7	614.5	599.2	569.3	499	359.9	213.4	161.7	160.9	148	109.7	89.6	74.3	63.1	54.1	47	41.7	38	35.1	32.2					
29.3	26.4	23.6	21.2	19.1	17.2	15.3	13.5	11.8	10.2	8.8	7.4	6.1	4.7	3.6	2.6	1.8	1.1	0.7	0.3	0.1	0.1	0			
341	355.8	369.1	381	390.9	398.5	404.2	409.6	415.7	422.6	431.7	444.2	459.8	478.3	499.6	525.4	561	604.7	633.9							
640.6	634.3	619.8	589.5	517.6	376.9	225.8	165.8	161.7	148.1	108.4	87.6	71.8	60.8	52.6	46.1	41.2	37.8	35.2							
32.5	29.7	26.8	24	21.5	19.3	17.4	15.6	13.7	12	10.4	8.9	7.6	6.4	5.2	3.9	2.9	2	1.3	0.8	0.4	0.2	0.1	0		
341	356.2	369.6	381.4	391.2	399	404.6	410	416.2	423.5	432.9	445.6	461.4	480.2	502.1	528.6	565.5	612.2	646.3							
657.1	653.1	639.7	609.6	537.8	398.2	242.7	171.6	162.5	148.5	108.7	87	70.3	59.2	51.4	45.6	41.3	38.2	35.8	33.2						
30.5	27.6	24.7	22.2	20	17.9	16	14.1	12.3	10.6	9.1	7.8	6.6	5.4	4.2	3.1	2.2	1.4	0.9	0.4	0.2	0.1	0			
341	356.2	370	381.6	391.6	399.4	405.1	410.4	416.9	424.5	434.1	446.6	462.4	481.5	503.9	531	568.6	617.6	656.9							
672.8	671.9	659.8	630.5	560.5	424	264.3	179.7	163.5	149.2	110.2	87.8	69.9	58.2	50.6	45.4	41.6	38.9	36.7	34.3						
31.7	28.8	26	23.3	21	18.9	16.8	14.7	12.9	11.1	9.5	8	6.8	5.5	4.3	3.2	2.3	1.5	0.9	0.5	0.2	0.1	0			
341	356.4	370.2	381.7	391.8	399.8	405.4	410.8	417.7	425.6	434.8	447.1	463	482.5	505.4	532.7	570.2	620.5	665.5							
687.3	689.4	678.5	650.2	583.1	452	290.2	190.8	165.4	150.4	113	90.2	70.9	58.3	50.7	45.7	42.3	40	37.9	35.7	33.1					
30.4	27.7	24.9	22.5	20.2	17.9	15.7	13.6	11.7	9.9	8.4	6.9	5.6	4.3	3.2	2.3	1.5	0.9	0.5	0.3	0.1	0				
341	356.6	370.2	381.8	392	400	405.6	411.4	418.4	426.1	435.1	447.3	463.3	483.2	506.4	533.8	570.9	621.9	671.6							
699.4	705.6	696.9	671.1	609.6	486.8	323.8	206.5	168.7	152.4	117.1	93.8	72.8	59.1	51.2	46.5	43.4	41.1	39.1	37						
34.6	32.1	29.5	26.8	24.2	21.6	19.1	16.6	14.3	12.4	10.5	8.8	7.2	5.8	4.4	3.3	2.4	1.6	1	0.6	0.3	0.1	0			
341	356.7	370.3	382	392.1	400.1	405.9	411.9	418.8	426	435.1	447.5	463.6	483.5	506.9	534.4	571.1	622	675.3							
709.5	720.7	714.9	692	635.8	520.8	358.1	223.7	173	154.7	121.1	97.6	75.1	59.9	51.7	47.3	44.4	42.2	40	38	35.8					
33.3	30.8	28.2	25.6	22.7	19.9	17.3	14.9	12.9	11	9.2	7.5	6	4.5	3.4	2.4	1.6	1	0.6	0.3	0.1	0				
341	356.8	370.3	382.1	392.2	400.2	406.1	412.2	418.6	425.7	434.7	447.3	463.4	483.3	506.8	534.3	570.2	620.2	676							
716.8	734	731.8	711.5	660.5	555.7	399	248.1	180.4	158.6	126.9	103.3	78.8	61.7	52.4	47.9	45.3	43	40.8	38.6						
36.5	34.1	31.7	29.2	26.6	23.5	20.7	18	15.6	13.4	11.5	9.7	8	6.3	4.7	3.6	2.6	1.7	1.1	0.6	0.2	0	0			
341	356.9	370.3	382.3	392.2	400	406.1	412.1	418.2	425.3	434.4	446.8	462.8	482.6	506.1	533.4	568	615.8	672.8							
720.7	745.7	748.4	732.2	688.8	599.4	456.7	291	197.1	165.8	135.7	112.7	86	65.8	54.5	49.2	46.3	44	41.6	39.3						

31.7 29.5 27.2 24.9 22.5 20.2 17.9 15.7 13.4 11.2 8.9 6.7 4.5 2.7 1.3 0.5 0.2 0.1 0.1 0
341 323.9 305.3 283.8 260.1 234.8 211.4 191.6 176.6 166.4 157.4 144.2 127.1 110.5 97.8 89.2 83.3 79.5 77 75.3
73.3 71.6 70.3 69.4 68.4 67.2 65.5 63.2 60.6 57.7 56.2 54.4 52.7 50.9 49 46.9 44.7 42.4 40.1 37.9 35.7 33.3
31.1 28.9 26.6 24.3 22 19.8 17.6 15.4 13.2 11 8.8 6.6 4.6 2.9 1.4 0.5 0.2 0.1 0.1 0
341 323.6 304.4 282.7 258.5 233.1 209.2 189.1 173.9 163.8 156.1 144.7 129 112.5 99.4 90.6 84.4 80.1 77.2 75.1
73.2 71.6 70.2 68.7 67.2 65.8 63.9 61.8 59.3 56.6 55.1 53.5 51.9 50.1 48.3 46.5 44.3 42.2 40 37.8 35.6 33.3
31.1 28.9 26.7 24.5 22.3 20.1 18 15.9 13.7 11.6 9.3 7.1 5.1 3.2 1.7 0.6 0.2 0.1 0.1 0
341 323.3 303.8 281.7 257.4 231.6 207.2 186.8 171.2 161 153.7 144.1 130.1 114.4 101.1 92.1 85.8 81 77.8 75.5
73.5 72 70.6 68.9 67.3 65.7 63.7 61.5 58.9 56.2 54.6 53.1 51.6 49.9 48.2 46.5 44.5 42.5 40.4 38.3 36.2 34
31.8 29.8 27.7 25.6 23.4 21.4 19.4 17.4 15.3 12.9 10.5 8 5.8 3.7 1.9 0.7 0.3 0.1 0.1 0
341 323.2 303.6 281 256.5 230.3 205.5 184.5 168.6 157.9 150.7 142.3 129.8 115.4 102.6 93.4 87 82.1 78.6 76.1
74.1 72.5 71.1 69.5 67.9 66.3 64.2 61.9 59.2 56.4 54.8 53.4 51.9 50.3 48.7 47 45.3 43.3 41.5 39.5 37.6 35.6
33.5 31.5 29.6 27.7 25.8 23.8 21.9 19.9 17.6 15.1 12.3 9.5 7 4.5 2.3 0.9 0.3 0.1 0.1 0
341 323 303.5 280.5 255.8 229.3 203.8 182.4 166 154.7 147.4 139.6 128.5 115.6 103.7 94.8 88.4 83.4 79.8 77.1
74.9 73.2 71.8 70.3 68.7 67.1 65.1 62.6 59.8 57 55.5 54 52.5 51.1 49.6 48 46.4 44.7 43.1 41.4 39.7 37.9 36.2
34.3 32.6 30.9 29.1 27.3 25.4 23.1 20.6 17.8 14.6 11.5 8.4 5.4 2.7 1 0.3 0.1 0.1 0
341 322.9 303.1 280 255.1 228.5 202.5 180.8 163.6 151.5 143.7 136.4 126.5 115.1 104.5 96.5 90.5 85.7 81.8
78.8 76.5 74.5 72.9 71.3 69.6 68 65.9 63.4 60.6 57.8 56.4 54.9 53.5 52.1 50.8 49.4 48 46.6 45.3 43.8 42.4
41.1 39.6 38.1 36.5 34.7 33.1 31.3 29.2 26.9 24.1 20.9 17.4 13.5 9.8 6.2 3 1.1 0.3 0.1 0.1 0
341 322.8 302.6 279.8 254.4 227.9 201.9 179.9 161.7 148.3 140 132.9 124.2 114.2 105.1 98 92.7 88.6 85.2 82.3
80 77.7 75.2 72.9 70.9 69 66.9 64.3 61.6 58.8 57.4 56 54.6 53.4 52.1 51 49.8 48.8 47.8 46.8 45.8 44.7 43.6
42.2 40.6 39 37.3 35.5 33.3 30.8 27.8 24.1 19.9 15.4 10.7 6.5 3 1 0.2 0.1 0.1 0
341 322.8 302.2 279.6 254 227.5 201.6 179.2 160.2 145.6 136.4 129.6 122 113.3 105.2 98.9 94.5 91.6 89.4 87.9
86.1 82.9 78.9 75.2 72.4 70.2 67.9 65.4 62.6 59.8 58.5 57.2 56 54.7 53.7 52.7 51.8 51 50.4 49.8 49.1 48.4
47.5 46.3 44.7 43 41.4 39.6 37.4 34.6 31.2 27.1 22.1 16.7 11.5 6.9 3 0.9 0.2 0.1 0.1 0
341 322.7 302.1 279.5 253.8 227.4 201.4 178.6 159.2 143.6 133.2 126.2 119.6 112.2 105.2 99.5 95.8 93.7 92.9
93 91.5 87.2 81.6 77.2 73.9 71.3 68.9 66.4 63.6 60.8 59.6 58.3 57.2 56.3 55.4 54.5 53.8 53.4 53.2 52.8 52.3
51.7 51.1 50 48.5 46.8 45.2 43.2 40.9 37.9 34 29.2 23.4 17.5 12 7.1 2.9 0.7 0.1 0 0
341 322.7 302.2 279.4 253.8 227.5 201.5 178.4 158.7 142.6 130.9 123.1 117.1 111 105.4 100.4 96.9 94.9 94.2
94.1 92 86.8 81.4 77.5 74.6 72 69.6 67.2 64.5 61.7 60.5 59.4 58.4 57.6 57 56.5 56.1 55.9 55.8 55.5 55.3 54.8
54.3 53.3 51.8 50 48.1 46.1 43.3 39.9 35.5 29.9 23.7 17.6 11.9 6.9 2.8 0.6 0.1 0 0
341 322.7 302.4 279.4 254 227.8 201.8 178.6 158.6 141.9 129.4 120.6 114.5 109.6 105.3 101.2 98 95.5 93.3 91.3
88 83.7 80 77.5 75.4 72.9 70.4 68 65.3 62.3 61.1 60.1 59.3 58.6 58.1 57.8 57.7 57.5 57.5 57.6 57.7 57.7 57.2
56.3 54.6 52.5 50.3 47.7 44.6 40.7 35.6 29.7 23.4 17.2 11.3 6.3 2.5 0.6 0.1 0 0
341 322.8 302.6 279.5 254.3 228.3 202.2 179.1 158.7 141.6 128.4 118.8 112.2 107.8 104.4 101.4 98.4 95.3 91.8
88.4 85.2 82.2 80 78.5 76.8 74.2 71.4 68.6 65.6 62.4 61.2 60.2 59.5 59 58.7 58.6 58.7 58.8 59.1 59.5 59.8
59.9 59.5 58.5 56.7 54.3 51.5 48.5 44.7 40.2 34.7 28.8 22.3 15.6 9.5 4.8 1.9 0.5 0.1 0 0
341 322.8 302.9 279.9 254.8 228.7 202.8 179.8 159.2 141.8 128.1 117.6 110.4 105.8 102.7 100.2 97.5 94.2 90.6
87.5 84.8 82.9 81.4 80.2 78.4 75.4 71.8 68.3 64.9 62 60.9 60 59.5 59.2 59.1 59.2 59.6 59.9 60.3 60.8 61.2
61.3 60.9 59.8 57.9 55.3 52 48.4 44 39.1 33.6 27.4 19.9 12.4 6.7 3.1 1.2 0.3 0 0
341 322.9 303.1 280.3 255.5 229.4 203.7 181.1 160.6 142.7 128.3 117.1 109.1 103.7 100.3 97.9 95.5 92.6 89.7
87.3 85.3 83.7 82.6 81.4 79.1 75.4 71.1 67.3 63.9 61.4 60.4 59.7 59.4 59.2 59.4 59.7 60.2 60.7 61.2 61.6 62
62 61.5 60.3 58.4 55.5 51.7 47.4 42.7 38 32.5 25.4 16.7 8.9 4.2 1.9 0.8 0.2 0 0
341 323.1 303.4 280.9 256.2 230.3 205.2 182.8 162.1 144 129.2 117.3 108.4 102 98 95.3 93.1 90.8 88.6 86.7
84.9 83.6 82.4 80.8 77.9 73.8 69.7 66 62.9 60.6 59.8 59.4 59.2 59.3 59.6 60 60.4 61 61.5 61.8 62 62 61.4 60.2
58.3 55.3 50.9 46.1 41.4 37 31.5 23.4 14 6.7 2.9 1.4 0.6 0.2 0 0
341 323.3 303.7 281.5 257.1 231.6 206.8 184 163.3 145.6 130.5 118 108.1 100.8 96.2 93.1 91 89.1 87.2 85.5
83.8 82.3 80.8 78.6 75.4 71.7 68.1 64.7 62 60 59.4 59.1 59.1 59.3 59.6 60 60.4 60.9 61.4 61.6 61.8 61.7 61.2
60.1 58.1 54.4 49.6 44.8 40.5 36.5 30.9 22.6 13.2 6.1 2.5 1.2 0.6 0.3 0 0
341 323.5 304.2 282.3 258.3 233 208.4 185.3 164.5 146.9 131.4 118.4 107.7 99.8 94.6 91.3 89.1 87.2 85.4 83.7
82.1 80.3 78.4 75.9 72.8 69.7 66.7 63.7 61.2 59.4 58.9 58.6 58.7 59 59.6 59.9 60.4 60.8 61 61.1 61.1
60.6 59.6 57.5 53.5 48.6 44.1 40.1 36 30.4 22.9 14.1 6.8 2.8 1.3 0.7 0.3 0.1 0 0
341 323.8 304.7 283.1 259.7 234.8 210.2 187 166.1 147.9 132 118.5 107.5 99.2 93.5 89.8 87.3 85.3 83.4 81.8
80.2 78.2 76.2 73.7 70.9 68.1 65.4 62.6 60.3 58.6 58 57.7 57.8 58 58.3 58.5 58.8 59.2 59.6 59.8 59.9 59.9
59.4 58 55.4 51.6 47.4 43.1 39 34.5 29.2 22.9 15.6 8.7 4.1 1.9 0.9 0.3 0.1 0 0
341 324.1 305.4 284.2 261.3 237 212.4 189.1 167.8 149.1 132.8 118.9 107.6 99.1 92.9 88.8 86.1 83.9 82.1 80.5
78.8 76.9 74.7 72.4 69.9 67.1 64.2 61.6 59.3 57.5 56.9 56.5 56.4 56.5 56.8 57.1 57.2 57.6 57.9 58.2 58.3 58.4
57.6 55.6 52.6 49.4 45.9 41.9 37.6 32.7 27.5 22.2 16.2 10.2 5.6 2.6 1.1 0.4 0.1 0 0
341 324.5 306.1 285.4 263 239.3 214.7 191.4 170 151 134.3 119.9 108.3 99.4 92.9 88.5 85.6 83.3 81.5 79.8 78.2
76.2 73.9 71.5 69 66.2 63.2 60.7 58.5 56.5 55.8 55.3 54.9 54.9 55.2 55.3 55.5 55.8 56.2 56.3 56.4 56.2 54.9
52.4 49.6 46.9 43.9 40.1 35.7 30.6 25.8 21 15.7 10.4 6.1 2.9 1.2 0.4 0.1 0 0
341 324.8 306.9 286.6 264.8 241.6 217.5 194.2 172.7 153.3 136.4 121.6 109.6 100.3 93.3 88.6 85.5 83.1 81.3
79.5 77.7 75.7 73.3 70.8 68 65.1 62.2 59.8 57.6 55.5 54.7 54 53.6 53.4 53.2 53.4 53.7 54 54.1 54 53.2
51.4 49 46.5 44.2 41.6 38.1 33.5 28.6 24 19.6 14.6 10 6 2.9 1.3 0.5 0.1 0 0
341 325.4 307.7 288 266.8 244.1 220.6 197.6 175.9 156 138.8 123.8 111.4 101.6 94.1 88.9 85.5 83 81.1 79.3
77.4 75.2 72.7 70 67.1 64.1 61.3 58.9 56.6 54.4 53.5 52.8 52.2 51.8 51.3 51.1 51.3 51.5 51.7 51.5 51 49.6
47.5 45.3 43.2 41.2 38.8 35.5 30.9 26.3 22.2 18 13.4 9.3 5.6 2.7 1.2 0.4 0.1 0 0
341 325.8 308.7 289.5 268.7 246.8 223.7 200.9 179.1 159.1 141.6 126.5 113.7 103.4 95.5 89.6 85.7 82.8 80.8 79
76.9 74.5 72.1 69.4 66.4 63.4 60.7 58.1 55.8 53.5 52.4 51.4 50.6 50 49.4 49.1 49 49 48.9 48.4 47.5 45.7 43.5
41.7 39.9 38 35.6 32.5 28.3 24.1 20.3 16.2 12.1 8.4 4.8 2.2 1.1 0.4 0.1 0 0
341 326.2 309.7 291 270.8 249.4 227.1 204.5 182.9 162.8 145.1 129.6 116.5 105.7 97.1 90.6 86 82.8 80.5 78.6
76.5 74.1 71.7 68.8 65.8 62.9 60.2 57.6 55.1 52.7 51.4 50.1 49 48.3 47.6 47 46.5 46.1 45.7 44.8 43.5 41.7
39.8 38.3 36.6 34.6 32.2 29.2 25.7 22 18.4 14.4 10.7 7.4 4.1 1.9 0.9 0.4 0.1 0 0
341 326.7 310.7 292.7 273 252.3 230.6 208.7 187.2 167.1 149 133.2 119.7 108.3 99.2 92 86.7 83 80.4 78.3 76.1
73.7 71.3 68.4 65.3 62.4 59.8 57.2 54.5 51.9 50.5 49.1 47.8 46.7 45.8 44.8 43.9 43.1 42.3 41.2 39.6 37.8 36.2
34.7 33.1 31.3 29 26.2 22.9 19.9 16.7 12.9 9.3 6.4 3.5 1.7 0.9 0.3 0.1 0 0
341 327.2 311.7 294.4 275.6 255.6 234.5 213 191.7 171.6 153.4 137.5 123.5 111.5 101.7 93.8 87.9 83.5 80.6
78.2 75.9 73.5 70.8 67.9 64.8 62 59.5 56.9 54 51.2 49.7 48.2 46.7 45.3 43.9 42.7 41.6 40.5 39.2 37.7 35.9
34.1 32.7 31.2 29.5 27.7 25.5 22.8 20.1 17.5 14.5 11.2 8.1 5.6 3.1 1.5 0.8 0.3 0 0
341 327.6 312.8 296.3 278.3 259 238.5 217.6 196.7 176.7 158.4 142 127.8 115.3 104.6 96.2 89.4 84.5 81 78.3
75.9 73.3 70.4 67.6 64.6 61.8 59.1 56.4 53.4 50.6 49 47.3 45.7 43.9 42.2 40.9 39.6 38.3 36.5 34.5 32.6 30.9
29.4 27.8 26.1 24.2 22.2 19.8 17.3 14.9 12.3 9.6 7.1 4.8 2.8 1.4 0.8 0.3 0 0
341 328.2 314 298.2 280.9 262.4 242.7 222.4 202 182.1 163.6 147 132.2 119.4 108.2 99 91.5 86 81.8 78.5 75.9
73.1 70.1 67.2 64.3 61.6 58.8 55.8 52.8 49.8 48.1 46.4 44.6 42.7 40.8 39.2 37.8 36.1 34 31.9 30 28.2 26.6
24.8 23 21.1 19.1 16.8 14.6 12.6 10.3 8.1 6 4.1 2.4 1.3 0.8 0.3 0 0
341 328.7 315.2 300.1 283.5 265.8 247.2 227.7 207.7 188 169.3 152.2 137.2 124 112.4 102.4 94.3 88 83.1 79.2
76 72.9 69.8 66.8 64 61.2 58.3 55.2 52.1 49 47.3 45.5 43.6 41.8 39.8 37.9 36.2 34.1 31.9 29.8 27.9 26.1 24.2
22.4 20.4 18.5 16.5 14.2 12.4 10.5 8.5 6.7 4.8 3.2 1.9 1.1 0.8 0.3 0 0
341 329.2 316.5 302.1 286.2 269.3 251.7 233 213.4 194 175.5 158.3 142.8 129.2 117.1 106.5 97.7 90.6 84.8 80.2
76.4 72.9 69.5 66.4 63.5 60.7 57.8 54.6 51.4 48.2 46.5 44.4 42.5 40.7 38.8 36.7 34.7 32.6 30.4 28.2 26.3 24.3
22.5 20.6 18.4 16.4 14.3 12.4 10.6 8.8 6.8 5.3 3.6 2.4 1.5 1 0.8 0.2 0 0
341 329.8 317.7 304 289 272.9 256.2 238.3 219.4 200.6 182.2 164.9 149.2 134.9 122.1 110.9 101.5 93.8 87.3
81.9 77.4 73.2 69.5 66.2 63.1 60.2 57.1 54 50.7 47.4 45.7 43.6 41.7 39.9 37.9 35.8 33.6 31.5 29.3 27.1 25.1
23 21.1 19.2 17 14.9 12.9 11 9.1 7.5 5.7 4.2 2.9 2.1 1.5 1 0.7 0.2 0.1 0 0
341 330.4 319 306.1 291.9 276.8 260.7 243.4 225.5 207.4 189.4 172.2 156 140.9 127.5 115.9 106.1 97.7 90.4
84.2 79.1 74.2 69.9 66.3 63 59.8 56.6 53.3 50 46.6 44.7 42.7 40.8 39 37 34.7 32.7 30.6 28.2 26.1 23.9 21.9 20
17.9 15.8 13.8 11.7 9.8 8 6.5 5.1 3.8 2.7 2 1.4 0.9 0.6 0.3 0.2 0.1 0.1 0

50.9 45.1 39.7 34.6 29.9 25.6 21.8 18.5 15.6 13 10.9 9.2 7.6 6.1 4.6 3.4 2.3 1.5 0.8 0.5 0.2 0.1 0.1 0
 341 352.8 363 372.4 380.7 387.2 392.8 397.4 401.9 407.5 414.4 422.9 432.8 443.8 455.7 468.4 481.4 490.9 490.3
 477.1 455.2 426.9 392 345.4 280.4 204.3 152 136 130.2 119.6 111.2 101.7 92 82.7 74.3 66.7 59.8 53.5 47.7 42.2
 37.4 32.8 28.6 24.7 21.3 18.2 15.4 13 10.9 9.2 7.6 6.1 4.6 3.4 2.4 1.5 0.9 0.5 0.2 0.1 0.1 0
 341 353.2 363.9 373.6 382 388.6 394.4 399.5 404.3 410 417.2 426.2 436.9 449.1 462.3 476.9 492.7 505.5 507.1
 494.9 474.1 447.4 413.4 365.2 291.5 204.3 152 139.5 133.7 120.2 110 99 88.2 78.3 69.8 62.3 55.9 49.9 44.3
 39.3 34.8 30.7 27 23.5 20.4 17.5 14.9 12.7 10.8 9.1 7.5 6.1 4.6 3.4 2.4 1.5 0.9 0.5 0.2 0.1 0.1 0
 341 353.5 364.7 374.7 383.2 389.9 395.9 401.3 406.6 412.6 420 429.3 440.8 454 468.4 484.6 503.5 519.7 523.5
 512.8 493.4 468.4 435.7 384.7 300.2 201.7 151.8 143.4 137 119.9 107.9 95.5 83.8 73.6 65.4 58.2 52 46.6 41.4
 36.7 32.5 28.7 25.4 22.2 19.4 16.8 14.4 12.5 10.7 9 7.5 6.1 4.6 3.4 2.4 1.6 0.9 0.5 0.2 0.1 0.1 0
 341 353.9 365.6 375.8 384.3 391 397.1 402.8 408.5 415.1 422.8 432.5 444.6 458.9 474.4 492.2 514 533.8 540 531
 513.2 490 458.3 404 307.1 197.6 151.9 147.4 139.9 118.8 104.6 90.9 79 68.8 60.8 54.1 48.4 43.1 38.4 34 30.2
 26.7 23.6 20.8 18.4 16 13.9 12.2 10.4 8.8 7.4 6 4.5 3.4 2.4 1.5 0.9 0.5 0.2 0.1 0.1 0
 341 354.3 366.3 376.7 385.4 392.1 398.2 403.9 410 416.9 425.1 435.4 448.2 463.3 480.1 499.4 524 547.9 557.2
 550.2 534.4 513.3 482.8 425.9 317.3 196.4 152.8 151.5 143.2 118.3 102.1 87.3 75.1 64.9 57.2 50.7 45.4 40.5
 36.1 32.1 28.6 25.4 22.5 20 17.8 15.7 13.7 12 10.3 8.8 7.4 6 4.5 3.4 2.4 1.6 1 0.5 0.3 0.1 0.1 0
 341 354.6 366.9 377.6 386.3 393.2 399.3 405.3 411.4 418.5 427 437.8 451.3 467.3 485.1 505.8 532.9 561.3 574.1
 569.5 556.1 537.1 508 449.1 331.1 199.4 154.6 155.3 146.8 118.3 100.3 84.7 72.3 62.3 54.4 48.2 43.2 38.8 34.7
 31.1 27.8 24.7 22.1 19.7 17.7 15.6 13.7 12 10.4 8.8 7.4 6 4.6 3.4 2.5 1.7 1 0.5 0.3 0.1 0.1 0

