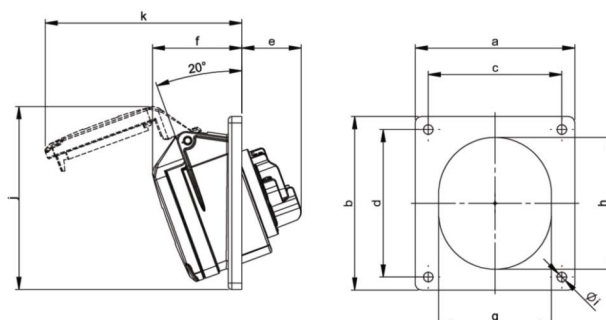


PCE data sheet

article#	415-1f9
article description	CEE-flanged socket sloping (92x100mm) 16A 5p 1h IP44/IP54
description long	CEE-flanged socket sloping (92x100mm) 16A5p 1h IP44/IP54 housing material: PA6 rated current: 16A number of poles: 5 (3P+N+PE) clock-position: 1h rated voltage/frequency: >50V / others contacts: brass connection technology: screw terminals dimensions (flange/fixing center): 92x100 mm / 77x85 mm IP protection class: IP44/IP54
country of origin	AT
customs number	85366990
packaging quantity	10
minimum order quantity	10

ETIM 8.0	EC001317
IEC-amperage	16 A
Voltage acc. EN 60309-2	Other
Number of poles	5
Clock hour position	1 h
Identification colour	Grey
Degree of protection (IP)	IP44
Connection system	Screwed terminal
Angle of plug	Angled
Material	Plastic
Contact material	CuZn
Surface finish contacts	Untreated
Flange size vertical	100 mm
Drill hole distance vertical	85 mm
Flange size horizontal	92 mm
Drill hole distance horizontal	77 mm

wire flexible	1-2,5 mm ²
wire solid	1-4 mm ²
contact screws	100 Ncm
dismantling length	50 mm
stripping length	10-12 mm



<https://www.pcelectric.at/shop/en/?func=detail&artnr=415-1f9>



www.manufacturer-safety.info