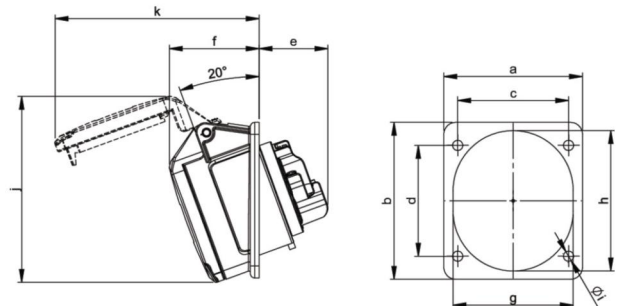
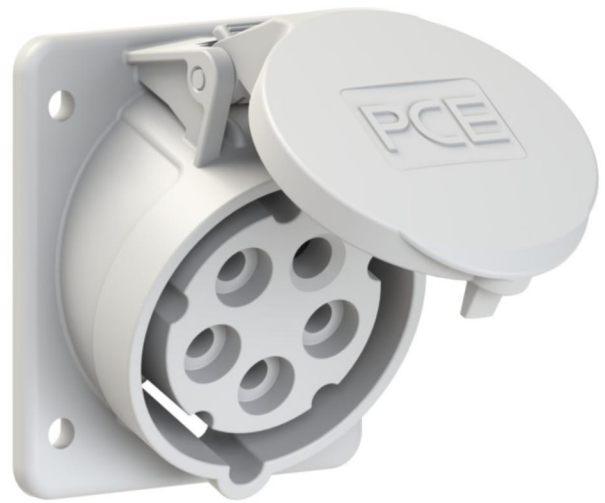


PCE data sheet

article#	415-1f87v
article description	CEE-flanged socket sloping (75x85mm) 16A 5p 1h IP44/IP54
description long	CEE-flanged socket sloping (75x85mm) 16A 5p 1h IP44/IP54 housing material: PA6 rated current: 16A number of poles: 5 (3P+N+PE) clock-position: 1h rated voltage/frequency: >50V / others contacts: brass nickel plated connection technology: screw terminals dimensions (flange/fixing center): 75x85 mm / 60x60 mm IP protection class: IP44/IP54
country of origin	AT
customs number	85366990
packaging quantity	10
minimum order quantity	10

ETIM 8.0	EC001317
IEC-amperage	16 A
Voltage acc. EN 60309-2	Other
Number of poles	5
Clock hour position	1 h
Identification colour	Grey
Degree of protection (IP)	IP44
Connection system	Screwed terminal
Angle of plug	Angled
Material	Plastic
Contact material	CuZn
Surface finish contacts	Nickel-plated
Flange size vertical	85 mm
Drill hole distance vertical	60 mm
Flange size horizontal	75 mm
Drill hole distance horizontal	60 mm

wire flexible	1-2,5 mm ²
wire solid	1-4 mm ²
contact screws	100 Ncm
dismantling length	50 mm
stripping length	10-12 mm



<https://www.pcelectric.at/shop/en/?func=detail&artnr=415-1f87v>



www.manufacturer-safety.info