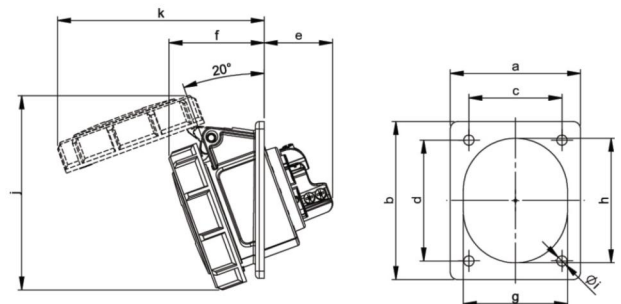


## PCE data sheet

|                        |  |
|------------------------|--|
| article#               | <b>4142-1f78v</b>  |
| article description    | <b>CEE-flanged socket sloping (70x85mm) 16A 4p 1h IP67</b>   |
| description long       | CEE-flanged socket sloping (70x85mm) 16A 4p 1h IP67<br>housing material: PA6<br>rated current: 16A<br>number of poles: 4 (3P+PE)<br>clock-position: 1h<br>rated voltage/frequency: >50V / others<br>contacts: brass nickel plated<br>connection technology: screw terminals<br>dimensions (flange/fixing center): 70x85 mm / 50x65 mm<br>IP protection class: IP67 |
| country of origin      | AT   |
| customs number         | 85366990   |
| packaging quantity     | 10   |
| minimum order quantity | 10   |

|                                |                  |
|--------------------------------|------------------|
| ETIM 8.0                       | EC001317         |
| IEC-amperage                   | 16 A             |
| Voltage acc. EN 60309-2        | Other            |
| Number of poles                | 4                |
| Clock hour position            | 1 h              |
| Identification colour          | Grey             |
| Degree of protection (IP)      | IP67             |
| Connection system              | Screwed terminal |
| Angle of plug                  | Angled           |
| Material                       | Plastic          |
| Contact material               | CuZn             |
| Surface finish contacts        | Nickel-plated    |
| Flange size vertical           | 85 mm            |
| Drill hole distance vertical   | 65 mm            |
| Flange size horizontal         | 70 mm            |
| Drill hole distance horizontal | 50 mm            |

|                    |                       |
|--------------------|-----------------------|
| wire flexible      | 1-2,5 mm <sup>2</sup> |
| wire solid         | 1-4 mm <sup>2</sup>   |
| contact screws     | 100 Ncm               |
| dismantling length | 50 mm                 |
| stripping length   | 10-12 mm              |



<https://www.pcelectric.at/shop/en/?func=detail&artnr=4142-1f78v>



[www.manufacturer-safety.info](http://www.manufacturer-safety.info)