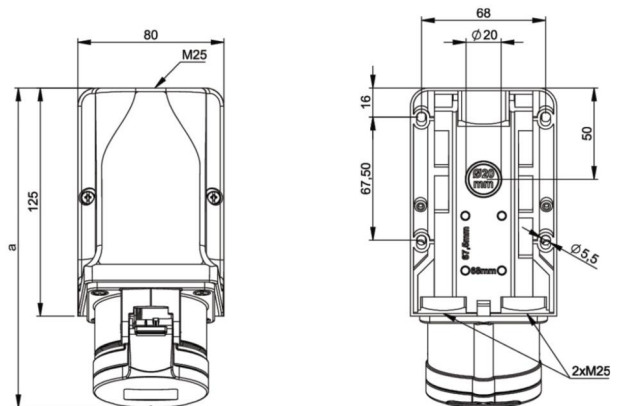


PCE data sheet

article#	923-1w
article description	CEE-wall mounted socket wiring through 32A 3p 1h IP44
description long	CEE-wall mounted socket wiring through 32A 3p 1h IP44 housing material: PA6 rated current: 32A number of poles: 3 (2P+PE) clock-position: 1h rated voltage/frequency: >50V / others contacts: brass connection technology: screw terminals cable entry: top, 2x bottom, rear inc. threaded cable grommet housing for wiring through incl. terminals (3p) not wired IP protection class: IP44
country of origin	AT
customs number	85366990
packaging quantity	5
minimum order quantity	5

ETIM 8.0	EC001321
Model	Surface mounted (plaster)
IEC-amperage	32 A
Number of poles	3
Voltage acc. EN 60309-2	Other
Clock hour position	1 h
Identification colour	Grey
Degree of protection (IP)	IP44
Connection system	Screwed terminal
Cable entry	Swivel
Material	Plastic
Contact material	CuZn
Surface finish contacts	Untreated

wire flexible	2,5-6 mm ²
wire solid	2,5-10 mm ²
contact screws	110 Ncm
dismantling length	50 mm
stripping length	12-14 mm



b=Höhe/height
Neigung/angle=15°



<https://www.pcelectric.at/shop/en/?func=detail&artnr=923-1w>



www.manufacturer-safety.info