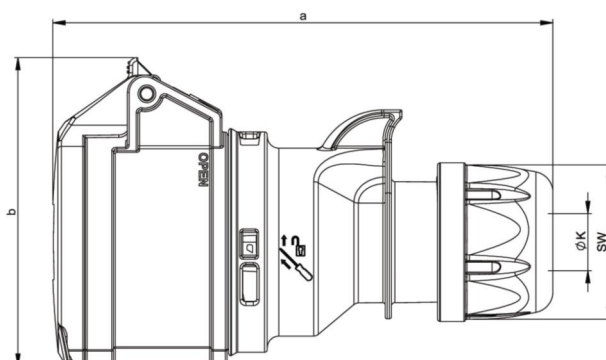


## PCE data sheet

article#	<b>2139-6</b>
article description	<b>CEE-connector 20A 2P3W 6h IP44 UL</b>
description long	CEE-connector 20A 2P3W 6h IP44 UL (PCE320C6S) housing material: PA6 rated current: 16A/20A number of poles: 2P3W (3p) clock position: 6h rated voltage: 250Vac contacts: brass connection technology: screw terminals IP protection class: IP44
GTIN (EAN)	9003399143878
country of origin	AT
customs number	85366990
net weight	0.134 kg
packaging quantity	10

ETIM 7.0	EC001320
IEC-amperage	16 A
Amperage acc. UL/CSA (for UL-version)	20 A
Number of poles	3
Clock hour position	6 h
Identification colour	Blue
Degree of protection (IP)	IP44
Connection system	Screwed terminal
Angle of plug	Straight
Cable entry	Swivel
Material	Plastic
Contact material	CuZn
Surface finish contacts	Untreated

a	133 mm
b	74 mm
K (cable Ø)	9-15 mm
SW	42 mm
wire flexible	1-2,5 mm <sup>2</sup>
contact screws	100 Ncm
strain relief	500 Ncm
dismantling length	50 mm
stripping length	10-12 mm



[www.manufacturer-safety.info](http://www.manufacturer-safety.info)