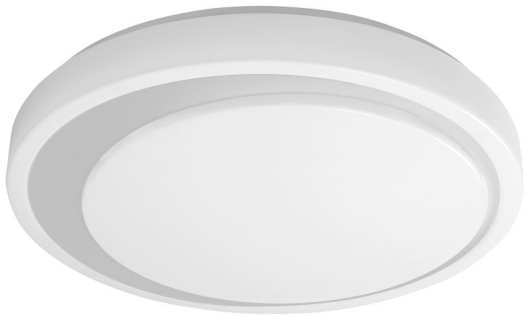


# PRODUCT DATASHEET

## SMART + WIFI ORBIS Moon 480 GR

SMART+ TUNABLE WHITE | Decorative ceiling luminaires with WiFi technology



---

### AREAS OF APPLICATION

- Indoor applications
- Kitchens, living rooms, children's rooms or home offices

---

### PRODUCT BENEFITS

- Easy and quick installation

---

### PRODUCT FEATURES

- Controllable via LEDVANCE SMART+ WiFi App (with minimum Android 4.4 or iOS 9.0)
- Controllable via voice control available: Google Assistant or Amazon Alexa
- Adjustable color temperature via Tunable White: 3,000...6,500 K
- Dimmable
- Network protocol: WiFi



**TECHNICAL DATA**

Electrical data

Nominal wattage	32.00 W
Nominal voltage	220...240 V
Nominal current	0.15 A
Mains frequency	50/60 Hz
Operating mode	Mains voltage

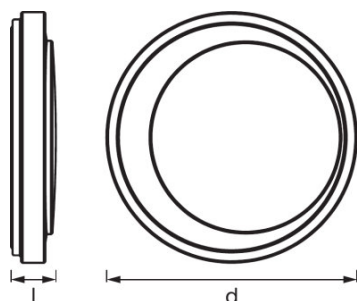
Photometrical data

Color temperature	3000...6500 K
Color rendering index Ra	>80
Light color (designation)	Tunable White
Luminous efficacy	103 lm/W
Luminous flux	3300 lm

Light technical data

Beam angle	110 °
------------	-------

Dimensions & weight



Product weight	1309.00 g
Height	86.0 mm
Diameter	480.0 mm

Colors & materials

Product color	Gray
Body material	Polymethylmethacrylate (PMMA)
Cover material	Polymethyl methacrylate (PMMA)
Housing color	Gray

## Temperatures &amp; operating conditions

<b>Ambient temperature range</b>	-20...+40 °C
----------------------------------	--------------

## Lifespan

<b>Number of switching cycles</b>	15000
-----------------------------------	-------

## Additional product data

<b>Product remark</b>	Reset settings to default by switching the product on for three seconds and off for three seconds and repeating this five times.
<b>Mounting location</b>	Ceiling
<b>Mounting type</b>	Surface

## Capabilities

<b>Dimmable</b>	Yes
<b>Type of connection</b>	Screw terminal
<b>Compatible smart home technology</b>	Google Assistant / Amazon Alexa

## Certificates &amp; standards

<b>Standards</b>	CE/EAC/REACH/RoHS
<b>Protection class</b>	I
<b>Type of protection</b>	IP20

## EQUIPMENT / ACCESSORIES

- Mounting bracket included
- Mounting screws and dowels included
- Control via app or voice control requires compatible Smart home system
- For control via LEDVANCE SMART + WiFi App, a smart phone or Tablet PC is required

## LOGISTICAL DATA

Product code	Packaging unit (Pieces/Unit)	Dimensions (length x width x height)	Gross weight	Volume
4058075486423	Folding carton box 1	542 mm x 118 mm x 544 mm	1775.00 g	34.79 dm <sup>3</sup>
4058075516557	Shipping carton box 3	564 mm x 373 mm x 567 mm	6626.00 g	119.28 dm <sup>3</sup>

The mentioned product code describes the smallest quantity unit which can be ordered. One shipping unit can contain one or more single products. When placing an order, for the quantity please enter single or multiples of a shipping unit.

## DISCLAIMER

Subject to change without notice. Errors and omission excepted. Always make sure to use the most recent release.