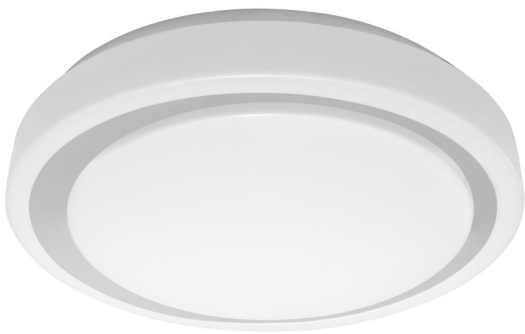


PRODUCT DATASHEET

SMART + WIFI ORBIS Moon 380 GR

SMART+ TUNABLE WHITE | Decorative ceiling luminaires with WiFi technology



AREAS OF APPLICATION

- Indoor applications
- Kitchens, living rooms, children's rooms or home offices

PRODUCT BENEFITS

- Easy and quick installation

PRODUCT FEATURES

- Controllable via LEDVANCE SMART+ WiFi App (with minimum Android 4.4 or iOS 9.0)
- Controllable via voice control available: Google Assistant or Amazon Alexa
- Adjustable color temperature via Tunable White: 3,000...6,500 K
- Dimmable
- Network protocol: WiFi



TECHNICAL DATA

Electrical data

Nominal wattage	24.00 W
Nominal voltage	220...240 V
Nominal current	0.128 A
Mains frequency	50/60 Hz
Operating mode	Mains voltage

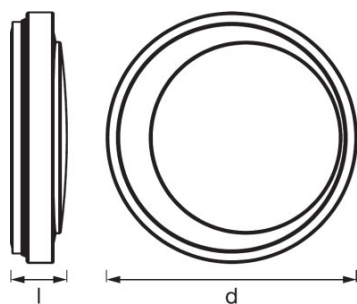
Photometrical data

Color temperature	3000...6500 K
Color rendering index Ra	>80
Light color (designation)	Tunable White
Luminous efficacy	104 lm/W
Luminous flux	2500 lm

Light technical data

Beam angle	110 °
------------	-------

Dimensions & weight



Product weight	801.00 g
Height	85.0 mm
Diameter	380.0 mm

Colors & materials

Product color	Gray
Body material	Polymethylmethacrylate (PMMA)
Cover material	Polymethyl methacrylate (PMMA)
Housing color	Gray

Temperatures & operating conditions

Ambient temperature range	-20...+40 °C
----------------------------------	--------------

Lifespan

Number of switching cycles	15000
-----------------------------------	-------

Additional product data

Product remark	Reset settings to default by switching the product on for three seconds and off for three seconds and repeating this five times.
Mounting location	Ceiling
Mounting type	Surface

Capabilities

Dimmable	Yes
Type of connection	Screw terminal
Compatible smart home technology	Google Assistant / Amazon Alexa

Certificates & standards

Standards	CE/EAC/REACH/RoHS
Protection class	I
Type of protection	IP20

EQUIPMENT / ACCESSORIES

- Mounting bracket included
- Mounting screws and dowels included
- Control via app or voice control requires compatible Smart home system
- For control via LEDVANCE SMART + WiFi App, a smart phone or Tablet PC is required

LOGISTICAL DATA

Product code	Packaging unit (Pieces/Unit)	Dimensions (length x width x height)	Gross weight	Volume
4058075486409	Folding carton box 1	452 mm x 102 mm x 454 mm	1131.00 g	20.93 dm ³
4058075516540	Shipping carton box 3	474 mm x 325 mm x 477 mm	4543.00 g	73.48 dm ³

The mentioned product code describes the smallest quantity unit which can be ordered. One shipping unit can contain one or more single products. When placing an order, for the quantity please enter single or multiples of a shipping unit.

DISCLAIMER

Subject to change without notice. Errors and omission excepted. Always make sure to use the most recent release.