

PRODUCT DATASHEET

SMART + WIFI ORBIS Eye 490 GR

SMART+ TUNABLE WHITE | Decorative ceiling luminaires with WiFi technology



AREAS OF APPLICATION

- Indoor applications
- Kitchens, living rooms, children's rooms or home offices

PRODUCT BENEFITS

- Easy and quick installation

PRODUCT FEATURES

- Controllable via LEDVANCE SMART+ WiFi App (with minimum Android 4.4 or iOS 9.0)
- Controllable via voice control available: Google Assistant or Amazon Alexa
- Adjustable color temperature via Tunable White: 3,000...6,500 K
- Dimmable
- Network protocol: WiFi



TECHNICAL DATA

Electrical data

Nominal wattage	32.00 W
Nominal voltage	220...240 V
Nominal current	0.15 A
Mains frequency	50/60 Hz
Operating mode	Mains voltage

Photometrical data

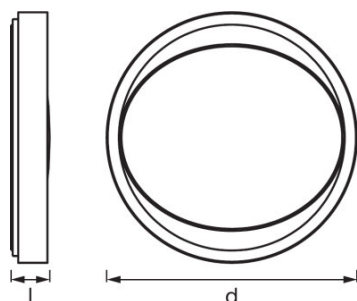
Color temperature	3000...6500 K
Color rendering index Ra	>80
Light color (designation)	Tunable White
Luminous efficacy	103 lm/W
Luminous flux	3300 lm

Light technical data

Beam angle	110 ° 1)
------------	----------

¹⁾ ZMP_110132

Dimensions & weight



Product weight	1920.00 g
Height	75.5 mm
Diameter	490.0 mm

Colors & materials

Product color	Gray
Body material	Polymethylmethacrylate (PMMA)
Cover material	Polymethyl methacrylate (PMMA)
Housing color	Gray

Temperatures & operating conditions

Ambient temperature range	-20...+40 °C
----------------------------------	--------------

Lifespan

Number of switching cycles	15000
-----------------------------------	-------

Additional product data

Product remark	Reset settings to default by switching the product on for three seconds and off for three seconds and repeating this five times.
Mounting location	Ceiling
Mounting type	Surface

Capabilities

Dimmable	Yes
Type of connection	Screw terminal
Compatible smart home technology	Google Assistant / Amazon Alexa

Certificates & standards

Standards	CE/EAC/REACH/RoHS
Protection class	I
Type of protection	IP20

EQUIPMENT / ACCESSORIES

- Mounting bracket included
- Mounting screws and dowels included
- Control via app or voice control requires compatible Smart home system
- For control via LEDVANCE SMART + WiFi App, a smart phone or Tablet PC is required

LOGISTICAL DATA

Product code	Packaging unit (Pieces/Unit)	Dimensions (length x width x height)	Gross weight	Volume
4058075486546	Folding carton box 1	512 mm x 92 mm x 514 mm	2312.00 g	24.21 dm ³
4058075516618	Shipping carton box 3	534 mm x 295 mm x 537 mm	7915.00 g	84.59 dm ³

The mentioned product code describes the smallest quantity unit which can be ordered. One shipping unit can contain one or more single products. When placing an order, for the quantity please enter single or multiples of a shipping unit.

DISCLAIMER

Subject to change without notice. Errors and omission excepted. Always make sure to use the most recent release.