

MASTER VALUE LEDs pot LV



MASTER LED SPOT VLE D 7.5-50W MR16 940 36D

Philips MASTER VALUE MR16 is the series of Low Voltage (12 VAC) Halogen MR16 replacements. Not only does it employ Philips' patented solution to guarantee the broadest possible compatibility with standard 12 V Halogen electronic transformers, it also delivers beam intensity which is equivalent to the 50 W Philips Halogen MR16 lamps. The form-factor of Philips MASTER Value LED MR16 guarantees a 100% form on the back-side of the lamp (exact fit with Halogen lamps.)

Warnings and Safety

- Operating temperature range is between -20° C and 45° C ambient
- Only to apply in dry or damp locations and most of open fixtures with lamp-holders that offer sufficient space (10 mm free air space)
- Not intended for use with emergency light fixtures or exit lights

Product data

General information	
Cap base	GU5.3 [GU5.3]
EU RoHS compliant	Yes
Nominal lifetime (nom.)	25000 h
	Narrow Cone

Light technical	
Colour Code	940 [CCT of 4,000 K]
Beam Angle (Nom)	36°
Luminous flux (nom.)	660 lm
Luminous intensity (nom.)	1500 cd
Colour designation	Cool White (CW)
Correlated Colour Temperature (Nom)	4000 K

Luminous efficacy (rated) (nom.)	88.00 lm/W
Colour consistency	<6
Colour rendering index (nom.)	90
LLMF at end of nominal lifetime (nom.)	70 %
Luminous flux in 90° cone (rated)	660 lm

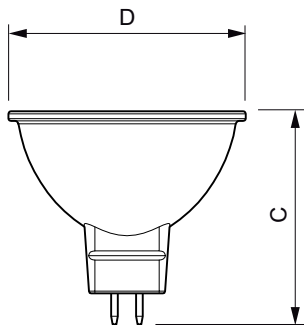
Operating and electrical	
Input frequency	- Hz
Power (Rated) (Nom)	7.5 W
Lamp current (nom.)	660 mA
Wattage equivalent	50 W
Starting time (nom.)	0.5 s
Warm-up time to 60% light (nom.)	0.5 s

MASTER VALUE LEDspot LV

Power factor (nom.)	0.7
Voltage (Nom)	ac electronic 12 V
Temperature	
T-Case maximum (nom.)	95 °C
Controls and dimming	
Dimmable	Only with specific dimmers
Mechanical and housing	
Bulb shape	MR16 [2inch/50mm]
Approval and application	
Energy Efficiency Class	F
Suitable for accent lighting	Yes

Energy consumption kWh/1,000 hours	8 kWh
	453182
Product data	
Full product code	871951430736000
Order product name	MASTER LED SPOT VLE D 7.5-50W MR16 940 36D
EAN/UPC – product	8719514307360
Order code	30736000
SAP numerator – quantity per pack	1
Numerator – packs per outer box	10
SAP material	929002493402
Net Weight (Piece)	0.045 kg

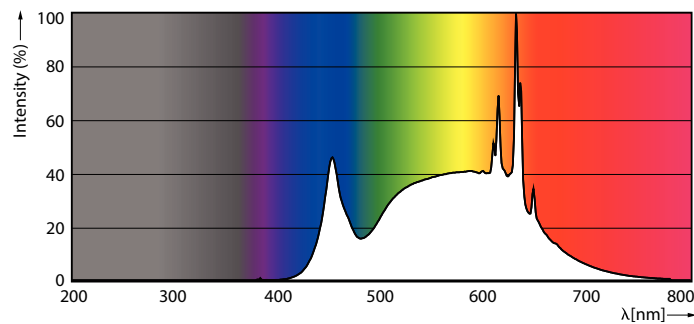
Dimensional drawing



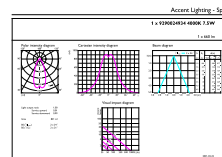
MASTER LED SPOT VLE D 7.5-50W MR16 940 36D

Product	D	C
MASTER LED SPOT VLE D 7.5-50W MR16 940 36D	50.5 mm	45.5 mm

Photometric data



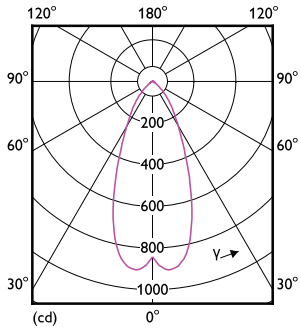
LEDspots MAS 7,5W MR16 GU5,3 940 36D



LEDspots MAS 7,5W MR16 GU5,3 940 36D

MASTER VALUE LEDspot LV

Photometric data



LEDspots MAS 7,5W MR16 GU5,3 940 36D

Lifetime



Life Expectancy Diagram



Lumen Maintenance Diagram

