

## Description

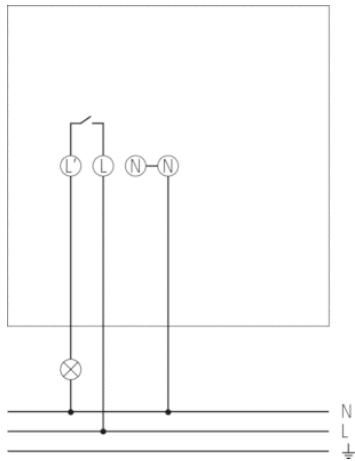


- Motion detector (PIR)
- Automatic lighting control based on presence and brightness
- 1 channel, with acoustic function
- Activation by the PIR sensor and deactivation by the microphone (microphone can also be deactivated)
- Flexible installation options, ceiling installation using clamping brackets as well as flush-mounted or surface mounting using the optional surface frame
- Mixed light measurement suitable for the control of fluorescent, incandescent and halogen lamps
- Zero-cross switching
- Detection area can be limited using three enclosed segments
- Instant start-up possible via factory preset
- No unintentional adjustment due to covered up controls
- Adjustable brightness switching value and switch-off delay
- Sensitivity can be reduced to limit detection area
- Pulse function
- Test function

## Technical data

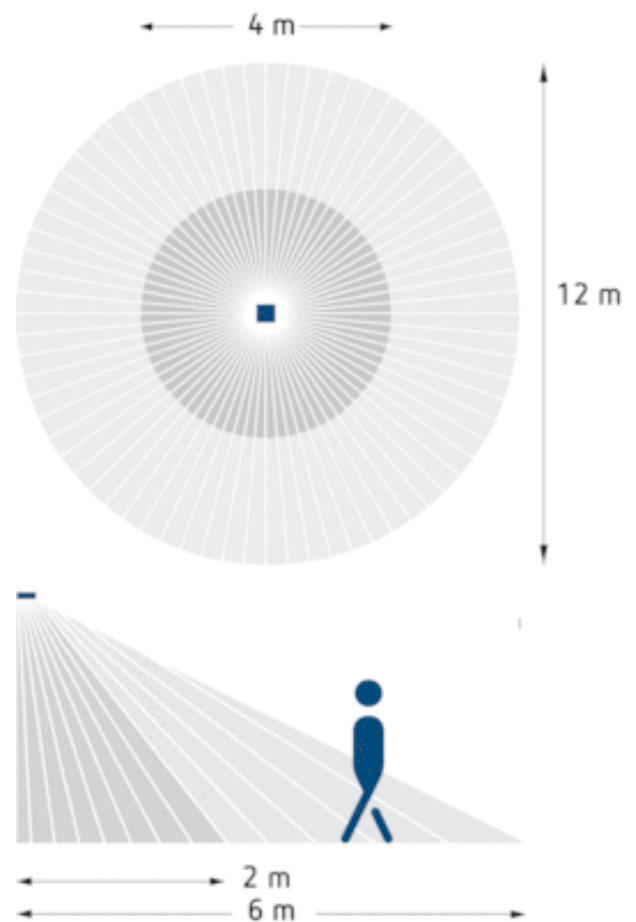
Operating voltage	230 V AC
Frequency	50 – 60 Hz
Stand-by consumption	~0,5 W
Light measurement	Mixed light measurement
Number of channels	1
Colour	White
Switching output	Light
Installation type	Ceiling installation
Setting range brightness	10 – 2000 lx
Detection angle	360°
Installation height	2,5 – 3 m
Light switch-off delay	5s-30 min
Incandescent lamp load	2000 W
Fluorescent lamp load (conventional) parallel-corrected	900 VA 100 µF
LED lamp < 2 W	35 W
LED lamp 2-8 W	400 W
LED lamp > 8 W	400 W
Lamps	Incandescent/halogen lamps, fluorescent lamps, Energy saving lamps, LEDs
Detection range	113 m <sup>2</sup> (ø 12 m   360°)
Remote controlled	–
Ambient temperature	-20 °C ... +45 °C
Protection class	II
Type of protection	IP 40 (when fitted)

**Connection example**



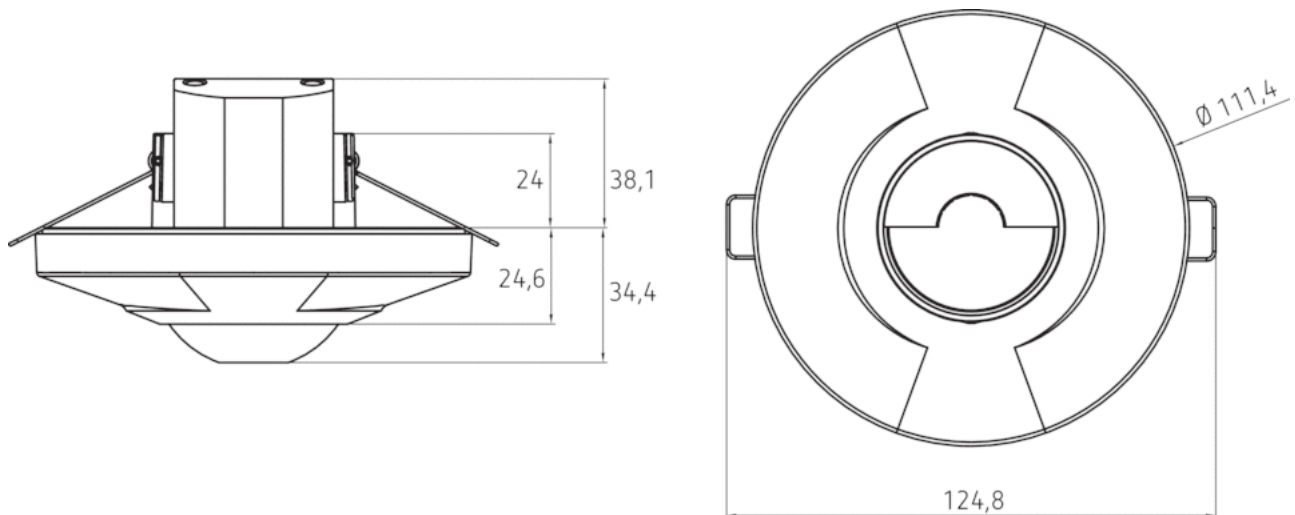
**Detection range**

Mounting height (A)	Head on to (r)	Diagonally (t)
2,5 m	4 m	12 m



Article number: 1030045

### Scale drawings



### Accessories

#### Surface frame LUXA 103-100 U

- Article number: 9070986  
Details ▶ [www.theben.de](http://www.theben.de)



### Product selection

Channel	Detection angle	Colour	Type	Article number
Light	360°	White	LUXA 103-100 UA WH	