



Coreline tempo small

BVP110 LED42/NW A

40 pcs - LED module 4200 lm

CoreLine tempo small is a highly efficient range of luminaires designed for 1:1 retrofit replacement of conventional technology, while retaining the same electrical installation and poles. It offers lower power consumption and requires less investment than conventional installations. A limited range of options makes it easy to find the best lux-for-lux replacement.;The easy-to-install CoreLie tempo small offers a system flux that covers many different application areas and it comes with both high-performance asymmetrical and symmetrical optics.

Product data

General Information	
Number of light sources	40 pcs
Lamp family code	LED42 [LED module 4200 lm]
Light source color	Neutral white
Light source replaceable	No
Number of gear units	1 unit
Driver/power unit/transformer	Power supply unit
Driver included	Yes
Optical cover/lens type	Flat glass
Luminaire light beam spread	39° x 96°
Connection	External connector
Cable	Cable 0.5 m with cable connector
Protection class IEC	Safety class I
Standard RAL color	Gray aluminum
Glow-wire test	Temperature 650 °C, duration 30 s
Flammability mark	For mounting on normally flammable surfaces
CE mark	CE mark
ENEC mark	-

UL mark	-
Warranty period	3 years
Optic type outdoor	Asymmetrical
Remarks	*-Per Lighting Europe guidance paper "Evaluating performance of LED based luminaires - January 2018": statistically there is no relevant difference in lumen maintenance between B50 and for example B10. Therefore the median useful life (B50) value also represents the B10 value.
Constant light output	No
Spare parts available	Yes
Number of products on MCB of 16 A type B	95
Lifecycle services	Support services
Photobiological risk	Risk group 1
RoHS mark	RoHS mark
WEEE mark	-

Coreline tempo small

Light source engine type	LED
Light Technical	
Luminous flux at dimming	4200 lm
Upward light output ratio	88
Initial luminous flux at 25 °C	4200 lm
Standard tilt angle posttop	0°
Standard tilt angle side entry	0°
Operating and Electrical	
Input Voltage	220 to 240 V
Input Frequency	50 to 60 Hz
Inrush current	5 A
Inrush time	0.06 ms
Driver current	700 mA
Power Factor (Min)	0,98
Power Factor (Nom)	>0,9
Controls and Dimming	
Dimmable	No
Mechanical and Housing	
Housing Material	Aluminum die-cast
Reflector material	Acrylate
Optic material	Acrylate
Optical cover/lens material	Glass
Fixation material	Aluminum
Mounting device	Mounting bracket adjustable
Optical cover/lens shape	Flat
Optical cover/lens finish	Clear
Overall length	285 mm
Overall width	254 mm
Overall height	52 mm
Effective projected area	0.052 m ²
Approval and Application	
Ingress protection code	IP65 [Dust penetration-protected, jet-proof]

Mech. impact protection code	IK08 [5 J vandal-protected]
Surge Protection (Common/Differential)	Luminaire surge protection level until 10 kV differential mode and 10 kV common mode

Initial Performance (IEC Compliant)

Initial luminous flux (system flux)	4200 lm
Luminous flux tolerance	+/-10%
Initial LED luminaire efficacy	111 lm/W
Init. Corr. Color Temperature	4000 K
Init. Color Rendering Index	80
Initial chromaticity	(0.374, 0.369) SDCM <5
Initial input power	38 W
Power consumption tolerance	+/-10%

Over Time Performance (IEC Compliant)

Control gear failure rate at median useful life	7.5 %
75000 h	
Lumen maintenance at median useful life*	L80
75000 h	

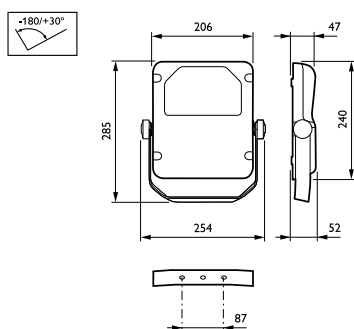
Application Conditions

Ambient temperature range	-40 to +35 °C
Performance ambient temperature Tq	25 °C

Product Data

Full product code	871016330635300
Order product name	BVP110 LED42/NW A
EAN/UPC - Product	8710163306353
Order code	911401555231
Numerator - Quantity Per Pack	1
Numerator - Packs per outer box	1
Material Nr. (12NC)	911401555231
Net Weight (Piece)	2.500 kg

Dimensional drawing



CoreLine Tempo BVP110/120

Coreline tempo small

